

SPARE PART CATALOGUE

SANGO advanced RWD SEGO
SANGO advanced FWD SEGO
SANGO advanced MWD SEGO

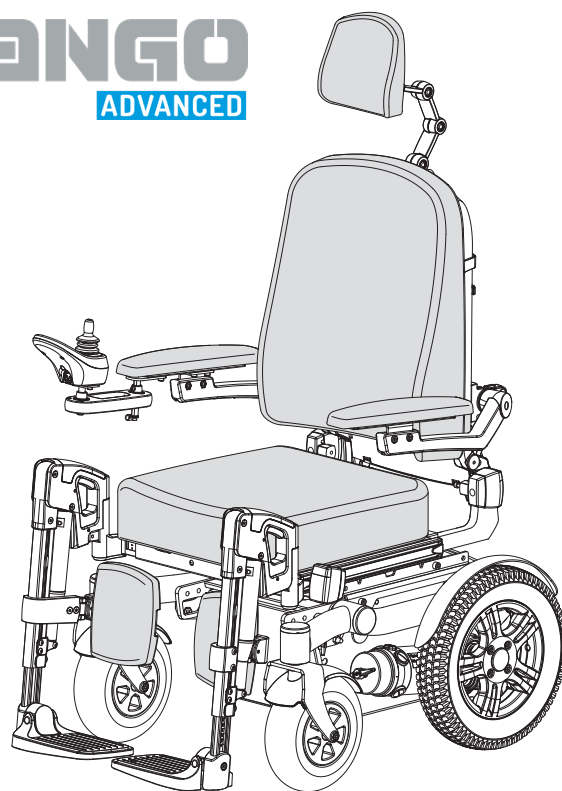
SANGO advanced RWD SEGO junior
SANGO advanced FWD SEGO junior
SANGO advanced MWD SEGO junior

SANGO slimline RWD SEGO
SANGO slimline FWD SEGO
SANGO slimline MWD SEGO

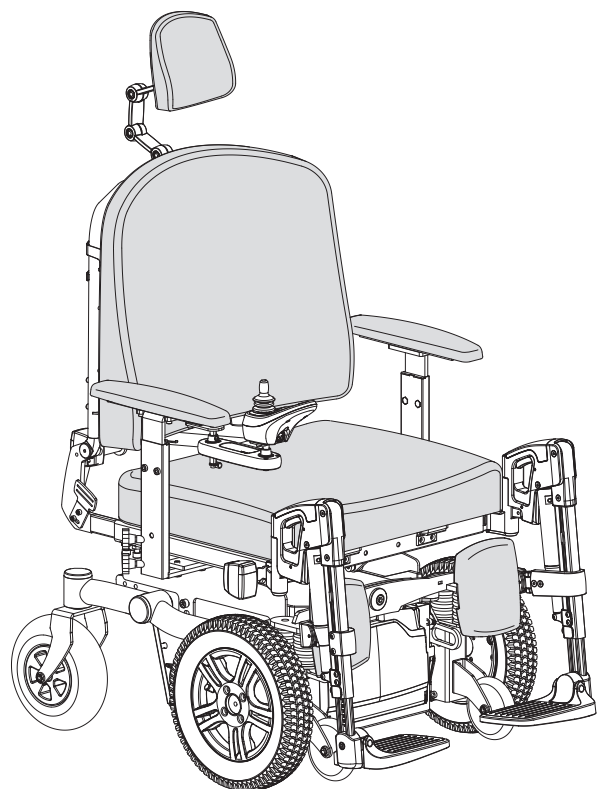
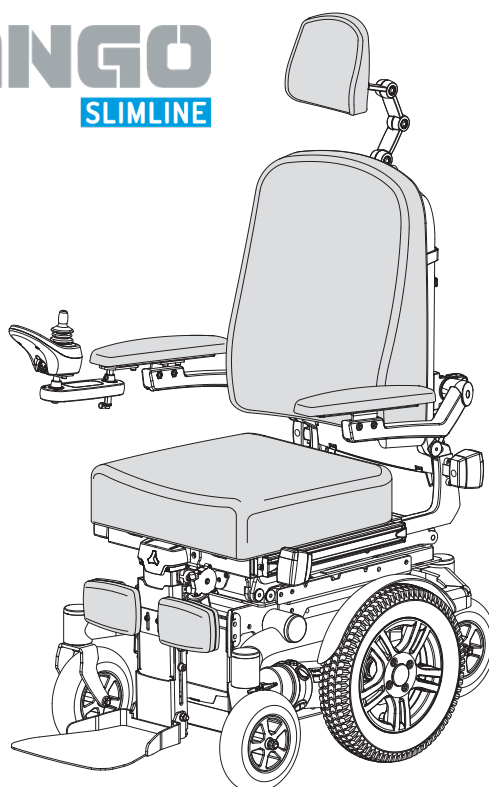
SANGO slimline RWD SEGO junior
SANGO slimline FWD SEGO junior
SANGO slimline MWD SEGO junior

SANGO xxi FWD SEGO

SANGO
ADVANCED



SANGO
SLIMLINE



SANGO
XXL

© 2017 DIETZ Power BV

All rights reserved.

The information provided may in no way be reproduced and/or published in any form or by any means (electronically or mechanically) without the express prior written consent of DIETZ Power BV.

The information provided is based on general data pertaining to constructions known at the time of issue. DIETZ Power BV pursues a policy of continuous product development and therefore reserves the right to make changes.

The information provided applies to the standard version of the product. DIETZ Power BV can therefore not be held liable for any damage resulting from specifications deviating from the standard version of the product.

The information made available has been compiled with the greatest care. However, DIETZ Power BV cannot be held liable for any errors in the information or for the consequences thereof. DIETZ Power BV cannot be held liable for any damage resulting from work carried out on the wheelchair by third parties.

Under legislation relating to the protection of trademarks, those commercial names, trade names, trademarks, etc. used by DIETZ Power BV may not be regarded as being free of rights.

2 - SANGO advanced / slimline / xxl

Preface

This document is meant as a reference to order parts for the SANGO.

Other available manuals:

- The general user manual of the wheelchair.
- The user manual for the controller.
- The user manual for the battery charger.
- The service manual.
- The technical manual from the supplier of the controller.

⚠ Warning!

- Read through all the manuals carefully before performing any maintenance or repairs on the wheelchair.
- Always follow the safety guidelines!
- Repairs may only be carried out by trained and authorised service technicians. During the execution of their work they are at all times fully responsible for the fulfilment of locally applicable safety guidelines and standards.
- Temporary employees and persons in training may only carry out repair and replacement work under the supervision of an authorised service technician.

Order information

When ordering parts, please specify:

- Identification number (see Identification plate)
- Spare part number (5xxxxxx)
- Numbers of parts required
- Description
- Dimensions (if applicable)

Please send your orders to **orders@dietz-power.com**.

Exploded views & part lists

- Position numbers in the part lists refer to the position in the relevant drawing.
- Only ordered parts that are returned within one month from invoice date, undamaged and in the original packaging, can be credited.
- To return product/parts that becomes defective or need to be repaired or replaced as the result of a manufacturing fault or material defect, follow the procedure described in the warranty conditions which can be found in the user and service manual.
- Parts available for SANGO 23 are
- *SANGO 23; Parts that are specific to SANGO 23 have the addition S23 in the item description. These parts for SANGO (as used before SANGO 23) have been moved to 'Parts till' and have the addition *. The start date for this is 1 March 2023 for Norway and 1 July 2023 for the rest of the world. From 1 July 2023, SANGO 23 has also been added to the label by the identification plate on the product.

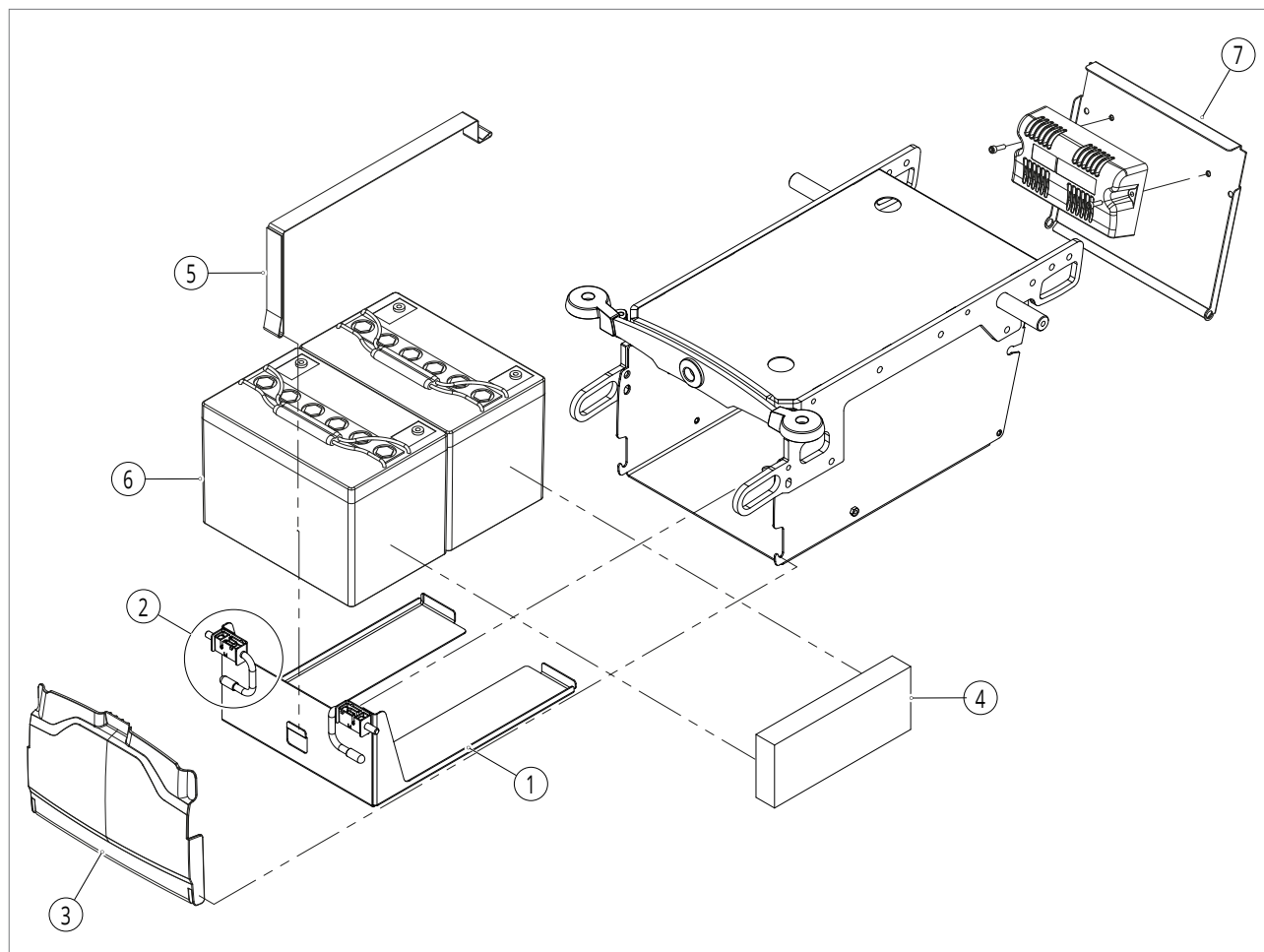
All orders and agreements are subject to the most recently registered general terms and conditions of sales with the registry of the court of 's-Hertogenbosch. Terms of conditions other than those referred to are not acceptable and hereby explicitly rejected.

Table of contents

1. Chassis	5
1.1. Advanced base frame	5
1.2. Slimline base frame	6
1.3. Xxl base frame	7
Anti-shimmy hub	8
1.4. Advanced FWD side frame	9
1.5. Xxl FWD side frame	11
1.6. Advanced RWD / slimline RWD+FWD side frame	12
1.7. Advanced MWD side frame	14
1.8. Slimline MWD side frame	16
1.9. Motors	18
1.10. Castor wheels and mudguard	19
Conversion table castor wheel sizes	20
1.11. Drive wheels and mudguard	21
Conversion table drive wheel sizes	22
2. Interface.....	23
2.1. Manual tilt	23
2.2. Advanced / slimline powered seat tilt and seat lift/tilt	24
2.3. Xxl powered seat tilt and catapult	26
3. Seating	27
3.1. SEGO / SEGO junior seat frame and lighting	27
3.2. Xxl seat frame and lighting	29
3.3. Advanced / slimline backrest frame and armrests	30
3.4. SEGO biomechanical backrest 45 degrees	32
3.5. Xxl backrest frame and armrests	33
3.6. Standard / comfort legrest	34
3.7. Powered articulating legrest	35
3.8. Centre mount legrest	36
3.9. Legrest accessories	39
4. Upholstery.....	40
4.1. Seat cushions	40
4.2. Backrest cushions	46
4.3. Posture support	54
5. Controls	56
5.1. Joystick bracket	56
5.2. VR2 and R-net options	57
5.3. VR2 controller	58
5.4. R-net controller	59
5.5. R-net special controls	61
6. Accessories.....	62
6.1. Advanced Dahl car docking	62
6.2. Slimline Dahl car docking	63
6.3. Trays	64
6.4. Accessories	65
7. Bodypoint.....	66
7.1. Bodypoint positioning options	66
Version overview.....	67

1. Chassis

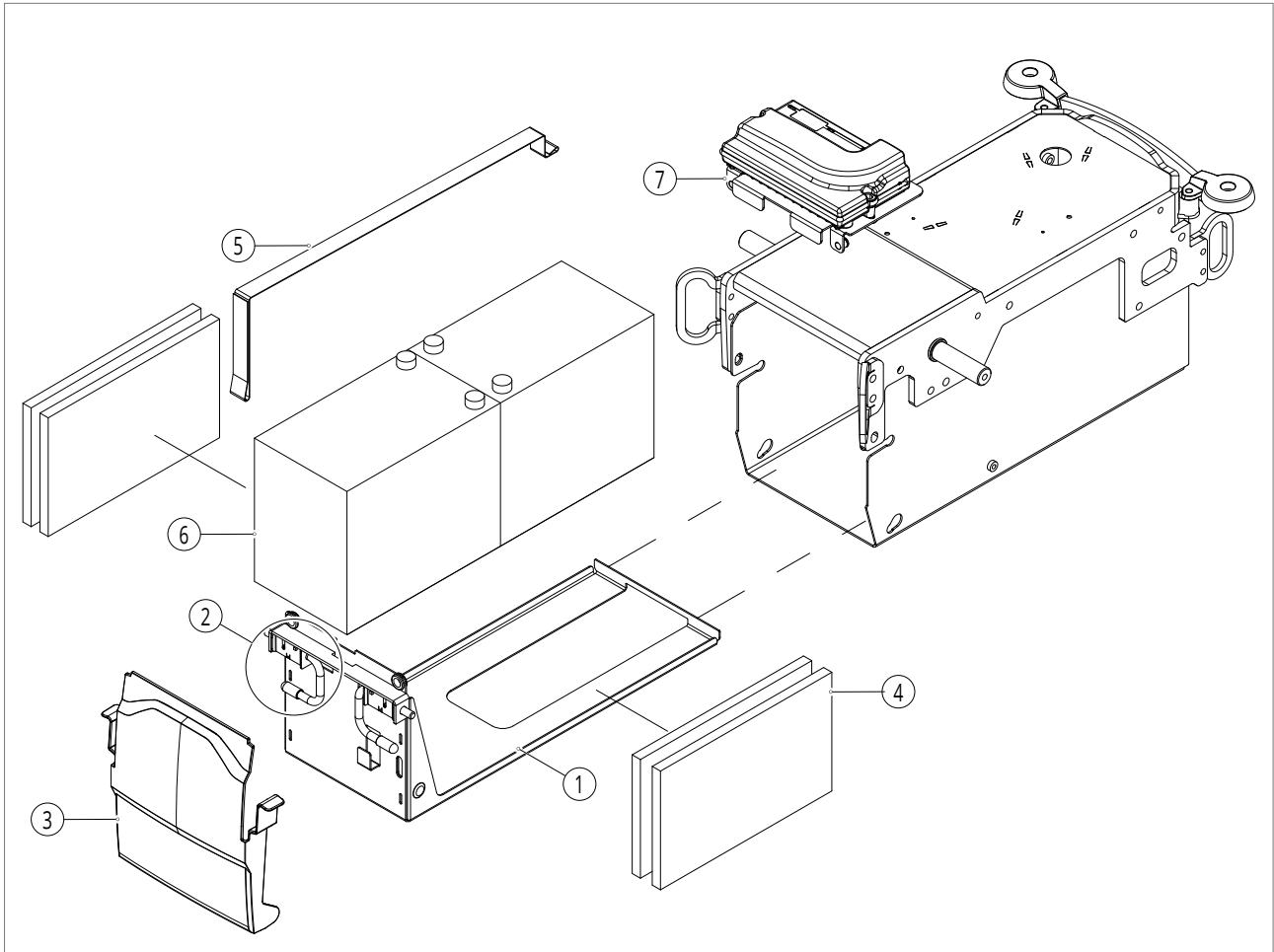
1.1. Advanced base frame



Pos no	Item no	Description	Per chair
1	5001865	Battery slide plate quick release (advanced) S23	1
-	5001868	Battery slide plate, reinforced bracket (advanced) S23	1
2	5001869	Quick release mechanism, set S23	1
3	5000063	Battery box cover (advanced)	1
4	5000064	Battery foam block for 50 Ah batteries, set (advanced)	1
5	5000065	Battery strap	1
6	5000026	Battery 50 Ah, C20 AGM (50Ah C5)	2
6	5000066	Battery 60 Ah, C20 GEL (50Ah C5)	2
6	5000027	Battery 76 Ah, C20 GEL (50Ah C5)	2
6	5001547	Battery 100 Ah, C20 AGM (advanced)	2
7	5000071	Power module cover, black (advanced)	1
-	5000067	Battery charger 24V 8A	1
-	5000069	Battery charger 24V 8A - UK plug	1
-	5000068	Battery charger 24V 12A	1
-	5000070	Battery charger 24V 12A - UK plug	1
-	5001870	Battery charger 8A - IP65	1
-	5001337	Battery charger 10A - Carry-on IP44	1
		Parts till	
-	5000061	Battery slide plate (advanced)*	1

* See page 3 for more information

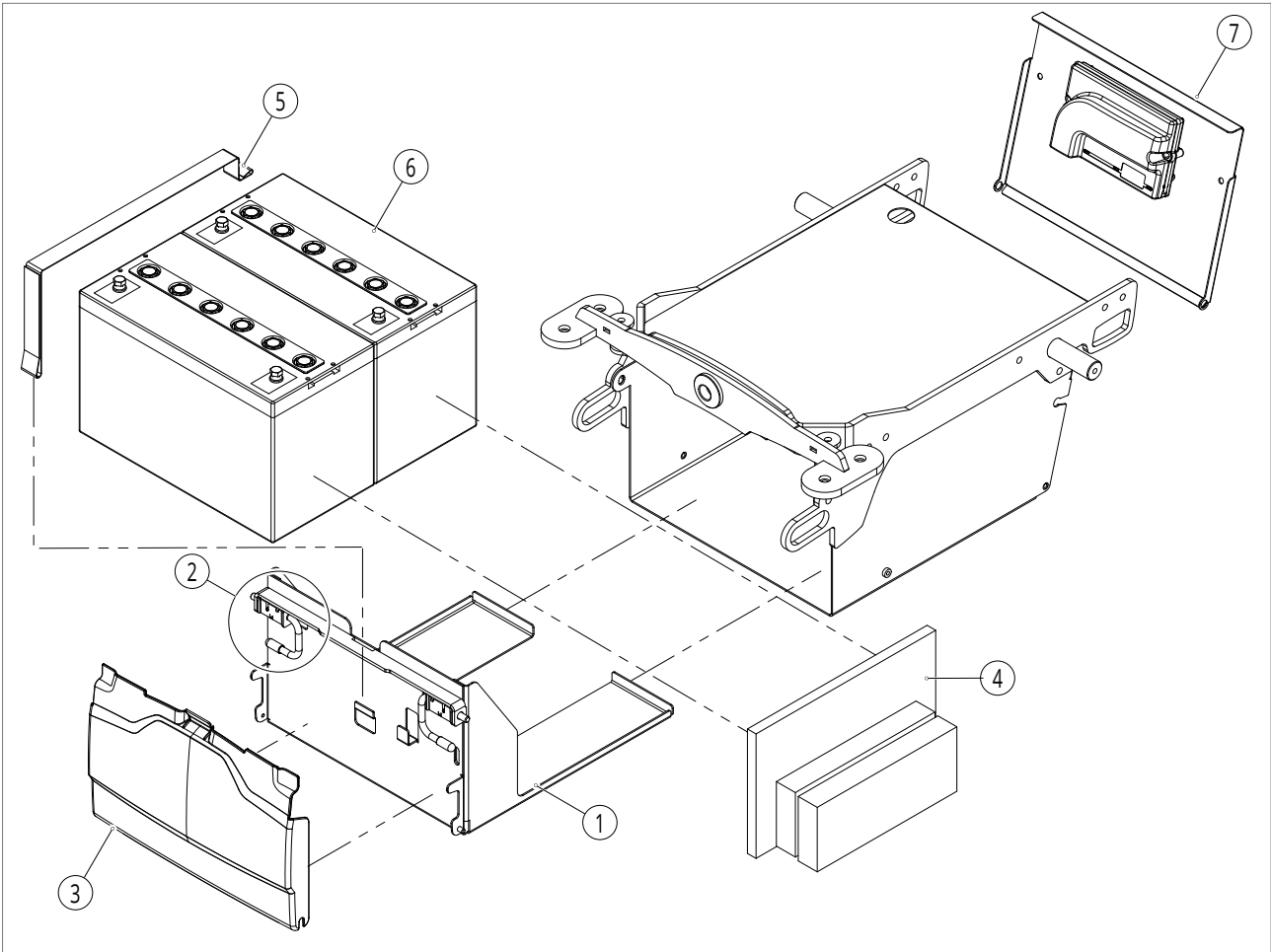
1.2. Slimline base frame



Pos no	Item no	Description	Per chair
1	5001866	Battery slide plate quick release (slimline) S23	1
2	5001869	Quick release mechanism, set S23	1
3	5001863	Battery box cover (slimline) S23	1
4	5001141	Battery foam block for 60 Ah batteries, set (slimline)	1
5	5000065	Battery strap	1
6	5000977	Battery 60Ah AGM Super Cycle	2
7	5001871	Power module mounting plate (slimline) S23	1
-	5000067	Battery charger 24V 8A	1
-	5000069	Battery charger 24V 8A - UK plug	1
-	5000068	Battery charger 24V 12A	1
-	5000070	Battery charger 24V 12A - UK plug	1
-	5001870	Battery charger 8A - IP65	1
-	5001337	Battery charger 10A - Carry-on IP44	1
		Parts till	
-	5001139	Battery slide plate (slimline)*	1
-	5001140	Battery cover grey (slimline)*	1
-	5001161	Power module mounting plate (slimline)*	1

* See page 3 for more information

1.3. Xxl base frame



Pos no	Item no	Description	Per chair
1	5001867	Battery slide plate quick release (xxl) S23	1
2	5001869	Quick release mechanism, set S23	1
3	5001864	Battery box cover (xxl) S23	1
4	5001223	Battery foam block for 76 / 100 Ah batteries, set	1
5	5000065	Battery strap	1
6	5000027	Battery 76 Ah, C20 GEL (50Ah C5)	2
6	5000991	Battery 100 Ah, C20 AGM (xxl)	2
7	5000072	Power module cover (xxl)	1
-	5000068	Battery charger 24V 12A	1
-	5000070	Battery charger 24V 12A - UK plug	1
-	5001870	Battery charger 8A - IP65	1
-	5001337	Battery charger 10A - Carry-on IP44	1
		Parts till	
-	5001222	Battery slide plate (xxl)*	1
-	5000063	Battery cover black (advanced / xxl)*	1

* See page 3 for more information

Chassis

Anti-shimmy hub

The need of a anti-shimmy hub and the quantity of rubbers on the anti-shimmy hub, depend on the drive type and speed.

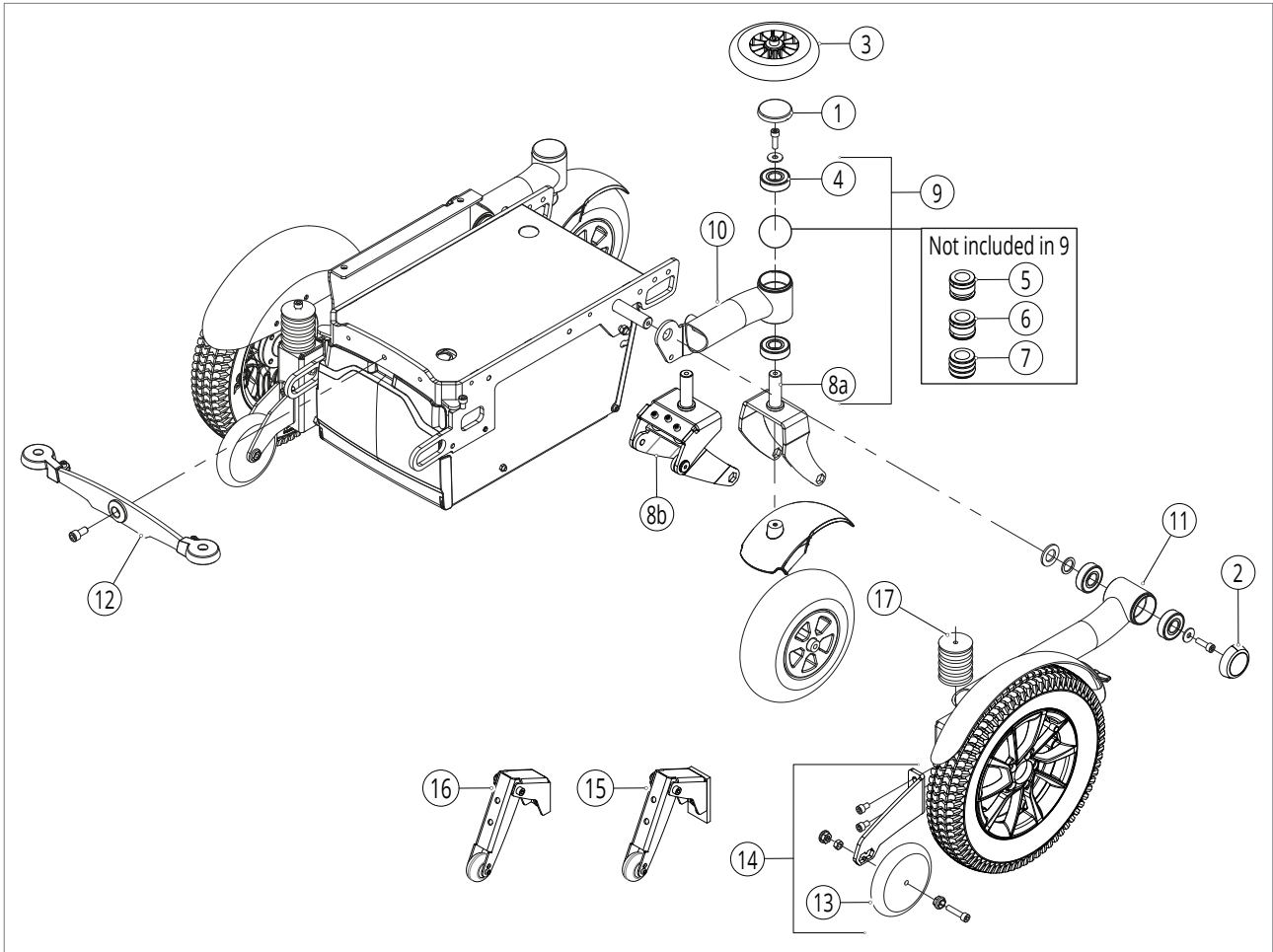
When ordering a castor fork, also order the needed anti-shimmy hub, with;

5001732: One rubber

5000566: Two rubbers

	FWD	MWD front	MWD rear	RWD
6 km/h	Not needed	Not needed	Not needed	Not needed
10 km/h	5000566	5000566	5001732	5000566
12,5 km/h	5000566	5000566	5001732	5000566
14,5 km/h	-	5001903	5001903	5001903

1.4. Advanced FWD side frame

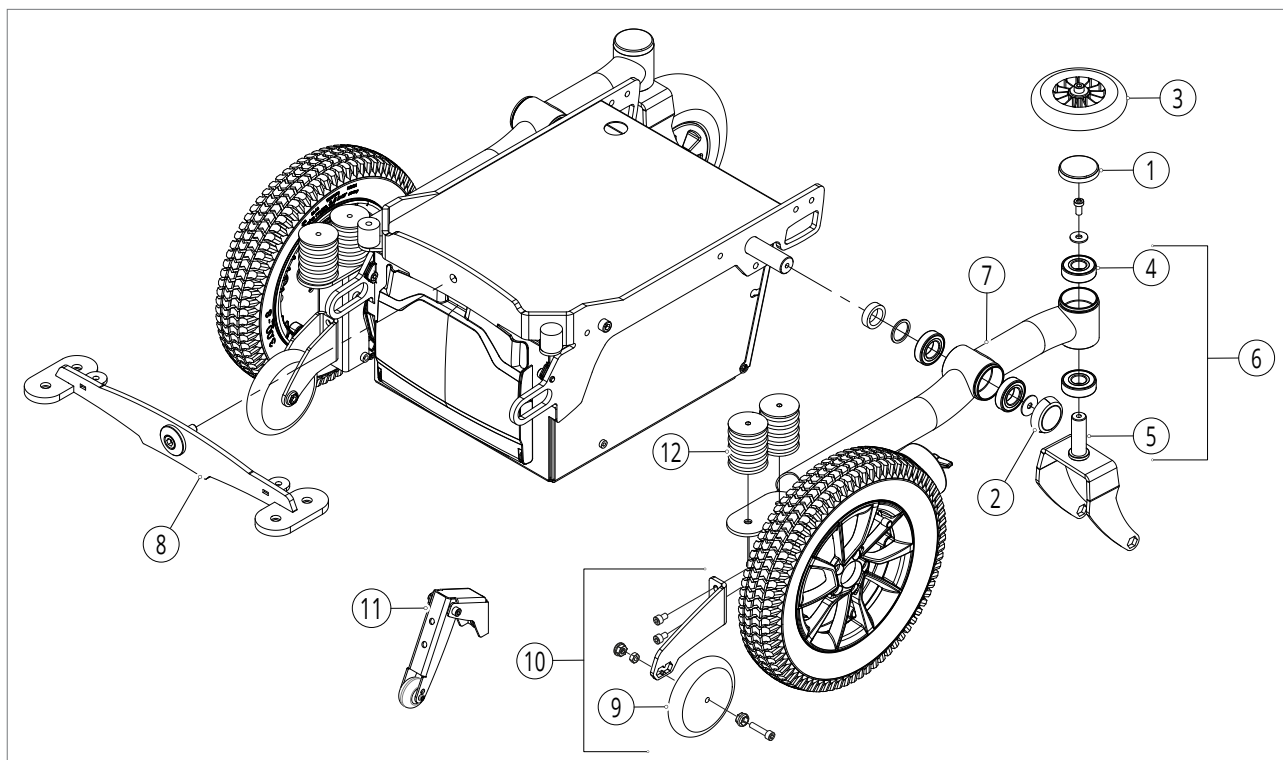


Pos no	Item no	Description	Per chair
1	5000182	Cap hinge point, 6 pieces	1
2	5001873	Cap hinge point with reflector, 2 pieces	1
3	5001876	Protector wheels castor housing, set	1
4	5000183	Bearing 20x47x14, 2 pieces	4
5	5001732	Anti-shimmy hub with 1 rubber	2
6	5000566	Anti-shimmy hub with 2 rubbers	2
7	5001903	Anti-shimmy hub with 3 rubbers	2
8a	5000073	SANGO 8" fork FWD/RWD	2
8a	5000074	SANGO 9" and 10" fork	2
8b	5001151	SANGO 9" suspended forks	2
9	5000184	SANGO 8" fork FWD/RWD, complete without hub	2
9	5000185	SANGO 9" / 10" fork, complete without hub	2
9	5000948	SANGO 9" suspended forks, complete without hub	2
-	5001837	SANGO 9" suspended forks FWD/RWD, demping buffer set 3 pieces	2
10	5000075	Red castorarm FWD, right	1
10	5000076	Red castorarm FWD, left	1
10	5000077	Blue castorarm FWD, right	1
10	5000078	Blue castorarm FWD, left	1
10	5000079	Gold castorarm FWD, right	1
10	5000080	Gold castorarm FWD, left	1
10	5001203	Black castorarm FWD, right	1
10	5001204	Black castorarm FWD, left	1
10	5001441	White castorarm FWD, right	1
10	5001442	White castorarm FWD, left	1

Chassis

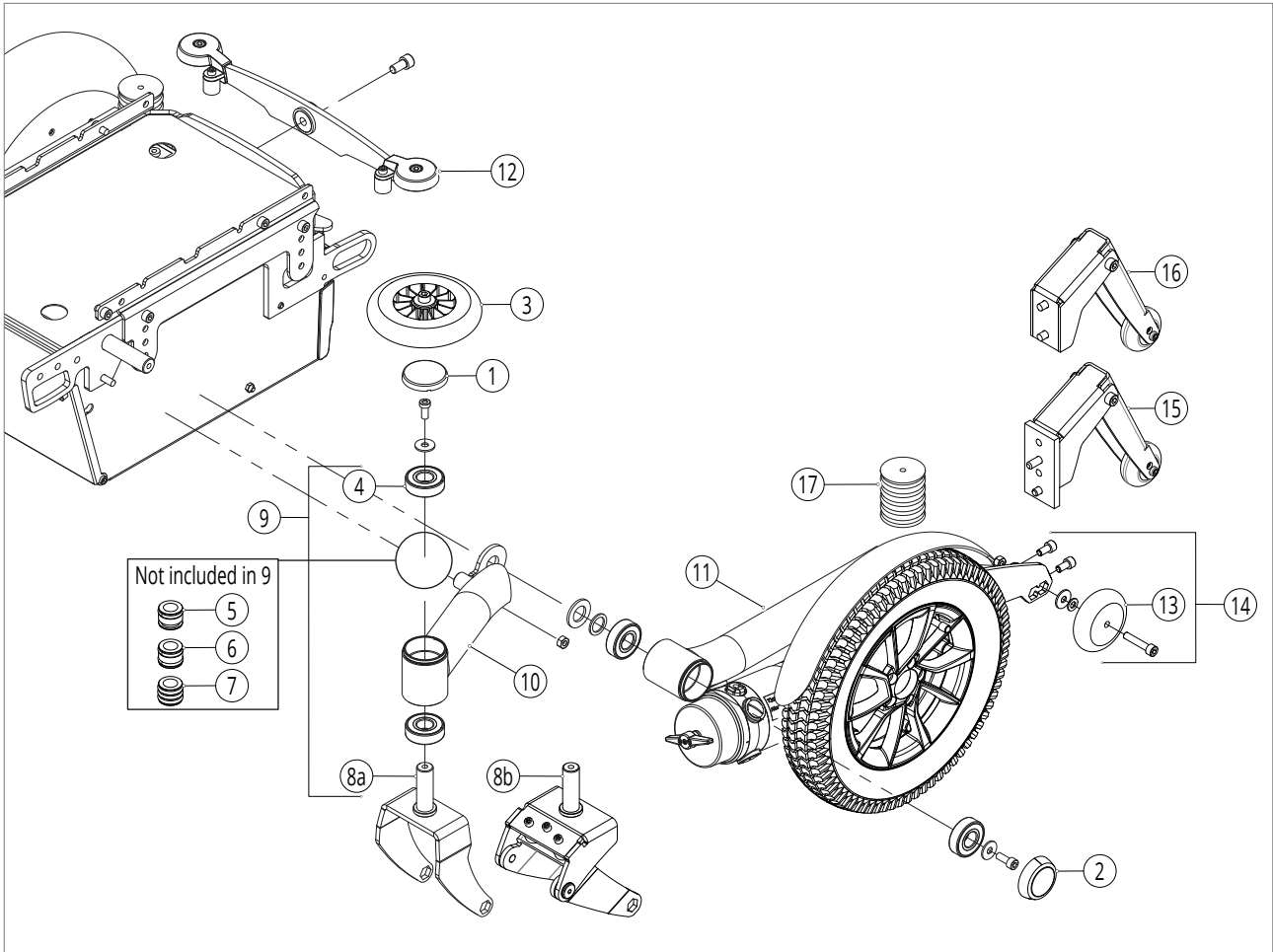
Pos no	Item no	Description	Per chair
11	5000081	Red motorarm FWD, right	1
11	5000082	Red motorarm FWD, left	1
11	5000083	Blue motorarm FWD, right	1
11	5000084	Blue motorarm FWD, left	1
11	5000085	Gold motorarm FWD, right	1
11	5000086	Gold motorarm FWD, left	1
11	5001205	Black motorarm FWD, right	1
11	5001206	Black motorarm FWD, left	1
11	5001443	White motorarm FWD, right	1
11	5001444	White motorarm FWD, left	1
12	5000186	Swing arm SANGO advanced FWD / RWD	1
13	5000087	Anti-tip wheel 125mm (R=L)	2
14	5000569	Anti-tip wheel 125mm incl. bracket, right	1
14	5000949	Anti-tip wheel 125mm incl. bracket, left	1
15	5001683	Spring loaded anti-tippers 12", set	1
16	5001614	Spring loaded anti-tippers 14", set	1
16	5001682	Spring loaded anti-tippers 16", set	1
17	5000089	Suspension rubber (40 SH), 2 pieces	1
17	5000090	Suspension rubber (55 SH), 2 pieces	1
-	5000091	Sticker SANGO advanced F, light grey, set	1
-	5000092	Sticker SANGO advanced F, dark grey, set	1
-	-	Motors see drawing 1.9	-
-	-	Castor wheels see drawing 1.10	-
-	-	Drive wheels see drawing 1.11	-

1.5. Xxl FWD side frame



Pos no	Item no	Description	Per chair
1	5000182	Cap hinge point, 6 pieces	1
2	5001873	Cap hinge point with reflector, 2 pieces	1
3	5001876	Protector wheels castor housing, set	1
4	5000183	Bearing 20x47x14, 2 pieces	4
5	5000074	SANGO 9" and 10" fork	2
6	5000185	SANGO 9" / 10" fork, complete without hub	2
7	5001225	Blue motorarm FWD, right (xxl)	1
7	5001226	Blue motorarm FWD, left (xxl)	1
8	5001227	Swing arm FWD	1
9	5000087	Anti-tip wheel 125mm (R=L)	2
10	5000569	Anti-tip wheel 125mm incl. bracket, right	1
10	5000949	Anti-tip wheel 125mm incl. bracket, left	1
11	5001614	Spring loaded anti-tippers 14", set	1
12	5000089	Suspension rubber (40 SH), 2 pieces	2
12	5000090	Suspension rubber (55 SH), 2 pieces	2
-	5001228	Sticker SANGO xxl F, light grey, set	1
-	-	Motors see drawing 1.9	-
-	-	Castor wheels see drawing 1.10	-
-	-	Drive wheels see drawing 1.11	-

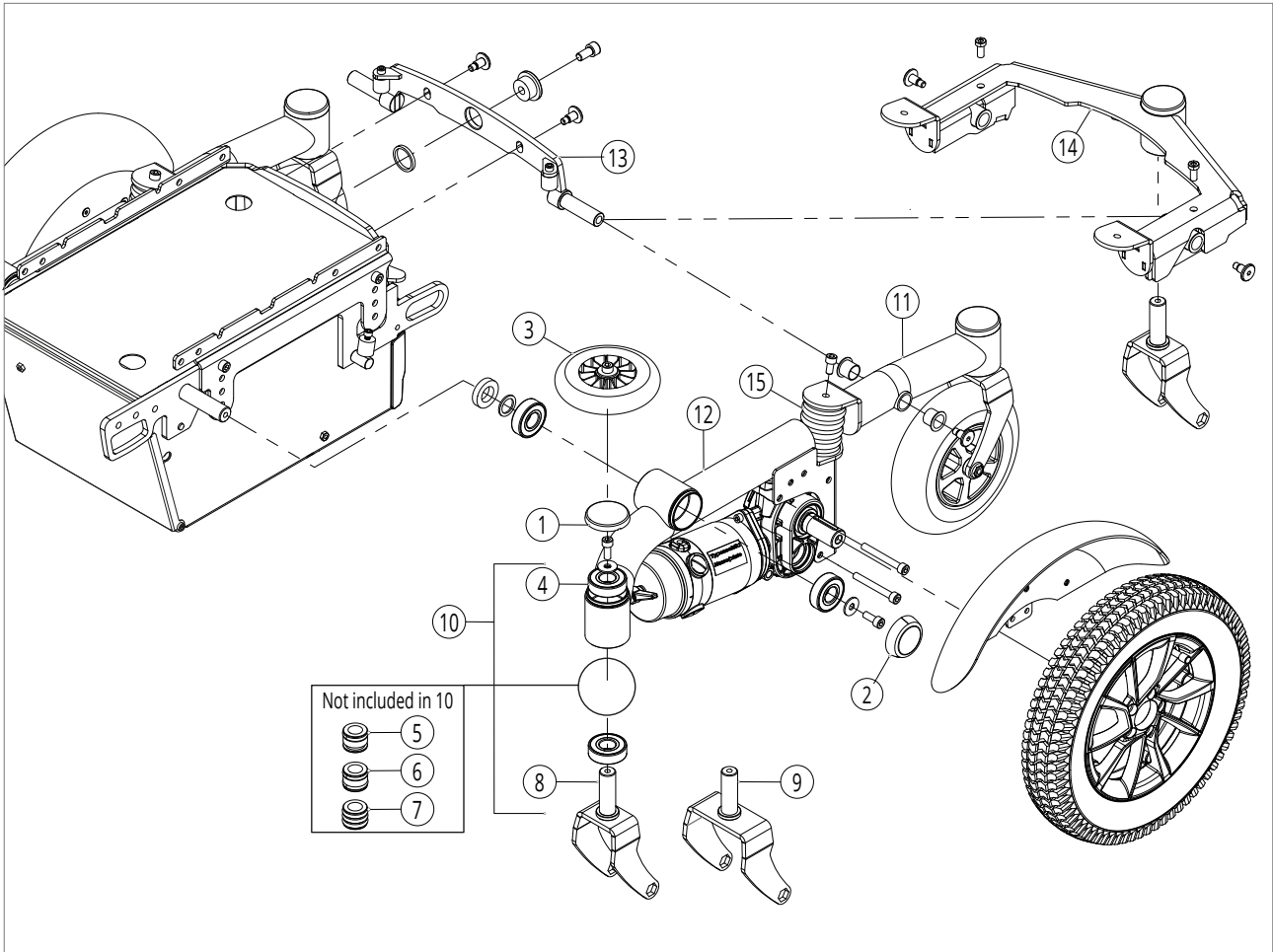
1.6. Advanced RWD / slimline RWD+FWD side frame



Pos no	Item no	Description	Per chair
1	5000182	Cap hinge point, 6 pieces	1
2	5001873	Cap hinge point with reflector, 2 pieces	1
3	5001876	Protector wheels castor housing, set	1
4	5000183	Bearing 20x47x14, 2 pieces	4
5	5001732	Anti-shimmy hub with 1 rubber	2
6	5000566	Anti-shimmy hub with 2 rubbers	2
7	5001903	Anti-shimmy hub with 3 rubbers	2
8a	5000073	SANGO 8" fork FWD/RWD	2
8a	5000074	SANGO 9" and 10" fork	2
8b	5001151	SANGO 9" suspended forks	2
9	5000184	SANGO 8" fork FWD/RWD, complete without hub	2
9	5000185	SANGO 9" / 10" fork, complete without hub	2
9	5000948	SANGO 9" suspended forks, complete without hub	2
-	5001837	SANGO 9" suspended forks FWD/RWD, demping buffer set 3 pieces	2
10	5000093	Red castorarm advanced/slimline RWD right / slimline FWD left	1
10	5000094	Red castorarm advanced/slimline RWD left / slimline FWD right	1
10	5000095	Blue castorarm advanced/slimline RWD right / slimline FWD left	1
10	5000096	Blue castorarm advanced/slimline RWD left / slimline FWD right	1
10	5000097	Gold castorarm advanced/slimline RWD right / slimline FWD left	1
10	5000098	Gold castorarm advanced/slimline RWD left / slimline FWD right	1
10	5001207	Black castorarm advanced/slimline RWD right / slimline FWD left	1
10	5001208	Black castorarm advanced/slimline RWD left / slimline FWD right	1
10	5001445	White castorarm advanced/slimline RWD right / slimline FWD left	1
10	5001446	White castorarm advanced/slimline RWD left / slimline FWD right	1

Pos no	Item no	Description	Per chair
11	5000099	Red motorarm RWD, right	1
11	5000100	Red motorarm RWD, left	1
11	5000101	Blue motorarm RWD, right	1
11	5000102	Blue motorarm RWD, left	1
11	5000103	Gold motorarm RWD, right	1
11	5000104	Gold motorarm RWD, left	1
11	5001209	Black motorarm RWD, right	1
11	5001210	Black motorarm RWD, left	1
11	5001447	White motorarm RWD, right	1
11	5001448	White motorarm RWD, left	1
11	5000081	Red motorarm FWD, right	1
11	5000082	Red motorarm FWD, left	1
11	5000083	Blue motorarm FWD, right	1
11	5000084	Blue motorarm FWD, left	1
11	5000085	Gold motorarm FWD, right	1
11	5000086	Gold motorarm FWD, left	1
11	5001205	Black motorarm FWD, right	1
11	5001206	Black motorarm FWD, left	1
11	5001443	White motorarm FWD, right	1
11	5001444	White motorarm FWD, left	1
12	5000186	Swing arm SANGO advanced FWD / RWD	1
12	5001142	Swing arm SANGO slimline FWD / RWD	1
13	5000001	Anti-tip wheel 80mm (R=L)	2
13	5001526	Anti-tip wheel 100mm (R=L)	2
14	5000570	Anti-tip wheel 80mm incl. bracket, right	1
14	5000951	Anti-tip wheel 80mm incl. bracket, left	1
14	5001545	Anti-tip wheel 100mm incl. bracket, FWD right / RWD left	1
14	5001546	Anti-tip wheel 100mm incl. bracket, FWD left / RWD right	1
15	5001683	Spring loaded anti-tippers 12", set	1
16	5001614	Spring loaded anti-tippers 14", set	1
16	5001682	Spring loaded anti-tippers 16", set	1
17	5000089	Suspension rubber (40 SH), 2 pieces	1
17	5000090	Suspension rubber (55 SH), 2 pieces	1
-	5000106	Sticker SANGO advanced R, light grey, set	1
-	5000107	Sticker SANGO advanced R, dark grey, set	1
-	5001143	Sticker SANGO slimline R, light grey, set	1
-	5001144	Sticker SANGO slimline R, dark grey, set	1
-	5001397	Sticker SANGO slimline-F, light grey, set	1
-	5001398	Sticker SANGO slimline-F, dark grey, set	1
-	-	Motors see drawing 1.9	-
-	-	Castor wheels see drawing 1.10	-
-	-	Drive wheels see drawing 1.11	-

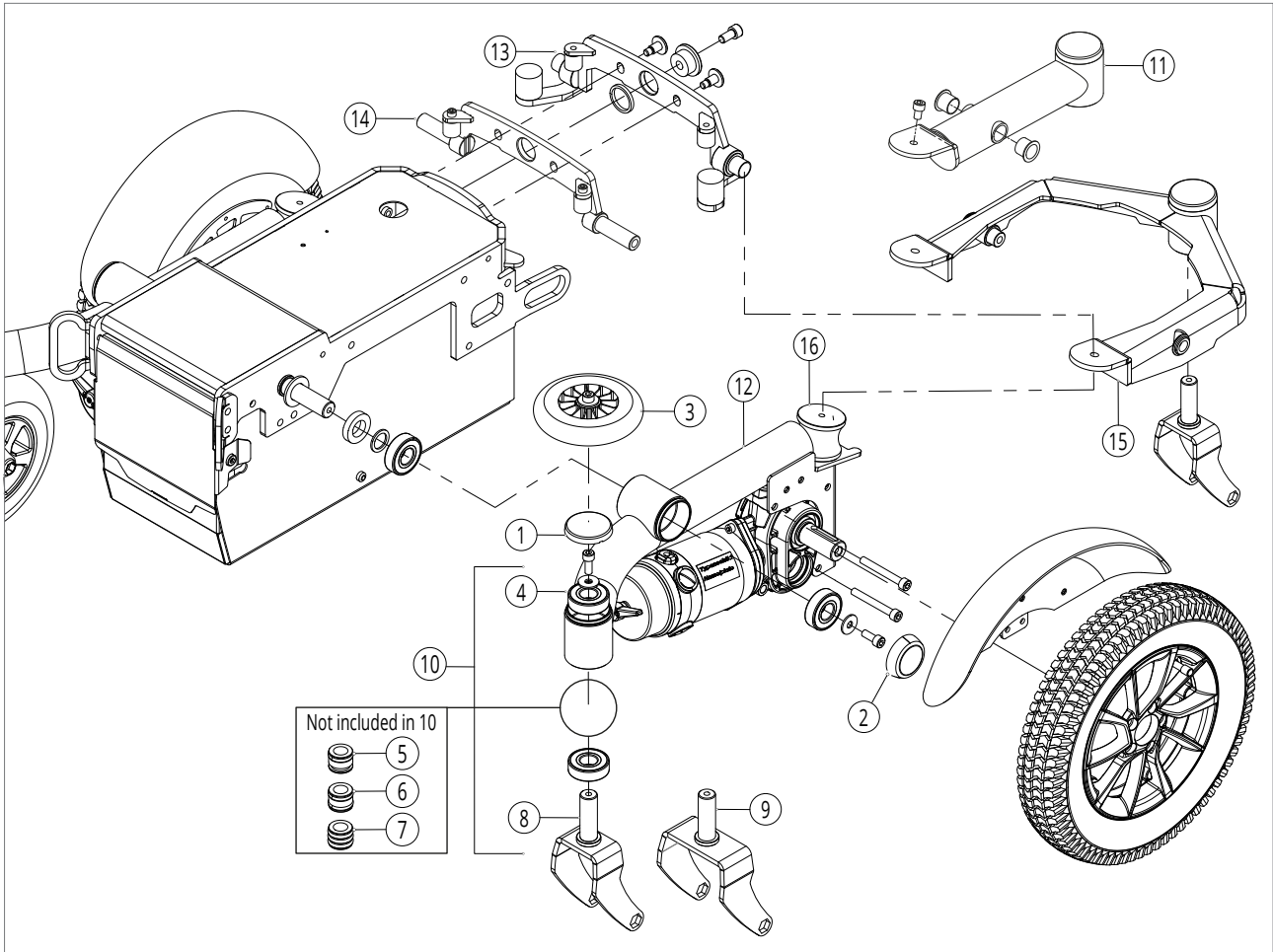
1.7. Advanced MWD side frame



Pos no	Item no	Description	Per chair
1	5000182	Cap hinge point, 6 pieces	1
2	5001873	Cap hinge point with reflector, 2 pieces	1
3	5001876	Protector wheels castor housing, set	1
4	5000183	Bearing 20x47x14, 2 pieces	6
5	5001732	Anti-shimmy hub with 1 rubber	2
6	5000566	Anti-shimmy hub with 2 rubbers	4
7	5001903	Anti-shimmy hub with 3 rubbers	2
8	5000108	SANGO 7" and 8" fork MWD	4
9	5001810	SANGO 8" fork for block profile castor wheel	2
-	5001500	SANGO 8" suspended forks MWD	2
10	5000188	SANGO 7" / 8" fork MWD, complete without hub	4
10	5001811	SANGO 8" fork for block profile castor wheel MWD, complete without hub	2
-	5001501	SANGO 8" suspended forks MWD, complete without hub	2
-	5001836	SANGO 8" suspended forks MWD, demping buffer set 3 pieces	2
11	5000109	Red castorarm, SANGO advanced MWD	2
11	5000110	Blue castorarm, SANGO advanced MWD	2
11	5000111	Gold castorarm, SANGO advanced MWD	2
11	5001211	Black castorarm, SANGO advanced MWD	2
11	5001449	White castorarm, SANGO advanced MWD	2
12	5000112	Red motorarm MWD, right	1
12	5000113	Red motorarm MWD, left	1
12	5000114	Blue motorarm MWD, right	1
12	5000115	Blue motorarm MWD, left	1
12	5000116	Gold motorarm MWD, right	1

Pos no	Item no	Description	Per chair
12	5000117	Gold motorarm MWD, left	1
12	5001212	Black motorarm MWD, right	1
12	5001213	Black motorarm MWD, left	1
12	5001450	White motorarm MWD, right	1
12	5001451	White motorarm MWD, left	1
13	5000189	Swing arm SANGO advanced MWD	1
14	5000947	SANGO advanced suspension bridge	1
15	5000089	Suspension rubber (40 SH), 2 pieces	1
15	5000090	Suspension rubber (55 SH), 2 pieces	1
-	5000118	Sticker SANGO advanced M, Light grey, set	1
-	5000119	Sticker SANGO advanced M, Dark grey, set	1
-	-	Motors see drawing 1.9	-
-	-	Castor wheels see drawing 1.10	-
-	-	Drive wheels see drawing 1.11	-

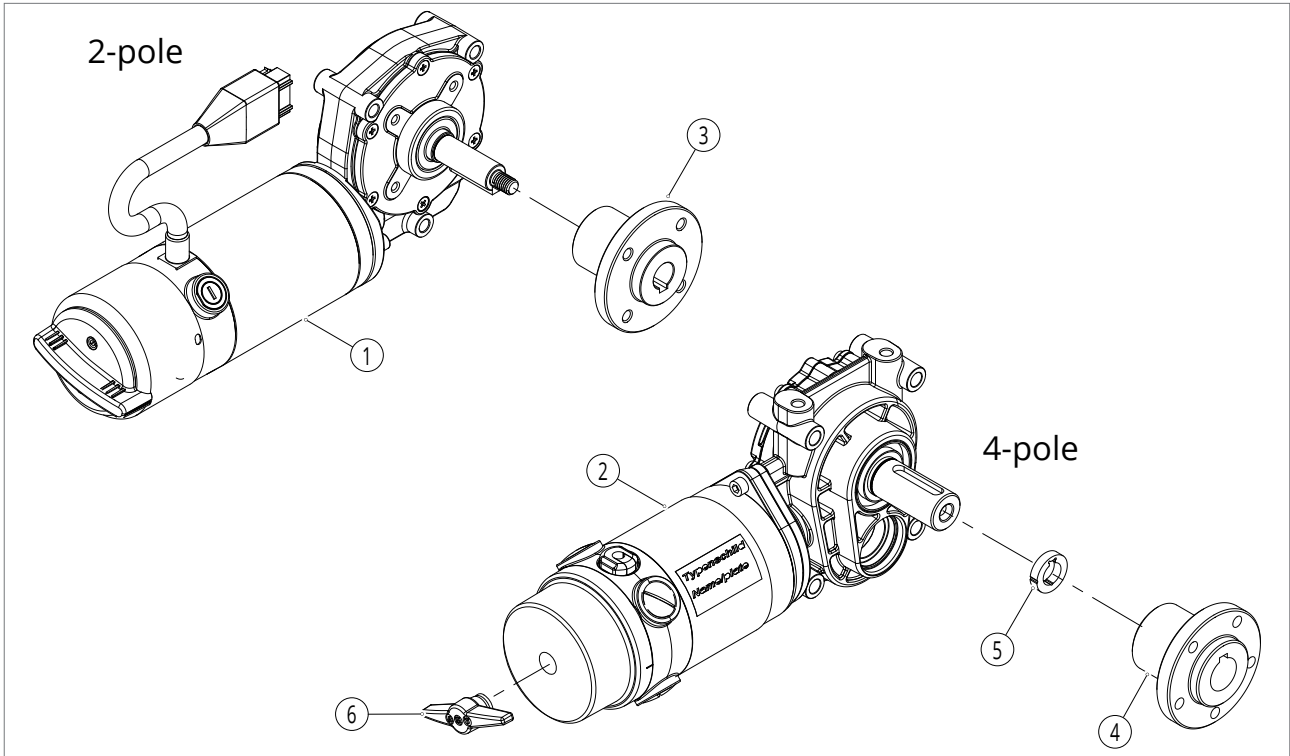
1.8. Slimline MWD side frame



Pos no	Item no	Description	Per chair
1	5000182	Cap hinge point, 6 pieces	1
2	5001873	Cap hinge point with reflector, 2 pieces	1
3	5001876	Protector wheels castor housing, set	1
4	5000183	Bearing 20x47x14, 2 pieces	6
5	5001732	Anti-shimmy hub with 1 rubber	2
6	5000566	Anti-shimmy hub with 2 rubbers	4
7	5001903	Anti-shimmy hub with 3 rubbers	2
8	5000108	SANGO 7" and 8" fork MWD	4
9	5001810	SANGO 8" fork for block profile castor wheel	2
-	5001500	SANGO 8" suspended forks MWD	2
10	5000188	SANGO 7" / 8" fork MWD, complete without hub	4
10	5001811	SANGO 8" fork for block profile castor wheel MWD, complete without hub	2
-	5001501	SANGO 8" suspended forks MWD, complete without hub	2
-	5001836	SANGO 8" suspended forks MWD, demping buffer set 3 pieces	2
11	5001813	Red castorarm, SANGO slimline MWD	2
11	5001814	Blue castorarm, SANGO slimline MWD	2
11	5001815	Gold castorarm, SANGO slimline MWD	2
11	5001816	Black castorarm, SANGO slimline MWD	2
11	5001817	White castorarm, SANGO slimline MWD	2
12	5000112	Red motorarm MWD, right	1
12	5000113	Red motorarm MWD, left	1
12	5000114	Blue motorarm MWD, right	1
12	5000115	Blue motorarm MWD, left	1
12	5000116	Gold motorarm MWD, right	1

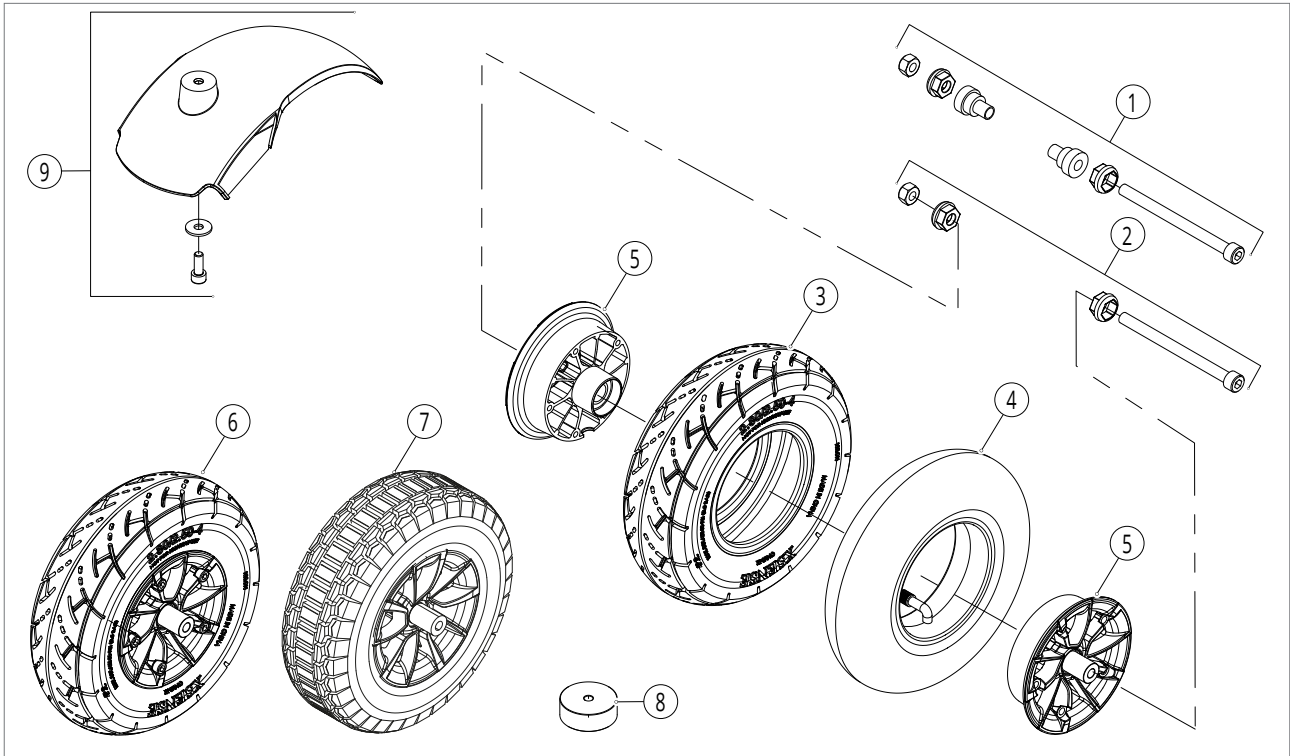
Pos no	Item no	Description	Per chair
12	5000117	Gold motorarm MWD, left	1
12	5001212	Black motorarm MWD, right	1
12	5001213	Black motorarm MWD, left	1
12	5001450	White motorarm MWD, right	1
12	5001451	White motorarm MWD, left	1
13	5001145	Swing arm SANGO slimline MWD, 5 wheels	1
14	5001812	Swing arm SANGO slimline MWD, 6 wheels	1
15	5001148	SANGO slimline suspension bridge	1
16	5000089	Suspension rubber (40 SH), 2 pieces	1
16	5000090	Suspension rubber (55 SH), 2 pieces	1
-	5001146	Sticker SANGO slimline M, Light grey, set	1
-	5001147	Sticker SANGO slimline M, Dark grey, set	1
8+13+15	5001806	Conversion kit SANGO slimline MWD, 6 to 5 wheel	1
		IF CONVERSION FROM 5 TO 6 WHEELS, ORDER ALSO EXTRA CASTOR WHEEL	
8+11+14	5001818	Conversion kit SANGO slimline MWD, 5 to 6 wheel, red castorarms	1
8+11+14	5001819	Conversion kit SANGO slimline MWD, 5 to 6 wheel, blue castorarms	1
8+11+14	5001820	Conversion kit SANGO slimline MWD, 5 to 6 wheel, gold castorarms	1
8+11+14	5001821	Conversion kit SANGO slimline MWD, 5 to 6 wheel, black castorarms	1
8+11+14	5001822	Conversion kit SANGO slimline MWD, 5 to 6 wheel, white castorarms	1
-	-	Motors see drawing 1.9	-
-	-	Castor wheels see drawing 1.10	-
-	-	Drive wheels see drawing 1.11	-

1.9. Motors



Pos no	Item no	Description	Per chair
1	5000039	Motor 6km/h CT, 2-pole, RWD/MWD right (FWD left)	1
1	5000120	Motor 6km/h CT, 2-pole, RWD/MWD left (FWD right)	1
1	5000124	Motor 10km/h CT, 2-pole, RWD/MWD right (FWD left)	1
1	5000125	Motor 10km/h CT, 2-pole, RWD/MWD left (FWD right)	1
2	5000121	Motor 6km/h, 4-pole high torque, RWD/MWD right (FWD left)	1
2	5000122	Motor 6km/h, 4-pole high torque, RWD/MWD left (FWD right)	1
2	5000968	Motor 6km/h HD, 4-pole high torque 25 mm, left (xxl)	1
2	5000969	Motor 6km/h HD, 4-pole high torque 25 mm, right (xxl)	1
2	5000126	Motor 10km/h, 4-pole high torque, RWD/MWD right (FWD left)	1
2	5000127	Motor 10km/h, 4-pole high torque, RWD/MWD left (FWD right)	1
2	5001838	Motor 10km/h HD (Off road), 4-pole high torque, RWD/MWD right (FWD left)	1
2	5001839	Motor 10km/h HD (Off road), 4-pole high torque, RWD/MWD left (FWD right)	1
2	5000128	Motor 12km/h, 4-pole high torque, RWD/MWD right (FWD left)	1
2	5000129	Motor 12km/h, 4-pole high torque, RWD/MWD left (FWD right)	1
2	5001840	Motor 14,5km/h, 4-pole high torque, RWD/MWD right	1
2	5001841	Motor 14,5km/h, 4-pole high torque, RWD/MWD left	1
3	5000131	Wheel hub 2-pole (17 mm)	2
4	5001685	Wheel hub 4-pole high torque (20 mm) S22	2
4	5001686	Wheel hub 4-pole Heavy Duty (25 mm) S22	2
5	5001712	Bush motorshaft S22	2
6	5000134	Free wheel lever (4 pole)	2
-	5001340	Carbon brushes, set (4 pieces)	1
		Parts till	
-	5000132	Wheel hub 4-pole high torque (20 mm) till 02-2022	2
-	5000133	Wheel hub 4-pole Heavy Duty (25 mm) till 02-2022	2
-	5000847	Bush motorshaft till 02-2022	2

1.10. Castor wheels and mudguard



Pos no	Item no	Description	Per chair
1	5000135	8" castor wheel mounting material	2
1	5000190	7" castor wheel mounting material	2
2	5000136	9" and 10" castor wheel mounting material	2
3	5000137	Tyre 8" air, black	2
3	5000139	Tyre 8" air, grey	2
3	5000138	Tyre 8" solid, black	2
3	5000140	Tyre 8" solid, grey	2
3	5001687	Tyre 9" air, black S22	2
3	5001689	Tyre 9" air, grey S22	2
3	5001688	Tyre 9" solid, black S22	2
3	5001690	Tyre 9" solid, grey S22	2
3	5000145	Tyre 10" air, black	2
3	5000146	Tyre 10" air, grey	2
3	5001457	Tyre 10" solid, black	2
3	5001458	Tyre 10" solid, grey	2
4	5000159	Inner tube 8" castor wheel	2
4	5000160	Inner tube 9" castor wheel	2
4	5000161	Inner tube 10" castor wheel	2
5	5001719	Rim 8" S22	2
5	5001720	Rim 9" S22	2
5	5001721	Rim 10" S22	2
6	5001691	Castor wheel 7", solid, black S22	2
6	5001692	Castor wheel 7", solid, grey S22	2
6	5001684	Castor wheel 8", air, black S22	2
6	5001694	Castor wheel 8", air, grey S22	2
7	5001804	Castor wheel 8" block profile, air. If new added option, also order 5001810	2
6	5001693	Castor wheel 8", solid, black S22	2
6	5001695	Castor wheel 8", solid, grey S22	2
6	5001696	Castor wheel 9", air, black S22	2
6	5001698	Castor wheel 9", air, grey S22	2

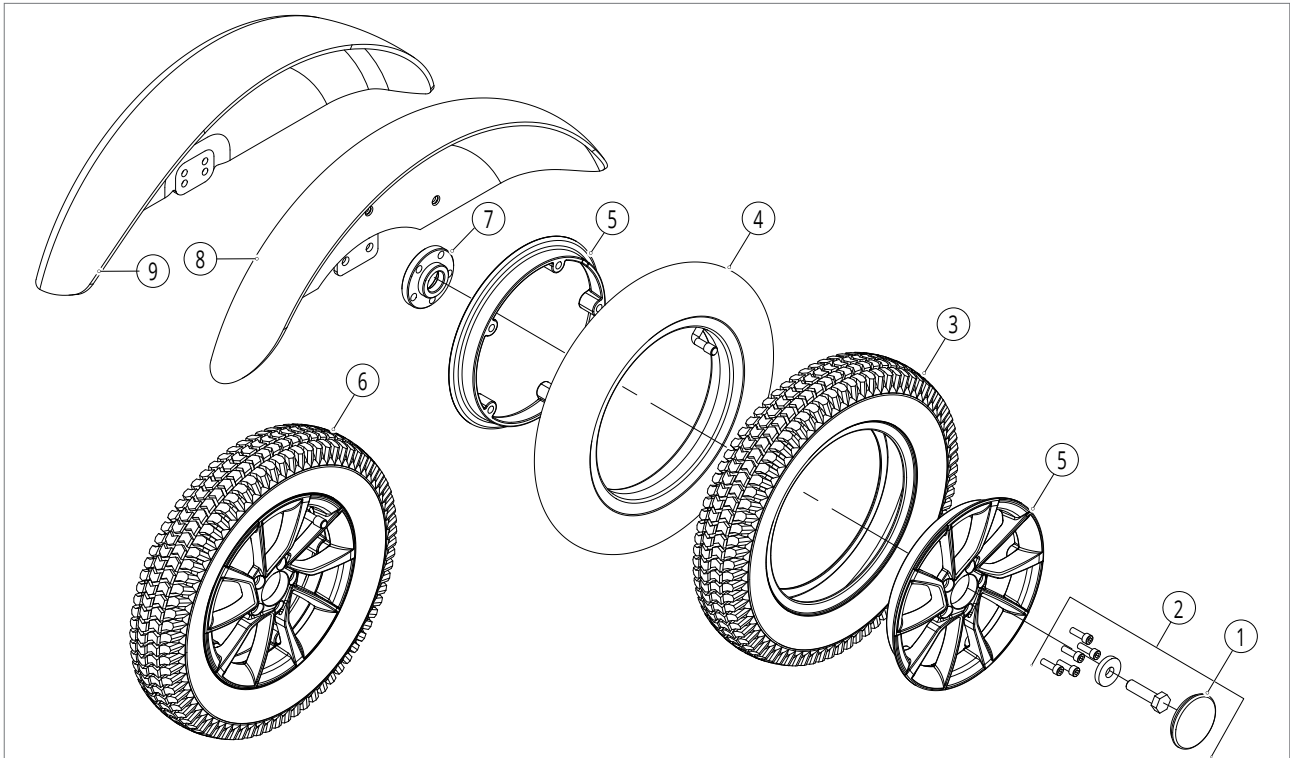
Chassis

Pos no	Item no	Description	Per chair
7	5001805	Castor wheel 9" block profile, air	2
6	5001697	Castor wheel 9", solid, black S22	2
6	5001699	Castor wheel 9", solid, grey S22	2
6	5001700	Castor wheel 10", air, black S22	2
6	5001701	Castor wheel 10", air, grey S22	2
6	5001723	Castor wheel 10", solid, black S22	2
6	5001724	Castor wheel 10", solid, grey S22	2
8	5001290	Spacer 10" (needed when replacing a 9" wheel with a 10" wheel)	2
9	5000158	Mudguard, 9" castor wheel	2
		Parts till	
-	5000141	Tyre 9" air, black till 02-2022	2
-	5000143	Tyre 9" air, grey till 02-2022	2
-	5000142	Tyre 9" solid, black till 02-2022	2
-	5000144	Tyre 9" solid, grey till 02-2022	2
-	5001366	Rim 9" till 02-2022	2
-	5001367	Rim 10" till 02-2022	2
-	5000154	Castor wheel 9", air, grey till 02-2022	2
-	5000156	Castor wheel 10", air, black till 02-2022	2
-	5000157	Castor wheel 10", air, grey till 02-2022	2
-	5001456	Castor wheel 10", solid, grey till 02-2022	2

Conversion table castor wheel sizes

Inch	mm	∅
7	7 x 1 3/4	∅190
8	2.00 x 50	∅216
9	2.80 / 2.50 - 4	∅225
10	3.00 - 4	∅251

1.11. Drive wheels and mudguard



Pos no	Item no	Description	Per chair
1	5001833	Rubber dust cap drive wheel, 10 pieces	2
2	5000162	12"/14" Drive wheel mounting material (advanced / slimline)	2
2	5001884	16" Drive wheel mounting material (advanced)	2
2	5001727	Drive wheel mounting material (xxl) S22	2
3	5000028	Tyre 12" air, black	2
3	5000164	Tyre 12" air, grey	2
3	5000163	Tyre 12" solid, black	2
3	5000165	Tyre 12" solid, grey	2
3	5000166	Tyre 14" air, black	2
3	5000168	Tyre 14" air, grey	2
3	5000167	Tyre 14" solid, black	2
3	5000169	Tyre 14" solid, grey	2
3	5001713	Tyre 16" air, black S22	2
3	5001714	Tyre 16" air, grey S22	2
4	5000191	Inner tube, 12" drive wheel, air	2
4	5000181	Inner tube, 14" drive wheel, air	2
4	5001217	Inner tube, 16" drive wheel, air	2
5	5001722	Rim 12"= 14" S22	2
6	5001702	Drive wheel 12" air, black S22	2
6	5001704	Drive wheel 12" air, grey S22	2
6	5001703	Drive wheel 12" solid, black S22	2
6	5001705	Drive wheel 12" solid, grey S22	2
6	5001706	Drive wheel 14" air, black S22	2
6	5001708	Drive wheel 14" air, grey S22	2
6	5001707	Drive wheel 14" solid, black S22	2
6	5001709	Drive wheel 14" solid, grey S22	2
6	5001717	Drive wheel 14" air, black (xxl) S22	2
6	5001710	Drive wheel 14" air, grey (xxl) S22	2
6	5001718	Drive wheel 14" solid, black (xxl) S22	2
6	5001711	Drive wheel 14" solid, grey (xxl) S22	2
6	5001715	Drive wheel 16" air, black S22	2

Chassis

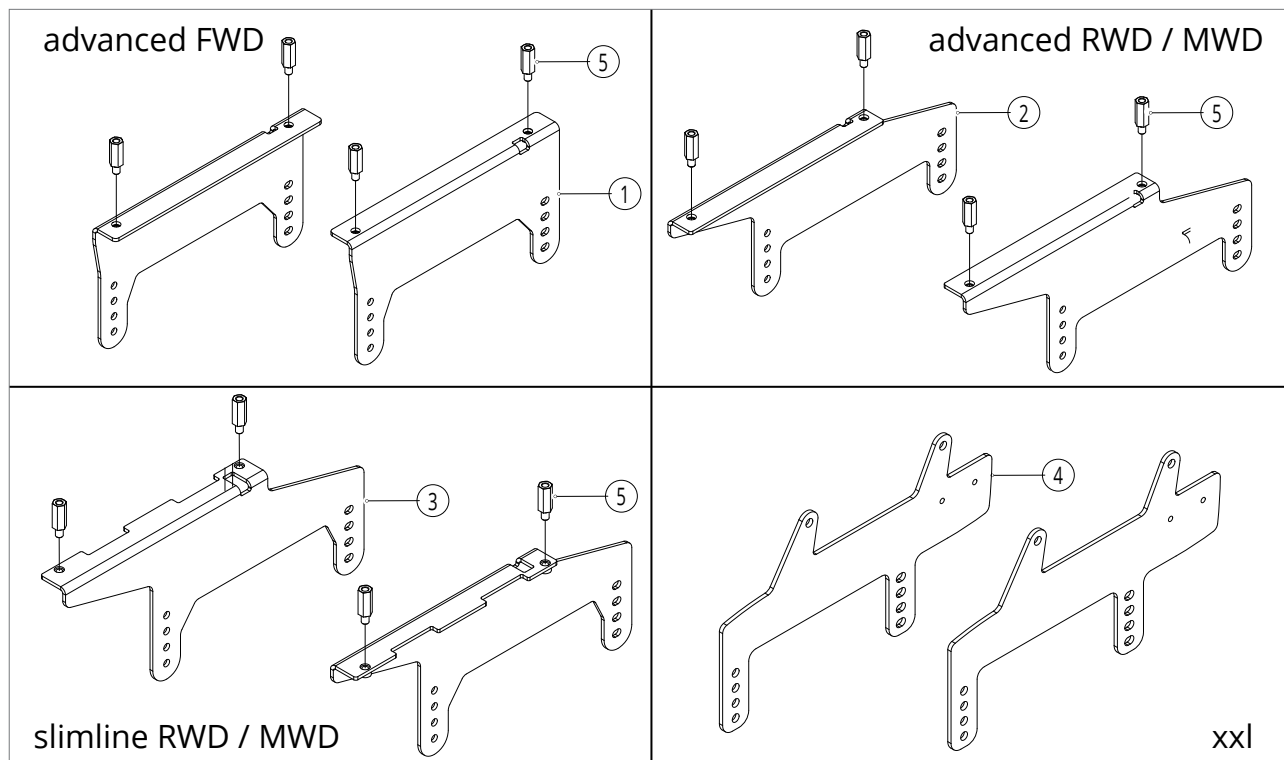
Pos no	Item no	Description	Per chair
6	5001716	Drive wheel 16" air, grey S22	2
6	5001725	Drive wheel 16" solid, black S22	2
6	5001726	Drive wheel 16" solid, grey S22	2
		IF 12" OR 14" WHEELS ON WHEELCHAIR, PLEASE CONTACT OUR CUSTOMER SERVICE DEPARTMENT	
7	5001747	Hub extension for 16" drive wheel	2
8	5000180	Mudguard 12/14" drive wheel	2
9	5001894	Mudguard 16" drive wheel	2
		Parts till	
-	5001229	Drive wheel mounting material (xpl) till 02-2022	2
-	5001368	Rim 12"= 14" till 02-2022	2
-	5000172	Drive wheel 12" air, grey till 02-2022	2
-	5000173	Drive wheel 12" solid, grey till 02-2022	2

Conversion table drive wheel sizes

Inch	mm
12	12 1/2 x 2 1/4
14	3.00 - 8
16	3.50 - 8

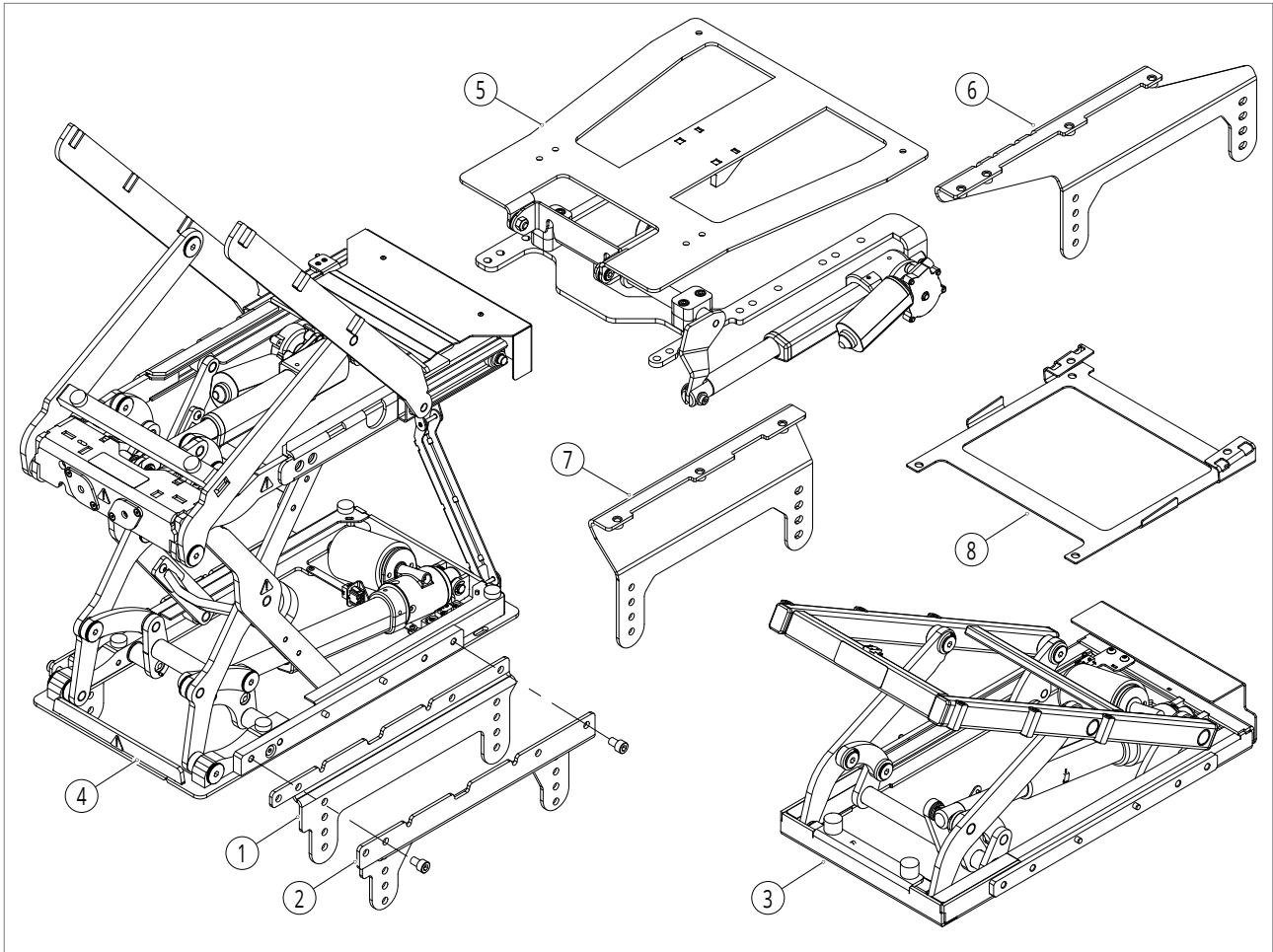
2. Interface

2.1. Manual tilt



Pos no	Item no	Description	Per chair
1	5000192	SANGO advanced mounting plate FWD, right	1
1	5000193	SANGO advanced mounting plate FWD, left	1
2	5000194	SANGO advanced mounting plate RWD/MWD, right	1
2	5000195	SANGO advanced mounting plate RWD/MWD, left	1
3	5001158	SANGO slimline mounting plate RWD/MWD, right	1
3	5001159	SANGO slimline mounting plate RWD/MWD, left	1
4	5001232	SANGO xxl mounting plate FWD (R=L)	1
5	5000196	Spacer bush 30 mm for seat height, 4 pieces	1

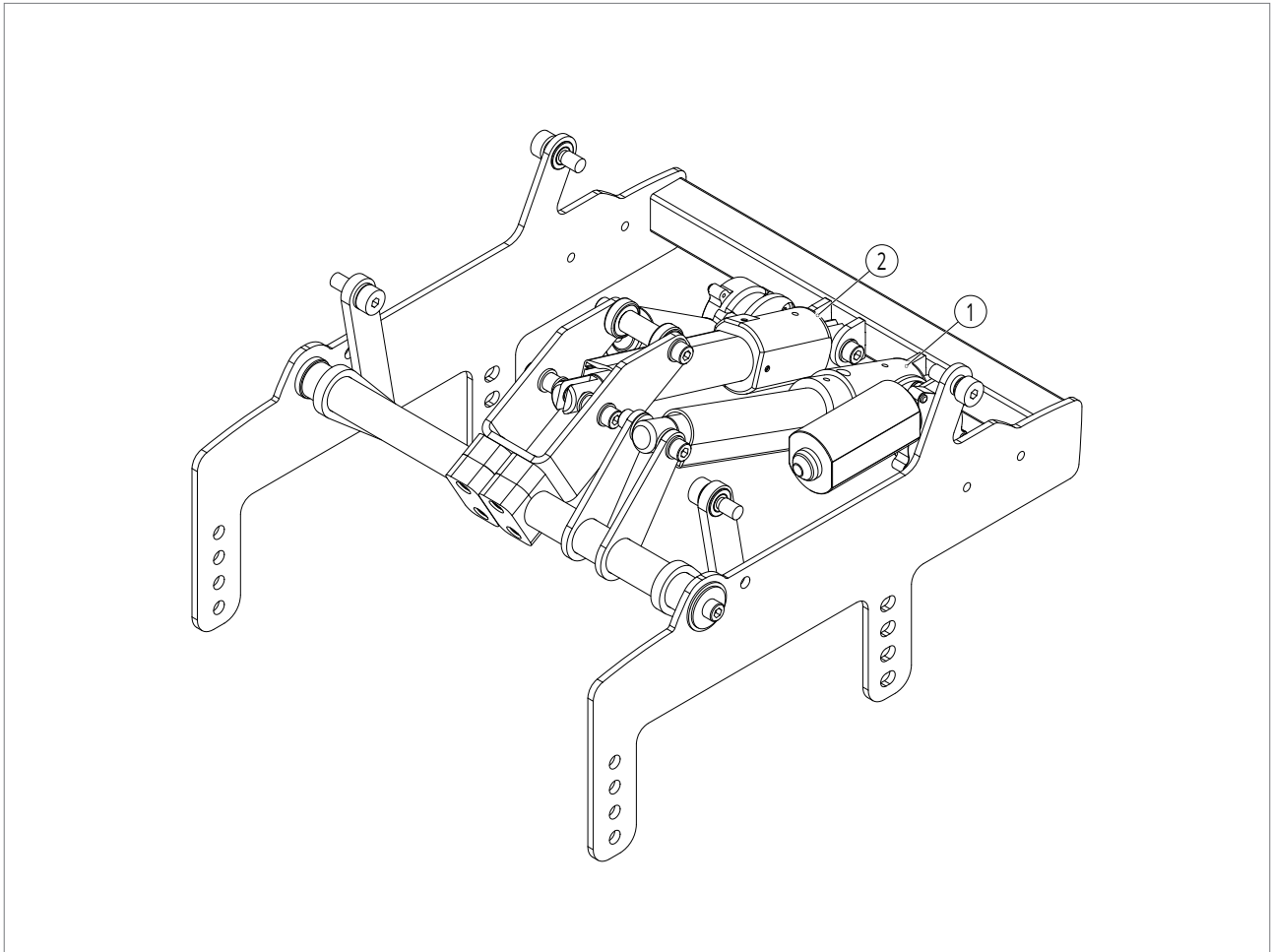
2.2. Advanced / slimline powered seat tilt and seat lift/tilt



Pos no	Item no	Description	Per chair
1	5000572	SANGO advanced mounting plate tilt/lift, left	1
1	5000573	SANGO advanced mounting plate tilt/lift, right	1
2	5001234	SANGO slimline mounting plate tilt/lift, left	1
2	5001235	SANGO slimline mounting plate tilt/lift, right	1
3	5000580	45° power tilt module	1
3	5000581	52° power tilt module	1
4	5001781	45° power tilt and seat lift module 80 mm	1
4	5001782	52° power tilt and seat lift module 80 mm	1
-	5000574	45° power tilt actuator for tilt module	1
-	5001375	45° power tilt actuator for tilt/lift module	1
-	5001374	52° power tilt actuator for tilt module	1
-	5001376	52° power tilt actuator for tilt/lift module	1
-	5001377	Power lift actuator	1
-	5001381	Tilt inhibit cable version 2.0	1
-	5001380	Lift/tilt inhibit cable version 2.0	1
-	5001676	Catapult actuator short for RWD/FWD	1
-	5001677	Catapult actuator long for MWD	1
		IF NO POWERED ADJUSTMENT ON WHEELCHAIR, ALSO ORDER CATAPULT MOUNTING PLATE LEFT (5001680 OR 5001681) (RIGHT MOUNTING PLATE DOESN'T CHANGE)	
5	5001895	Catapult for FWD/RWD S23	1
5	5001896	Catapult for MWD S23	1
6	5001681	SANGO advanced mounting plate RWD/MWD catapult, left	1
7	5001680	SANGO advanced mounting plate FWD catapult, left	1
8	5001525	Minus 5° tilt subframe, comfort	1

Pos no	Item no	Description	Per chair
		Parts till	
-	5000577	45° power tilt actuator for tilt/lift module till 26-05-2020	1
-	5000578	52° power tilt actuator for tilt/lift module till 26-05-2020	1
-	5000579	Power lift actuator till 26-05-2020	1
-	5000985	Catapult actuator till 30-09-2021	1

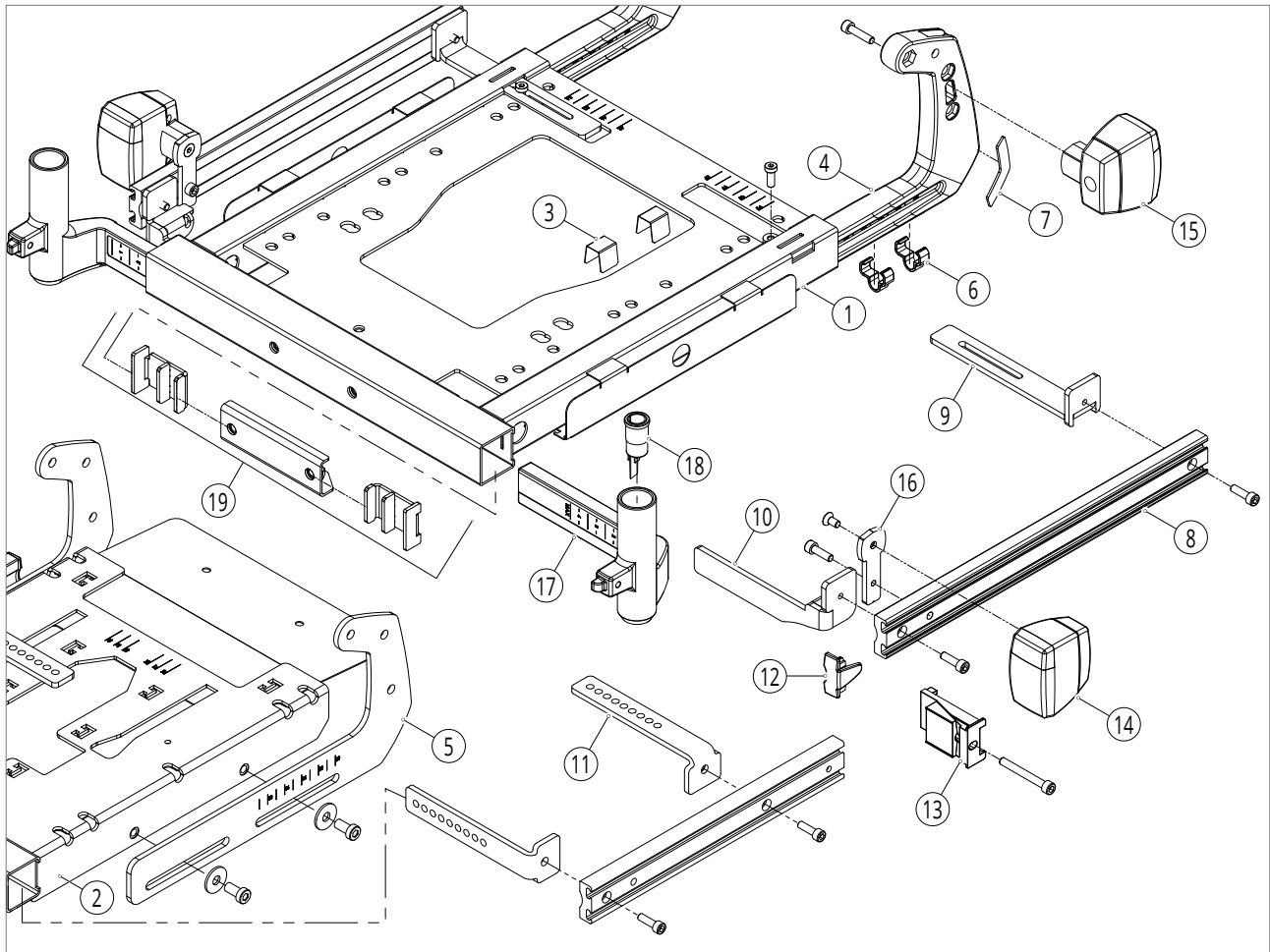
2.3. Xxl powered seat tilt and catapult



Pos no	Item no	Description	Per chair
1	5001236	25° power tilt actuator (xxl)	1
2	5001239	Catapult actuator (xxl)	1

3. Seating

3.1. SEGO / SEGO junior seat frame and lighting



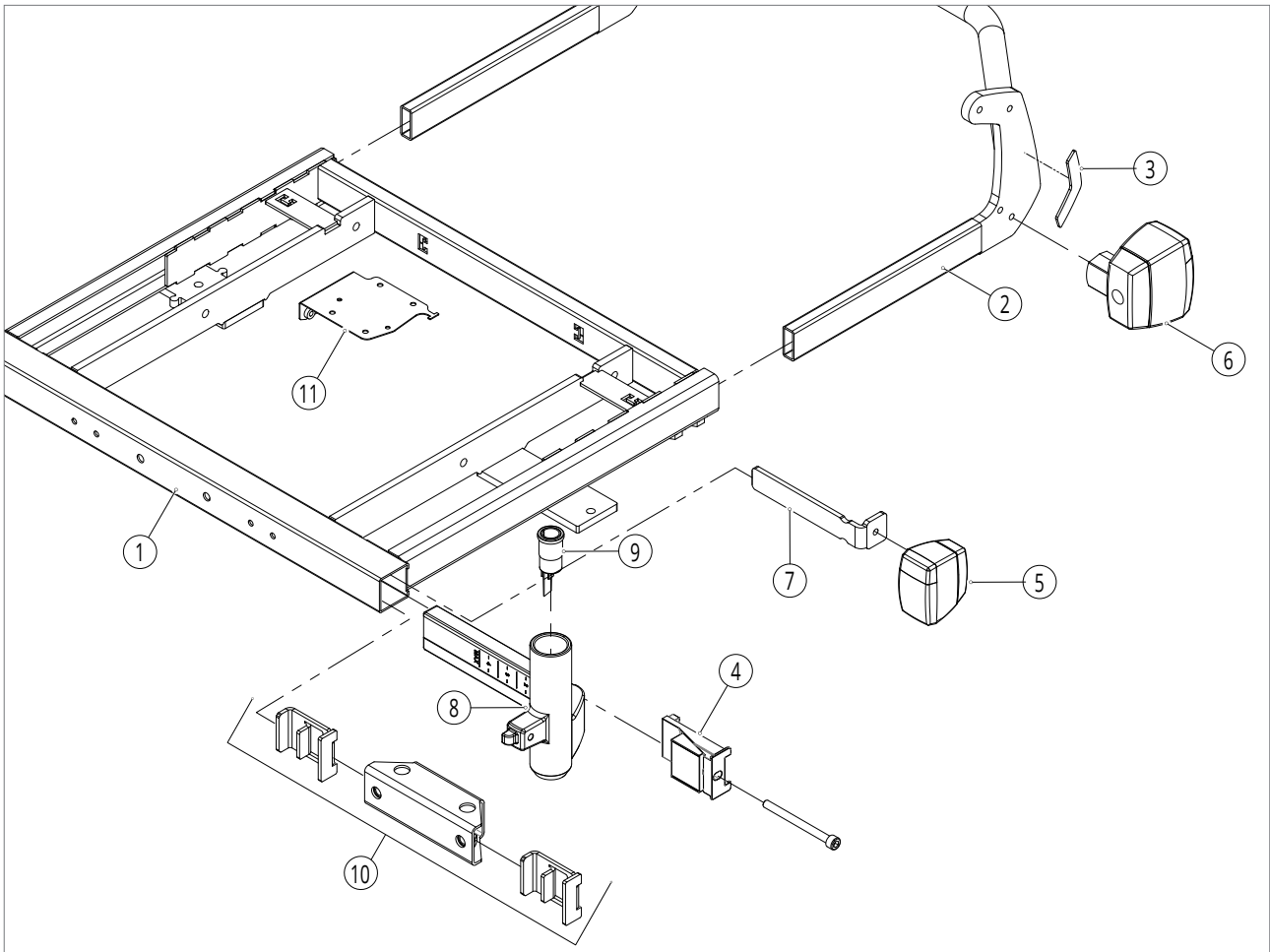
Pos no	Item no	Description	Per chair
1	5001879	Seat frame with cable clips S23	1
2	5001888	Junior seat frame base	1
3	5001880	Cable clips for seat frame set (10 pieces) S23	1
4	5000588	Slider back frame	2
5	5001613	Sliders with 9 cm extra SD adjustment (set)	1
6	5001881	Cable clips for sliders set (10 pieces) S23	1
7	5001874	Side reflector sticker 2 pieces	1
8	5000589	Seat mounting rail	2
9	5001898	Rail holder bracket rear (R=L) S23	2
10	5001905	Rail holder bracket front, set S23	1
11	5000590	Rail holder bracket	4
12	5000591	Rail end-cover, 4 pieces	1
13	5000592	Clamp block seat mounting rail / legrest	2
14	5000593	Head light E-mark incl. mounting material (without cables)	2
14	5000594	Head light K-mark incl. mounting material (without cables)	2
15	5000595	Tail light incl. mounting material (without cables)	2
14+15	5000035	R-net lights & indicators E-Mark, set (without cables)	1
14+15	5000596	R-net lights & indicators K-Mark (for Germany), set (without cables)	1
14+15	5001507	VR2 Lighting E-mark, set, incl. lighting module and cables	1
14+15	5001508	VR2 Lighting K-mark, set, incl. lighting module and cables	1
16	5001899	Bracket for head light S23	2
17	5000598	Receiver standard and angle adjustable legrest, right	1
17	5000599	Receiver standard and angle adjustable legrest, left	1

Seating

Pos no	Item no	Description	Per chair
17	5001474	Receiver standard and angle adjustable legrest, for Catapult seat, right	1
17	5001475	Receiver standard and angle adjustable legrest, for Catapult seat, left	1
18	5000602	Power legrest connector plug	2
17+18	5000600	Receiver power legrest, right (when mounted on chair delivered before 15 January 2019, also order 5000709 lift-tilt cable long)	1
17+18	5000601	Receiver power legrest, left (when mounted on chair delivered before 15 January 2019, also order 5000709 lift-tilt cable long)	1
17+18	5001476	Receiver power legrest, for Catapult seat, right	1
17+18	5001477	Receiver power legrest, for Catapult seat, left	1
19	5000871	Centre mount legrest mounting tube and fillblock	1
		Parts till	
-	5000587	Seat frame base*	1
-	5000597	Extension bracket for head light*	2

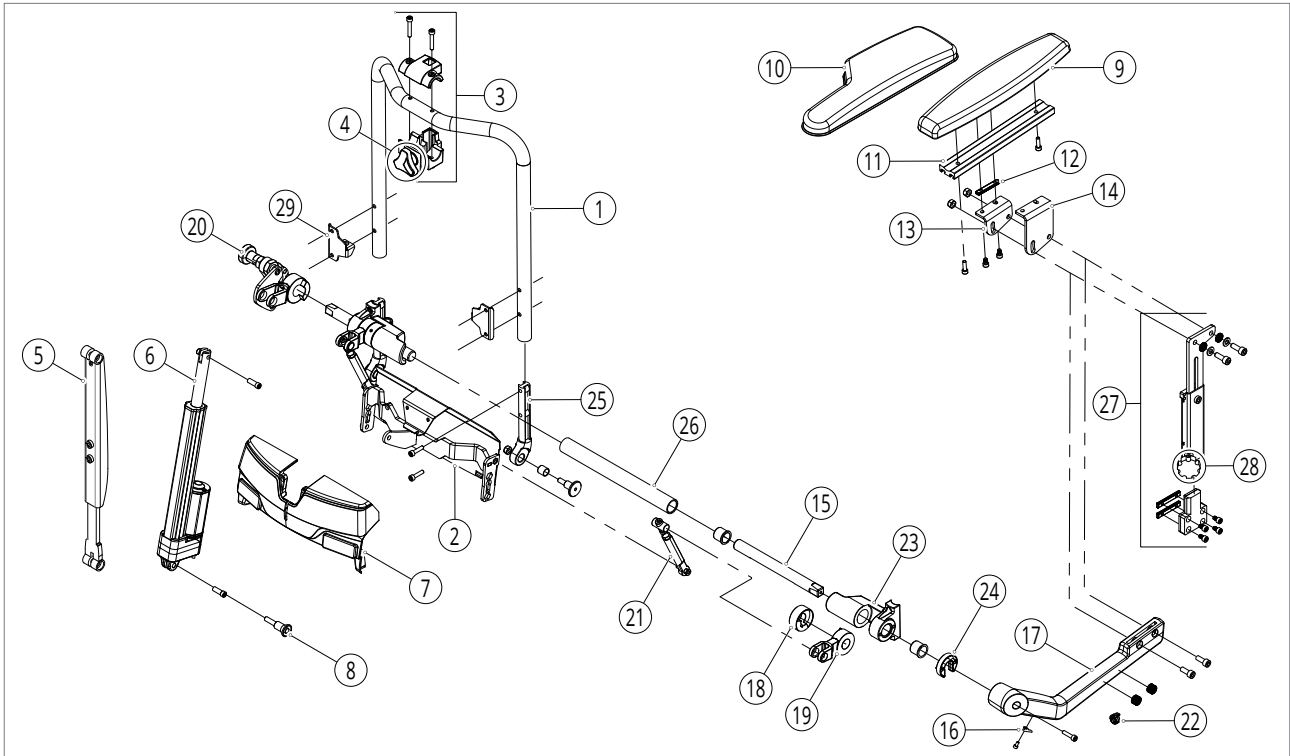
* See page 3 for more information

3.2. Xxl seat frame and lighting



Pos no	Item no	Description	Per chair
1	5001241	Seat frame base (xxl)	1
2	5001242	Slider back frame (xxl)	1
3	5001874	Side reflector sticker 2 pieces	1
4	5000592	Clamp block seat mounting rail / legrest	2
5	5000593	Head light E-mark incl. mounting material (without cables)	2
5	5000594	Head light K-mark incl. mounting material (without cables)	2
6	5000595	Tail light incl. mounting material (without cables)	2
5+6	5000035	R-net lights & indicators E-Mark, set (without cables)	1
5+6	5000596	R-net lights & indicators K-Mark (for Germany), set (without cables)	1
5+6	5001507	VR2 Lighting E-mark, set, incl. lighting module and cables	1
5+6	5001508	VR2 Lighting K-mark, set, incl. lighting module and cables	1
7	5001243	Light bracket (xxl)	2
8	5000598	Receiver standard and angle adjustable legrest, right	1
8	5000599	Receiver standard and angle adjustable legrest, left	1
9	5000602	Power legrest connecter plug	2
8+9	5000600	Receiver power legrest, right (when mounted on chair delivered before 15 January 2019, also order 5000709 lift-tilt cable long)	1
8+9	5000601	Receiver power legrest, left (when mounted on chair delivered before 15 January 2019, also order 5000709 lift-tilt cable long)	1
10	5000871	Centre mount legrest mounting tube and fillblock	1
11	5001245	ISM mounting bracket	1

3.3. Advanced / slimline backrest frame and armrests

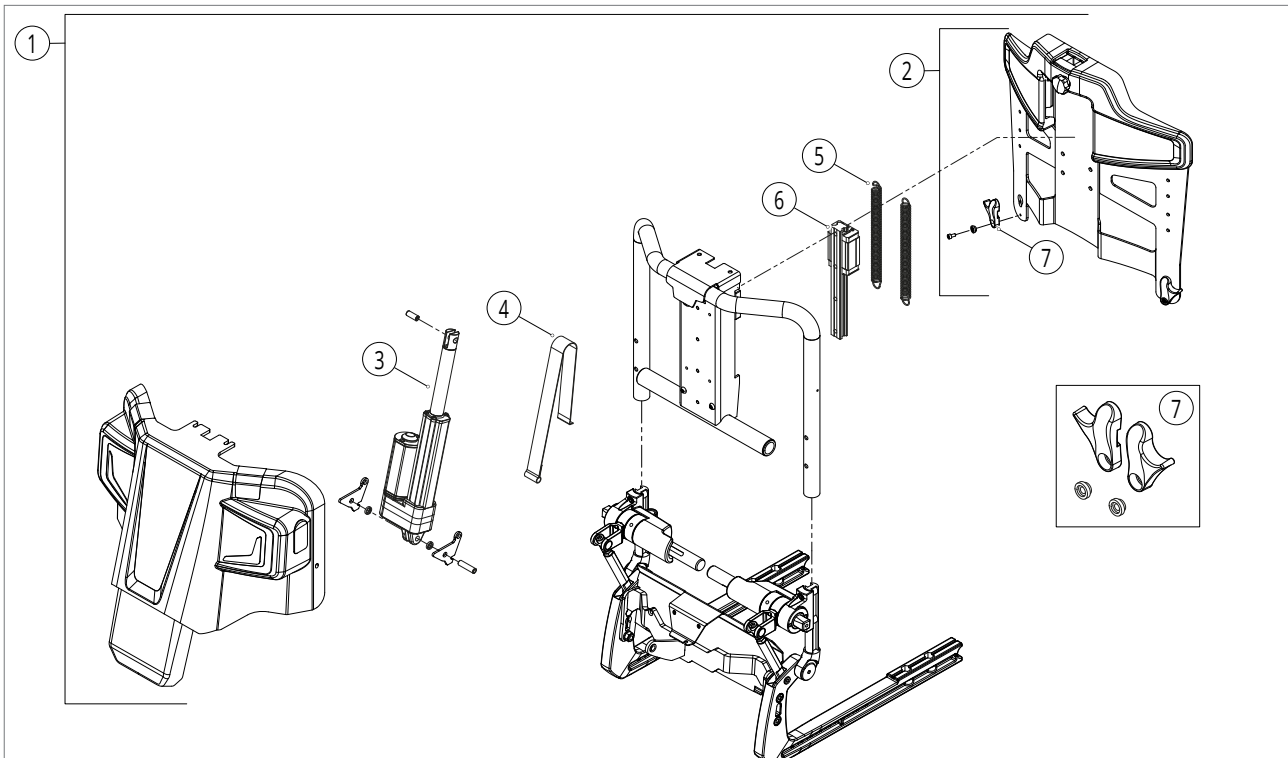


Pos no	Item no	Description	Per chair
1	5000603	Backrest frame tube	1
2	5000604	Backrest recline mounting / ISM mounting bracket	1
3	5001844	Backrest recline mounting / headrest receiver block	1
4	5001849	DIETZ star grip	1
-	5001845	Backrest recline mounting / headrest receiver block for gas strut	1
5	5000606	Manual adjustable recline (tool)	1
-	5001846	Manual adjustable recline (gas strut)	1
6	5001779	Junior powered backrest actuator 30° short cable	1
6	5001780	Junior powered backrest actuator 30° long cable	1
6	5000608	Powered backrest actuator 30° short cable	1
6	5000609	Powered backrest actuator 30° long cable	1
6	5000610	Powered backrest actuator 45°	1
-	5001345	Powered backrest actuator 45°, complete	1
7	5000611	Cover ISM module	1
8	5000612	Quick release pin 8mm x 20 mm	1
9	5000034	Armpad PU incl. mounting (R=L)	2
9	5000626	Armpad upholstered, 30 cm incl. mounting (R=L)	2
9	5001834	Armpad upholstered, 30 cm, finish air mesh, incl. mounting (R=L)	2
9	5000627	Armpad upholstered, 40 cm incl. mounting (R=L)	2
9	5001835	Armpad upholstered, 40 cm, finish air mesh, incl. mounting (R=L)	2
10	5001162	Armpad P-shape upholstered 40 cm, right	1
10	5001163	Armpad P-shape upholstered 40 cm, left	1
-	5001617	Hemi armpad with hand part flat, right	1
-	5001618	Hemi armpad with hand part flat, left	1
-	5001619	Hemi 70 mm extension	1
11	5000952	Armrest mounting rail	2
12	5001202	Casted clamp strip long, 10 pieces	1
13	5000624	Armrest pad angle adjustment bracket, right	1

Pos no	Item no	Description	Per chair
13	5000625	Armrest pad angle adjustment bracket, left	1
14	5001200	Armrest raiser 40 mm, right	1
14	5001274	Armrest raiser 40 mm, left	1
15	5000615	Armrest shaft (R=L)	2
16	5000953	Cable support armrest, 10 pieces	3
17	5000613	Armrest, right	1
17	5000614	Armrest, left	1
18	5000616	Width adjustment angle blocking	2
19	5000617	Lever angle adjustment	2
20	5001886	Flip-up armrest locking mechanism, right	1
20	5001887	Flip-up armrest locking mechanism, left	1
21	5000618	Armrest height adjustment	2
22	5001558	R-net cable connector clip, flip-up armrest	1
23	5000619	Armrest hinge	2
24	5000989	Fill rings, 10 pieces	-
25	5000620	Hinge back frame bottom	2
26	5000622	Tube armrest red	1
26	5000621	Tube armrest blue	1
26	5000623	Tube armrest gold	1
26	5001214	Tube armrest black	1
26	5001452	Tube armrest white	1
27	5001155	Comfort armrest detachable, set	1
27	5001246	Comfort armrest detachable, right	1
27	5001247	Comfort armrest detachable, left	1
27	5001154	Junior armrest detachable, set	1
27	5001250	Junior armrest detachable, right	1
27	5001251	Junior armrest detachable, left	1
28	5001611	Star grip M8x20 (5 pieces)	2
29	5001264	Mounting plate backrest cushion, needed with detachable armrests, set	1
		Parts till	
-	5000605	Backrest recline mounting / hearest receiver block, till February 2023	1
-	5000607	Manual adjustable recline (gas strut), till February 2023	1

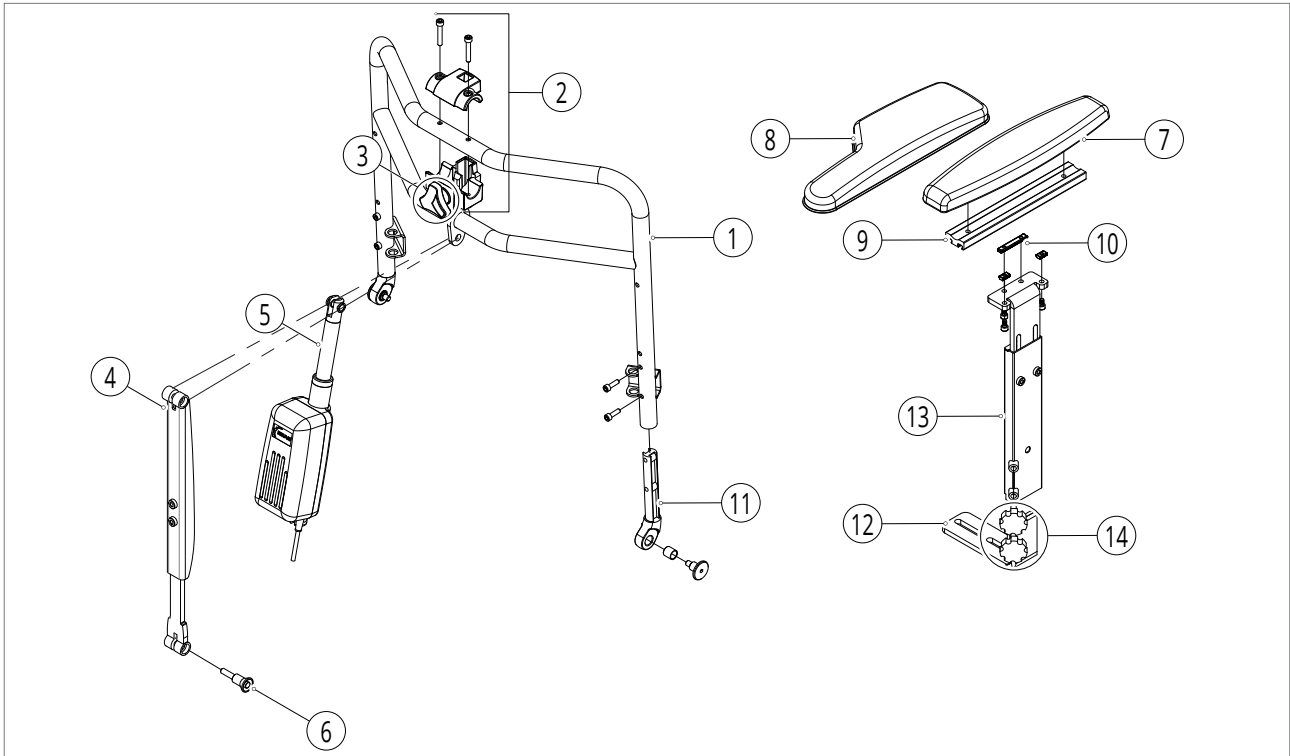
Seating

3.4. SEGO biomechanical backrest 45 degrees



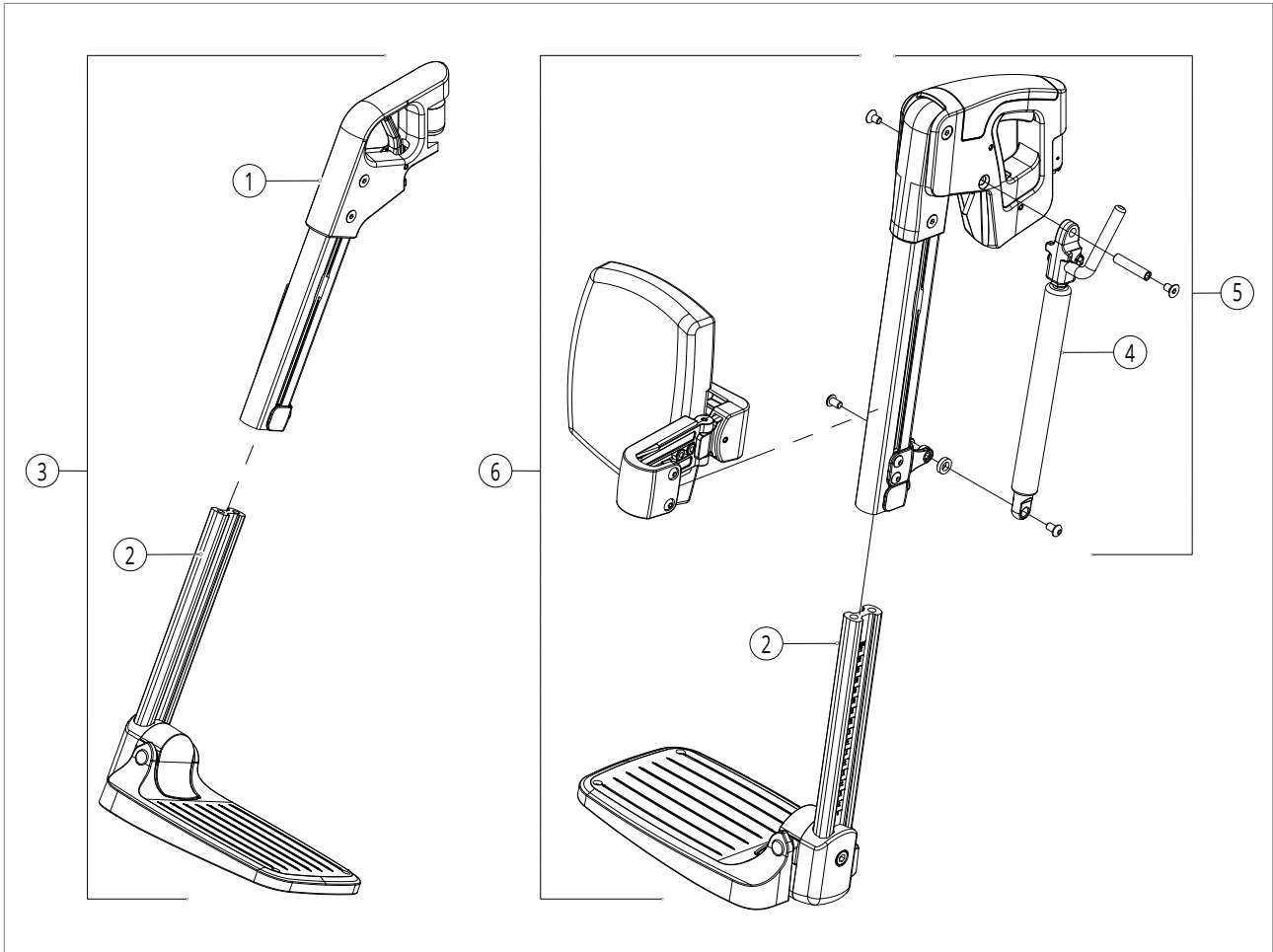
Pos no	Item no	Description	Per chair
1	5001911	Bio 45° backrest, complete	1
2	5001912	Bio 45° backrest base plate, incl. headrest receiver	1
3	5001825	Bio 45° backrest actuator, incl. mounting	1
4	5001826	Bio 45° backrest belt	1
5	5001827	Bio 45° backrest spring, set	1
6	5001828	Bio 45° backrest guide rail and block	1
-	5001829	Lubricant for guide rail and block	1
7	5001830	Bio 45° backrest cushion locking clip, set	1

3.5. Xxl backrest frame and armrests



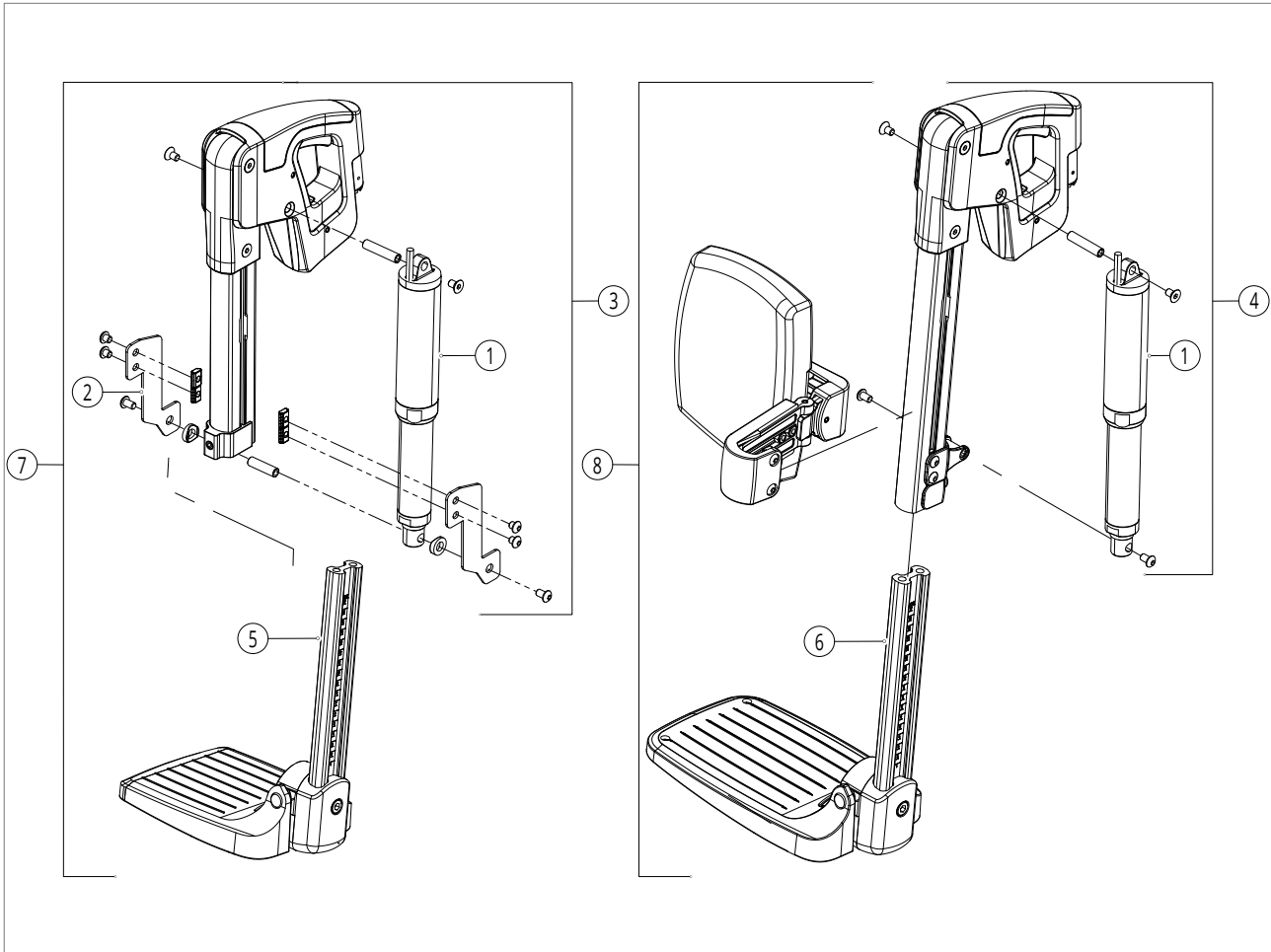
Pos no	Item no	Description	Per chair
1	5001254	Backrest frame tube (xxl)	1
2	5001844	Backrest recline mounting / headrest receiver block	1
3	5001849	DIETZ star grip	1
-	5001845	Backrest recline mounting / headrest receiver block for gas strut	1
4	5001255	Manual adjustable recline (tool) (xxl)	1
-	5001256	Manual adjustable recline (gas strut) (xxl)	1
5	5001257	Powered backrest actuator 30° (xxl)	1
6	5001259	Quick release pin 8mm x 20 mm (xxl)	1
7	5000034	Armpad PU incl. mounting (R=L)	2
7	5000626	Armpad upholstered, 30 cm incl. mounting (R=L)	2
7	5000627	Armpad upholstered, 40 cm incl. mounting (R=L)	2
8	5001162	Armpad P-shape upholstered 40 cm, right	1
8	5001163	Armpad P-shape upholstered 40 cm, left	1
9	5000952	Armrest mounting rail	2
10	5001202	Casted clamp strip long, 10 pieces	1
11	5000620	Hinge back frame bottom	2
12	5001260	Armrest receiver (R=L)	2
13	5001313	Xxl armrest detachable, right	1
13	5001314	Xxl armrest detachable, left	1
14	5001611	Star grip M8x20 (5 pieces)	4
		Parts till	
-	5000605	Backrest recline mounting / headrest receiver block, till February 2023	1

3.6. Standard / comfort legrest



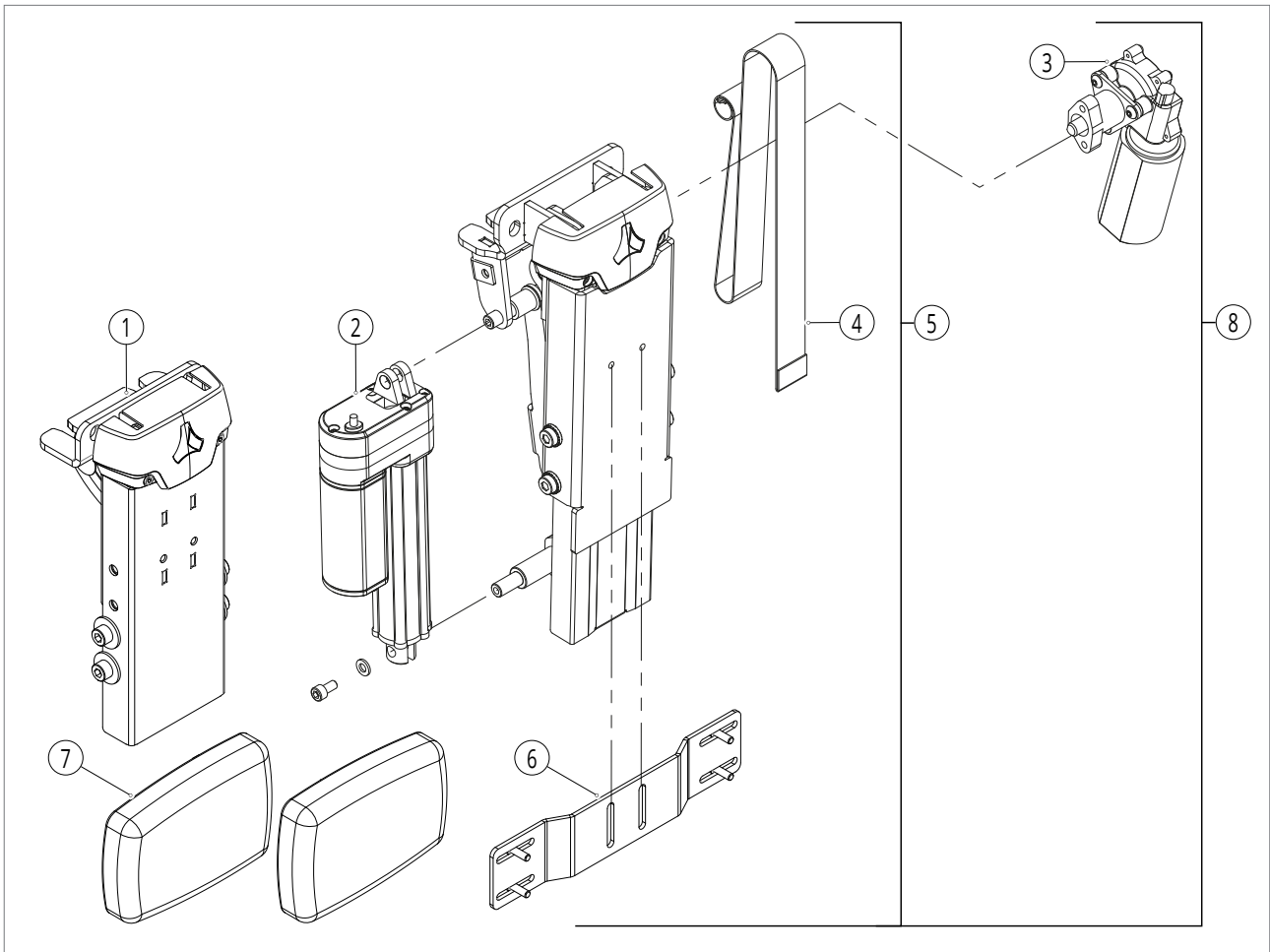
Pos no	Item no	Description	Per chair
1	5001466	Junior footrest upper part, right	1
1	5001467	Junior footrest upper part, left	1
1	5001149	Footrest upper part, right	1
1	5001150	Footrest upper part, left	1
-	5001509	Internal legrest cable with female connector	2
2	5001490	Junior footrest lower part, footplate small	2
2	5000630	Footrest lower part, footplate small	2
2	5000631	Footrest lower part, footplate large	2
3	5001488	Junior footrest with footplate small, right	1
3	5001489	Junior footrest with footplate small, left	1
3	5000020	Footrest with footplate small, right	1
3	5000021	Footrest with footplate small, left	1
3	5000632	Footrest with footplate large, right	1
3	5000633	Footrest with footplate large, left	1
4	5000636	Gaspring for angle adjustable legrest	1
5	5000634	Angle adjustable legrest upper part, incl. gaspring and lever, right	1
5	5000635	Angle adjustable legrest upper part, incl. gaspring and lever, left	1
6	5000015	Angle adjustable legrest with PU calf plate, footplate small, right	1
6	5000016	Angle adjustable legrest with PU calf plate, footplate small, left	1
6	5000637	Angle adjustable legrest with PU calf plate, footplate large, right	1
6	5000638	Angle adjustable legrest with PU calf plate, footplate large, left	1
-	-	Calf plates and legrest accessories see drawing 3.9	-
-	-	For SANGO xxl parts please contact DIETZ Power	-

3.7. Powered articulating legrest



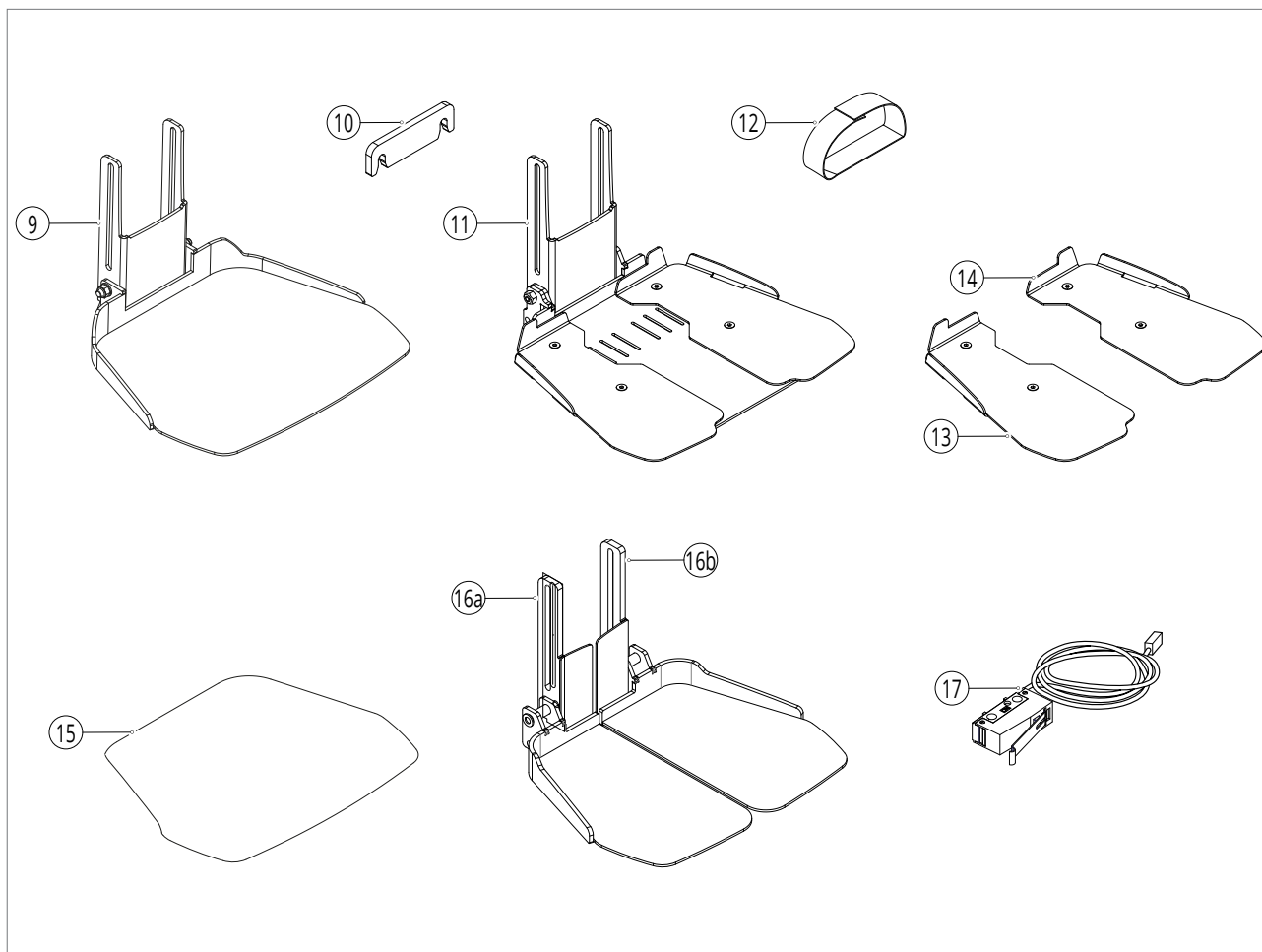
Pos no	Item no	Description	Per chair
1	5001511	Actuator for powered legrest	2
2	5001465	Bracket for mounting actuator on junior legrest	2
3	5001512	Junior powered legrest upper part, right	1
3	5001513	Junior powered legrest upper part, left	1
4	5001514	Powered legrest upper part, right	1
4	5001515	Powered legrest upper part, left	1
5	5001490	Junior footrest lower part, footplate small	2
6	5000630	Footrest lower part, footplate small	2
6	5000631	Footrest lower part, footplate large	2
7	5001516	Junior powered legrest with PU calf plates, footplate small, right	1
7	5001517	Junior powered legrest with PU calf plates, footplate small, left	1
8	5001518	Powered legrest with PU calf plates, footplate small, right	1
8	5001519	Powered legrest with PU calf plates, footplate small, left	1
8	5001520	Powered legrest with PU calf plates, footplate large, right	1
8	5001521	Powered legrest with PU calf plates, footplate large, left	1
-	-	Calf plates and legrest accessories see drawing 3.9	-
		Parts till	
-	5000645	Actuator for powered legrest till Jan '21	2

3.8. Centre mount legrest



Pos no	Item no	Description	Per chair
1	5001608	Mechanical centre mount legrest, upper part	1
2	5000650	FWD/MWD Powered centre mount legrest, angle actuator	1
2	5001297	RWD Powered centre mount legrest, angle actuator	1
3	5000651	Powered centre mount legrest, length motor	1
4	5000652	Powered centre mount legrest belt	1
5	5001286	Junior FWD/MWD Powered centre mount legrest, upper part, incl. calf supports	1
5	5001188	FWD/MWD Powered centre mount legrest, upper part, incl. calf supports	1
5	5001287	Junior RWD Powered centre mount legrest, upper part, incl. calf supports	1
5	5001282	RWD Powered centre mount legrest, upper part, incl. calf supports	1
5	5001284	SANGO xxl Powered centre mount legrest, upper part, incl. calf supports	1
6	5001609	Calf plate bracket for (powered) centre mount legrest	1
7	5001339	(Powered) centre mount calf plate cushion, set	1
8	5001189	FWD/MWD Powered centre mount Transfer legrest, upper part, incl. calf supports	1
8	5001283	RWD Powered centre mount Transfer legrest, upper part, incl. calf supports	1
8	5001285	SANGO xxl Powered centre mount Transfer legrest, upper part, incl. calf supports	1
8	5001326	FWD/MWD Powered centre mount Transfer legrest, independent, upper part, incl. calf supports	1
8	5001327	RWD Powered centre mount Transfer legrest, independent, upper part, incl. calf supports	1

Centre mount legrest - continuation

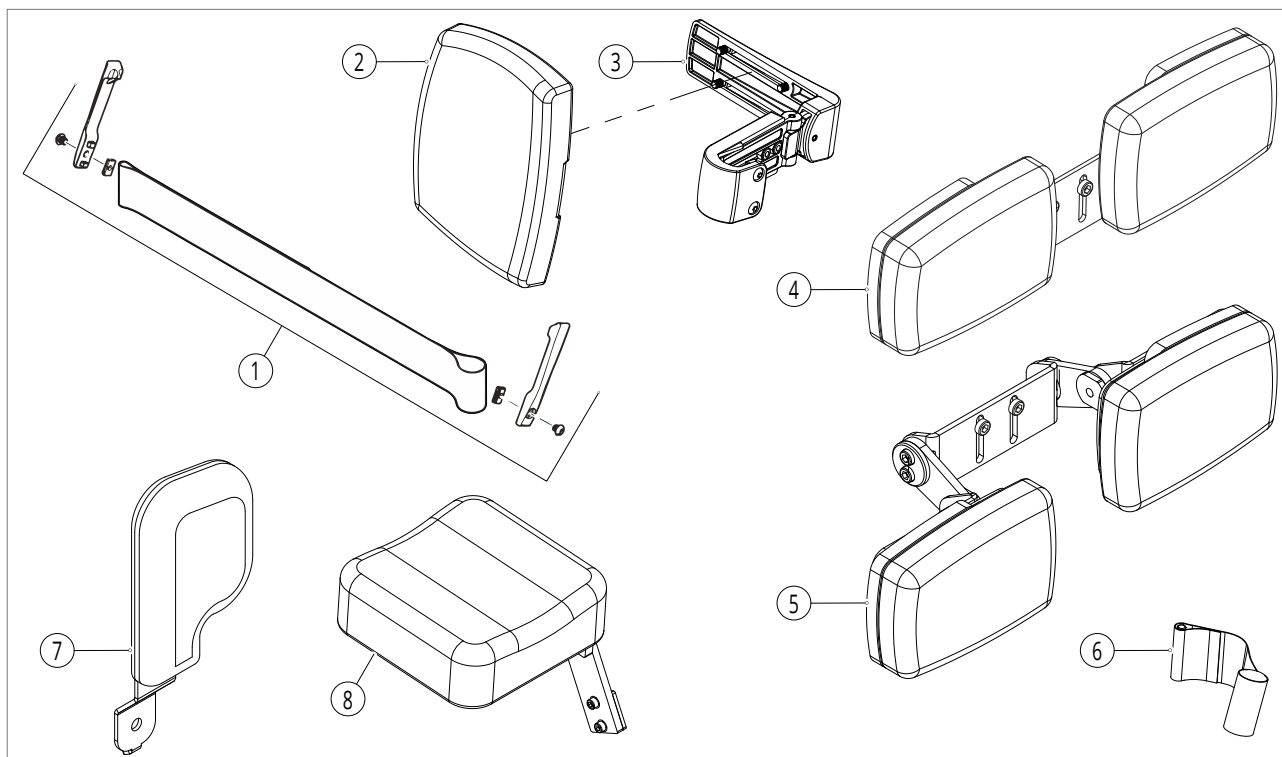


Pos no	Item no	Description	Per chair
8	5001328	SANGO xxl Powered centre mount Transfer legrest, independent, upper part, incl. calf supports	1
-	5001329	Footplate rollers	1
9	5001193	(Powered) centre mount legrest, lower part with footplate 15 cm Junior	1
		IF TRANSFER LEGREST OPTION ON WHEELCHAIR, ALSO ORDER ITEM NUMBER 5001329	
9	5001190	(Powered) centre mount legrest, lower part with footplate 24 cm (advanced)	1
9	5001192	(Powered) centre mount legrest, lower part with footplate 18 cm (slimline)	1
9	5001194	(Powered) centre mount legrest, lower part with footplate 34 cm SANGO xxl	1
10	5001195	Fillblock centre mount legrest SANGO xxl, 2 pieces	1
		IF TRANSFER LEGREST OPTION ON WHEELCHAIR, ALSO ORDER ITEM NUMBER 5001329	
11	5001548	(Powered) centre mount legrest, lower part with width adjustable footplate, small (19-26cm)	1
11	5001549	(Powered) centre mount legrest, lower part with width adjustable footplate, large (25-33 cm)	1
12	5001550	Foot fixation belt for width adjustable footplate	2
13	5001551	Side plate width adjustable footplate, small, right	1
13	5001553	Side plate width adjustable footplate, large, right	1
14	5001552	Side plate width adjustable footplate, small, left	1
14	5001554	Side plate width adjustable footplate, large, left	1
15	5001330	Foam layer centre mount footplate 15 cm Junior	1
15	5001331	Foam layer centre mount footplate 24 cm (advanced)	1

Seating

Pos no	Item no	Description	Per chair
15	5001332	Foam layer centre mount footplate 15 cm (slimline)	1
15	5001333	Foam layer centre mount footplate 18 cm (slimline)	1
15	5001334	Foam layer centre mount footplate 34 cm SANGO xxl	1
16a	5001478	Split footplate SANGO advanced, right	1
16b	5001479	Split footplate SANGO advanced, left	1
16a+b	5001306	Split footplates SANGO advanced, set	1
17	5000992	Inhibit switch for powered centre mount Transfer legrest 90°	1
17	5001278	Inhibit cable power centre mount Transfer legrest	1
-	5001746	Lower Inhibit switch central legrest (footplate)	1
-	5001276	Brake circuit	1
-	-	Calf plates and legrest accessories see drawing 3.9	-
		Parts till	
-	5000955	Mechanical centre mount legrest, lower part with footplate Junior, till 24-08-2021	1
-	5000954	Mechanical centre mount legrest, lower part with footplate 18 cm (slimline), till 24-08-2021	1
-	5000956	Mechanical centre mount legrest, lower part with footplate SANGO xxl, till 24-08-2021	1
-	5000649	Calf plate bracket, till 24-08-2021	1
-	5001335	Inhibit cables power centre mount Transfer legrest till SN0121657, June 2020	1
-	5000973	Powered centre mount legrest, upper part, incl. calf plates, till 26-07-2019	1
-	5000974	Powered centre mount Transfer legrest, upper part, incl. calf plates, till 26-07-2019	1
-	5000961	Powered centre mount legrest, lower part with footplate 24 cm (advanced), till 26-07-2019	1
-	5000962	Powered centre mount legrest, lower part with footplate 15 cm (slimline), till 26-07-2019	1
-	5000963	Powered centre mount legrest, lower part with footplate 18 cm (slimline), till 26-07-2019	1
-	5000964	Powered centre mount legrest, lower part with footplate 15 cm Junior, till 26-07-2019	1

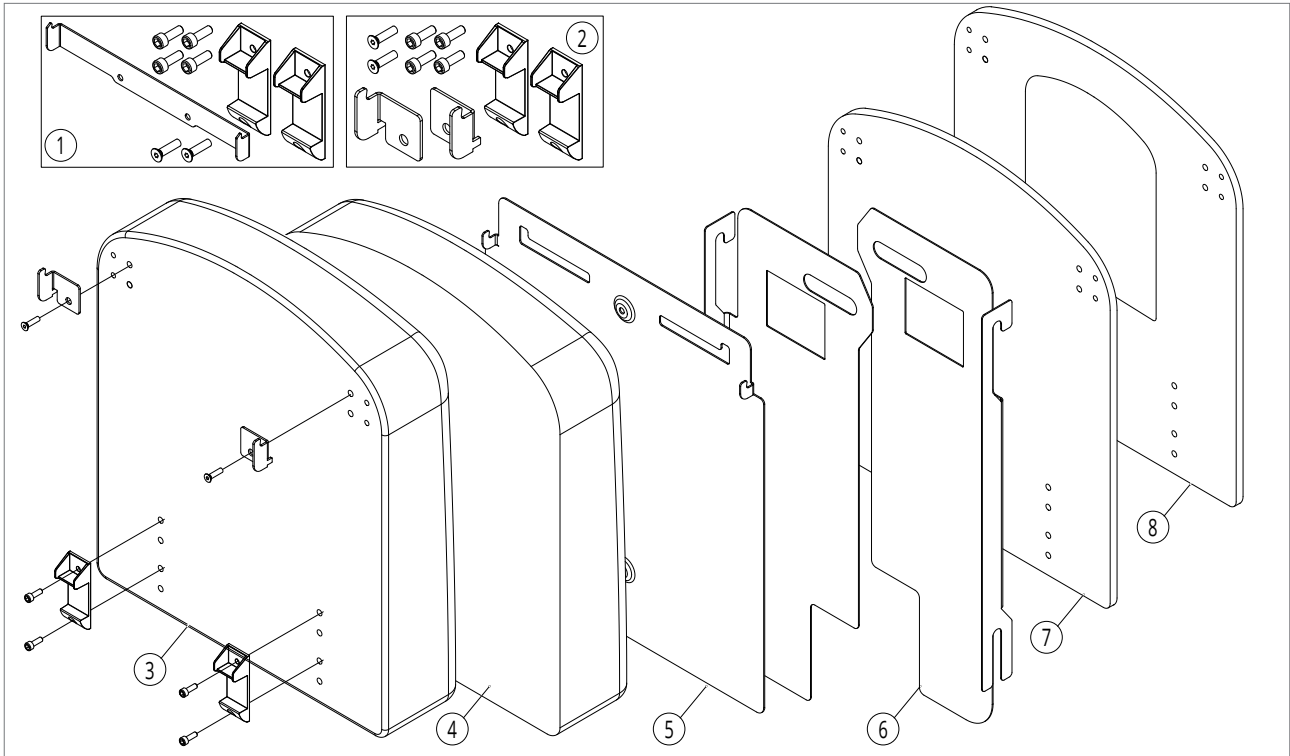
3.9. Legrest accessories



Pos no	Item no	Description	Per chair
1	5000011	Calf Strap	1
1	5000037	Calf Strap (xxl)	1
2	5000656	Upholstered calf plate, set	1
2	5000658	PU calf plate, set	1
3	5000660	Calf plate bracket, depth adjustable	2
4	5001752	Calf plate bracket for (powered) centre mount legrest, incl. cushions	1
6	5000012	Heel support (R=L)	2
-	5000661	Toe strap (R=L)	2
7	5000662	Knee pad incl. mounting, right	1
7	5000663	Knee pad incl. mounting, left	1
8	5000664	Amputation Support, right	1
8	5000665	Amputation Support, left	1

4. Upholstery

4.1. Seat cushions



Pos no	Item no	Description	Per chair
1	5001832	Junior seat cushion mounting	1
2	5000197	Seat cushion mounting	1
	(C)	When seat cushion needed for catapult, order the item with C added to the article number	
		Seat cushion with integrated wooden base	
3	5000999	Contour seat (vinyl) 32x30	1
3	5001000	Contour seat (vinyl) 37x30	1
3	5001001	Contour seat (vinyl) 32x35	1
3	5001002	Contour seat (vinyl) 37x35	1
3	5001003	Contour seat (vinyl) 32x40	1
3	5001004	Contour seat (vinyl) 37x40	1
3	5000204(C)	Contour seat (vinyl) 42x48	1
3	5000205(C)	Contour seat (vinyl) 44x48	1
3	5000206(C)	Contour seat (vinyl) 46x48	1
3	5000207(C)	Contour seat (vinyl) 48x48	1
3	5000208(C)	Contour seat (vinyl) 50x48	1
3	5000209(C)	Contour seat (vinyl) 52x48	1
3	5000210(C)	Contour seat (vinyl) 54x48	1
3	5000211(C)	Contour seat (vinyl) 60x48	1
3	5000212(C)	Contour seat (vinyl) 64x48	1
3	5000213(C)	Contour seat (vinyl) 42x55	1
3	5000214(C)	Contour seat (vinyl) 44x55	1
3	5000215(C)	Contour seat (vinyl) 46x55	1
3	5000216(C)	Contour seat (vinyl) 48x55	1
3	5000217(C)	Contour seat (vinyl) 50x55	1
3	5000218(C)	Contour seat (vinyl) 52x55	1
3	5000219(C)	Contour seat (vinyl) 54x55	1
3	5000220(C)	Contour seat (vinyl) 60x55	1
3	5000221(C)	Contour seat (vinyl) 64x55	1
3	5001005	Contour seat (air) 32x30	1
3	5001006	Contour seat (air) 37x30	1

Pos no	Item no	Description	Per chair
3	5001007	Contour seat (air) 32x35	1
3	5001008	Contour seat (air) 37x35	1
3	5001009	Contour seat (air) 32x40	1
3	5001010	Contour seat (air) 37x40	1
3	5000222(C)	Contour seat (air) 42x48	1
3	5000223(C)	Contour seat (air) 44x48	1
3	5000224(C)	Contour seat (air) 46x48	1
3	5000225(C)	Contour seat (air) 48x48	1
3	5000226(C)	Contour seat (air) 50x48	1
3	5000227(C)	Contour seat (air) 52x48	1
3	5000228(C)	Contour seat (air) 54x48	1
3	5000229(C)	Contour seat (air) 60x48	1
3	5000230(C)	Contour seat (air) 64x48	1
3	5000231(C)	Contour seat (air) 42x55	1
3	5000232(C)	Contour seat (air) 44x55	1
3	5000233(C)	Contour seat (air) 46x55	1
3	5000234(C)	Contour seat (air) 48x55	1
3	5000235(C)	Contour seat (air) 50x55	1
3	5000236(C)	Contour seat (air) 52x55	1
3	5000237(C)	Contour seat (air) 54x55	1
3	5000238(C)	Contour seat (air) 60x55	1
3	5000239(C)	Contour seat (air) 64x55	1
3	5000240(C)	Contour partially strapped seat (air) 42x48	1
3	5000241(C)	Contour partially strapped seat (air) 44x48	1
3	5000242(C)	Contour partially strapped seat (air) 46x48	1
3	5000243(C)	Contour partially strapped seat (air) 48x48	1
3	5000244(C)	Contour partially strapped seat (air) 50x48	1
3	5000245(C)	Contour partially strapped seat (air) 52x48	1
3	5000246(C)	Contour partially strapped seat (air) 54x48	1
3	5000247(C)	Contour partially strapped seat (air) 60x48	1
3	5000248(C)	Contour partially strapped seat (air) 64x48	1
3	5000249(C)	Contour partially strapped seat (air) 42x55	1
3	5000250(C)	Contour partially strapped seat (air) 44x55	1
3	5000251(C)	Contour partially strapped seat (air) 46x55	1
3	5000252(C)	Contour partially strapped seat (air) 48x55	1
3	5000253(C)	Contour partially strapped seat (air) 50x55	1
3	5000254(C)	Contour partially strapped seat (air) 52x55	1
3	5000255(C)	Contour partially strapped seat (air) 54x55	1
3	5000256(C)	Contour partially strapped seat (air) 60x55	1
3	5000257(C)	Contour partially strapped seat (air) 64x55	1
3	5000258(C)	Contour partially strapped seat (stretchrubber) 42x48	1
3	5000259(C)	Contour partially strapped seat (stretchrubber) 44x48	1
3	5000260(C)	Contour partially strapped seat (stretchrubber) 46x48	1
3	5000261(C)	Contour partially strapped seat (stretchrubber) 48x48	1
3	5000262(C)	Contour partially strapped seat (stretchrubber) 50x48	1
3	5000263(C)	Contour partially strapped seat (stretchrubber) 52x48	1
3	5000264(C)	Contour partially strapped seat (stretchrubber) 54x48	1
3	5000265(C)	Contour partially strapped seat (stretchrubber) 60x48	1
3	5000266(C)	Contour partially strapped seat (stretchrubber) 64x48	1
3	5000267(C)	Contour partially strapped seat (stretchrubber) 42x55	1
3	5000268(C)	Contour partially strapped seat (stretchrubber) 44x55	1
3	5000269(C)	Contour partially strapped seat (stretchrubber) 46x55	1
3	5000270(C)	Contour partially strapped seat (stretchrubber) 48x55	1
3	5000271(C)	Contour partially strapped seat (stretchrubber) 50x55	1
3	5000272(C)	Contour partially strapped seat (stretchrubber) 52x55	1
3	5000273(C)	Contour partially strapped seat (stretchrubber) 54x55	1
3	5000274(C)	Contour partially strapped seat (stretchrubber) 60x55	1
3	5000275(C)	Contour partially strapped seat (stretchrubber) 64x55	1

Upholstery

Pos no	Item no	Description	Per chair
3	5001023	Anatomic formed seat (air) 32x30	1
3	5001024	Anatomic formed seat (air) 37x30	1
3	5001025	Anatomic formed seat (air) 32x35	1
3	5001026	Anatomic formed seat (air) 37x35	1
3	5001027	Anatomic formed seat (air) 32x40	1
3	5001028	Anatomic formed seat (air) 37x40	1
3	5000276(C)	Anatomic Formed seat (air) 42x48	1
3	5000277(C)	Anatomic Formed seat (air) 44x48	1
3	5000278(C)	Anatomic Formed seat (air) 46x48	1
3	5000279(C)	Anatomic Formed seat (air) 48x48	1
3	5000280(C)	Anatomic Formed seat (air) 50x48	1
3	5000281(C)	Anatomic Formed seat (air) 52x48	1
3	5000282(C)	Anatomic Formed seat (air) 54x48	1
3	5000283(C)	Anatomic Formed seat (air) 60x48	1
3	5000284(C)	Anatomic Formed seat (air) 64x48	1
3	5000285(C)	Anatomic Formed seat (air) 42x55	1
3	5000286(C)	Anatomic Formed seat (air) 44x55	1
3	5000287(C)	Anatomic Formed seat (air) 46x55	1
3	5000288(C)	Anatomic Formed seat (air) 48x55	1
3	5000289(C)	Anatomic Formed seat (air) 50x55	1
3	5000290(C)	Anatomic Formed seat (air) 52x55	1
3	5000291(C)	Anatomic Formed seat (air) 54x55	1
3	5000292(C)	Anatomic Formed seat (air) 60x55	1
3	5000293(C)	Anatomic Formed seat (air) 64x55	1
3	5001029	Anatomic Formed seat (stretchrubber) 32x30	1
3	5001030	Anatomic Formed seat (stretchrubber) 37x30	1
3	5001031	Anatomic Formed seat (stretchrubber) 32x35	1
3	5001032	Anatomic Formed seat (stretchrubber) 37x35	1
3	5001033	Anatomic Formed seat (stretchrubber) 32x40	1
3	5001034	Anatomic Formed seat (stretchrubber) 37x40	1
3	5000294(C)	Anatomic Formed seat (stretchrubber) 42x48	1
3	5000295(C)	Anatomic Formed seat (stretchrubber) 44x48	1
3	5000296(C)	Anatomic Formed seat (stretchrubber) 46x48	1
3	5000297(C)	Anatomic Formed seat (stretchrubber) 48x48	1
3	5000298(C)	Anatomic Formed seat (stretchrubber) 50x48	1
3	5000299(C)	Anatomic Formed seat (stretchrubber) 52x48	1
3	5000300(C)	Anatomic Formed seat (stretchrubber) 54x48	1
3	5000301(C)	Anatomic Formed seat (stretchrubber) 60x48	1
3	5000302(C)	Anatomic Formed seat (stretchrubber) 64x48	1
3	5000303(C)	Anatomic Formed seat (stretchrubber) 42x55	1
3	5000304(C)	Anatomic Formed seat (stretchrubber) 44x55	1
3	5000305(C)	Anatomic Formed seat (stretchrubber) 46x55	1
3	5000306(C)	Anatomic Formed seat (stretchrubber) 48x55	1
3	5000307(C)	Anatomic Formed seat (stretchrubber) 50x55	1
3	5000308(C)	Anatomic Formed seat (stretchrubber) 52x55	1
3	5000309(C)	Anatomic Formed seat (stretchrubber) 54x55	1
3	5000310(C)	Anatomic Formed seat (stretchrubber) 60x55	1
3	5000311(C)	Anatomic Formed seat (stretchrubber) 64x55	1
3	5001035	Anatomic Formed Visco seat (air) 32x30	1
3	5001036	Anatomic Formed Visco seat (air) 37x30	1
3	5001037	Anatomic Formed Visco seat (air) 32x35	1
3	5001038	Anatomic Formed Visco seat (air) 37x35	1
3	5001039	Anatomic Formed Visco seat (air) 32x40	1
3	5001040	Anatomic Formed Visco seat (air) 37x40	1
3	5000312(C)	Anatomic Formed Visco seat (air) 42x48	1
3	5000313(C)	Anatomic Formed Visco seat (air) 44x48	1
3	5000314(C)	Anatomic Formed Visco seat (air) 46x48	1
3	5000315(C)	Anatomic Formed Visco seat (air) 48x48	1

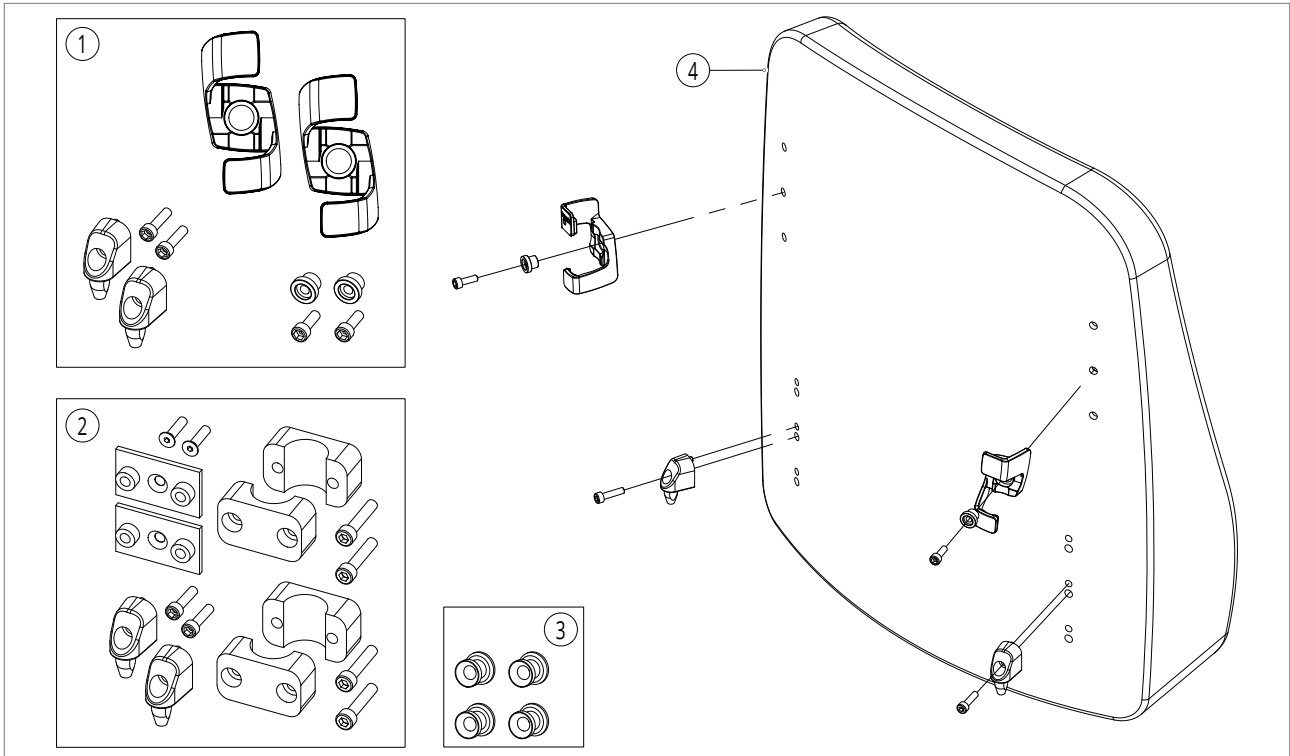
Pos no	Item no	Description	Per chair
3	5000316(C)	Anatomic Formed Visco seat (air) 50x48	1
3	5000317(C)	Anatomic Formed Visco seat (air) 52x48	1
3	5000318(C)	Anatomic Formed Visco seat (air) 54x48	1
3	5000319(C)	Anatomic Formed Visco seat (air) 60x48	1
3	5000320(C)	Anatomic Formed Visco seat (air) 64x48	1
3	5000321(C)	Anatomic Formed Visco seat (air) 42x55	1
3	5000322(C)	Anatomic Formed Visco seat (air) 44x55	1
3	5000323(C)	Anatomic Formed Visco seat (air) 46x55	1
3	5000324(C)	Anatomic Formed Visco seat (air) 48x55	1
3	5000325(C)	Anatomic Formed Visco seat (air) 50x55	1
3	5000326(C)	Anatomic Formed Visco seat (air) 52x55	1
3	5000327(C)	Anatomic Formed Visco seat (air) 54x55	1
3	5000328(C)	Anatomic Formed Visco seat (air) 60x55	1
3	5000329(C)	Anatomic Formed Visco seat (air) 64x55	1
3	5001041	Anatomic Formed Visco seat (stretchrubber) 32x30	1
3	5001042	Anatomic Formed Visco seat (stretchrubber) 37x30	1
3	5001043	Anatomic Formed Visco seat (stretchrubber) 32x35	1
3	5001044	Anatomic Formed Visco seat (stretchrubber) 37x35	1
3	5001045	Anatomic Formed Visco seat (stretchrubber) 32x40	1
3	5001046	Anatomic Formed Visco seat (stretchrubber) 37x40	1
3	5000330(C)	Anatomic Formed Visco seat (stretchrubber) 42x48	1
3	5000331(C)	Anatomic Formed Visco seat (stretchrubber) 44x48	1
3	5000332(C)	Anatomic Formed Visco seat (stretchrubber) 46x48	1
3	5000333(C)	Anatomic Formed Visco seat (stretchrubber) 48x48	1
3	5000334(C)	Anatomic Formed Visco seat (stretchrubber) 50x48	1
3	5000335(C)	Anatomic Formed Visco seat (stretchrubber) 52x48	1
3	5000336(C)	Anatomic Formed Visco seat (stretchrubber) 54x48	1
3	5000337(C)	Anatomic Formed Visco seat (stretchrubber) 60x48	1
3	5000338(C)	Anatomic Formed Visco seat (stretchrubber) 64x48	1
3	5000339(C)	Anatomic Formed Visco seat (stretchrubber) 42x55	1
3	5000340(C)	Anatomic Formed Visco seat (stretchrubber) 44x55	1
3	5000341(C)	Anatomic Formed Visco seat (stretchrubber) 46x55	1
3	5000342(C)	Anatomic Formed Visco seat (stretchrubber) 48x55	1
3	5000343(C)	Anatomic Formed Visco seat (stretchrubber) 50x55	1
3	5000344(C)	Anatomic Formed Visco seat (stretchrubber) 52x55	1
3	5000345(C)	Anatomic Formed Visco seat (stretchrubber) 54x55	1
3	5000346(C)	Anatomic Formed Visco seat (stretchrubber) 60x55	1
3	5000347(C)	Anatomic Formed Visco seat (stretchrubber) 64x55	1
		Seat cushion foam with velcro base	-
4	5000878	Contour seat (air) 42x48, Velcro	1
4	5001400	Contour seat (air) 44x48, Velcro	1
4	5000879	Contour seat (air) 46x48, Velcro	1
4	5001401	Contour seat (air) 48x48, Velcro	1
4	5000880	Contour seat (air) 50x48, Velcro	1
4	5001402	Contour seat (air) 52x48, Velcro	1
4	5000881	Contour seat (air) 54x48, Velcro	1
4	5001385	Contour seat (air) 60x48, Velcro	1
4	5001386	Contour seat (air) 64x48, Velcro	1
4	5000882	Contour seat (air) 42x55, Velcro	1
4	5001404	Contour seat (air) 44x55, Velcro	1
4	5000883	Contour seat (air) 46x55, Velcro	1
4	5001405	Contour seat (air) 48x55, Velcro	1
4	5000884	Contour seat (air) 50x55, Velcro	1
4	5001406	Contour seat (air) 52x55, Velcro	1
4	5000885	Contour seat (air) 54x55, Velcro	1
4	5001387	Contour seat (air) 60x55, Velcro	1
4	5001388	Contour seat (air) 64x55, Velcro	1
4	5000886	Anatomic Formed seat (air) 42x48, Velcro	1

Upholstery

Pos no	Item no	Description	Per chair
4	5001408	Anatomic Formed seat (air) 44x48, Velcro	1
4	5000887	Anatomic Formed seat (air) 46x48, Velcro	1
4	5001409	Anatomic Formed seat (air) 48x48, Velcro	1
4	5000888	Anatomic Formed seat (air) 50x48, Velcro	1
4	5001410	Anatomic Formed seat (air) 52x48, Velcro	1
4	5000889	Anatomic Formed seat (air) 54x48, Velcro	1
4	5001389	Anatomic Formed seat (air) 60x48, Velcro	1
4	5001390	Anatomic Formed seat (air) 64x48, Velcro	1
4	5000890	Anatomic Formed seat (air) 42x55, Velcro	1
4	5001412	Anatomic Formed seat (air) 44x55, Velcro	1
4	5000891	Anatomic Formed seat (air) 46x55, Velcro	1
4	5001413	Anatomic Formed seat (air) 48x55, Velcro	1
4	5000892	Anatomic Formed seat (air) 50x55, Velcro	1
4	5001414	Anatomic Formed seat (air) 52x55, Velcro	1
4	5000893	Anatomic Formed seat (air) 54x55, Velcro	1
4	5001391	Anatomic Formed seat (air) 60x55, Velcro	1
4	5001392	Anatomic Formed seat (air) 64x55, Velcro	1
4	5000894	Anatomic Formed Visco seat (air) 42x48, Velcro	1
4	5001416	Anatomic Formed Visco seat (air) 44x48, Velcro	1
4	5000895	Anatomic Formed Visco seat (air) 46x48, Velcro	1
4	5001417	Anatomic Formed Visco seat (air) 48x48, Velcro	1
4	5000896	Anatomic Formed Visco seat (air) 50x48, Velcro	1
4	5001418	Anatomic Formed Visco seat (air) 52x48, Velcro	1
4	5000897	Anatomic Formed Visco seat (air) 54x48, Velcro	1
4	5001393	Anatomic Formed Visco seat (air) 60x48, Velcro	1
4	5001394	Anatomic Formed Visco seat (air) 64x48, Velcro	1
4	5000898	Anatomic Formed Visco seat (air) 42x55, Velcro	1
4	5001420	Anatomic Formed Visco seat (air) 44x55, Velcro	1
4	5000899	Anatomic Formed Visco seat (air) 46x55, Velcro	1
4	5001421	Anatomic Formed Visco seat (air) 48x55, Velcro	1
4	5000900	Anatomic Formed Visco seat (air) 50x55, Velcro	1
4	5001422	Anatomic Formed Visco seat (air) 52x55, Velcro	1
4	5000901	Anatomic Formed Visco seat (air) 54x55, Velcro	1
4	5001395	Anatomic Formed Visco seat (air) 60x55, Velcro	1
4	5001396	Anatomic Formed Visco seat (air) 64x55, Velcro	1
-	5001298	Overall stretchrubber seat cover SW=39 cm	1
-	5001299	Overall stretchrubber seat cover SW=42 cm	1
-	5001300	Overall stretchrubber seat cover SW=45 cm	1
-	5001301	Overall stretchrubber seat cover SW=48 cm	1
-	5001302	Overall stretchrubber seat cover SW=51 cm	1
-	5001303	Overall stretchrubber seat cover SW=54 cm	1
5	5001882	Metal seat plate S23	1
6	5001897	Widening plates for metal seat plate, SW ≥ 48 cm S23	1
7	5001539	Seat board (vinyl) 32x30, Velcro	1
7	5001540	Seat board (vinyl) 37x30, Velcro	1
7	5001541	Seat board (vinyl) 32x35, Velcro	1
7	5001542	Seat board (vinyl) 37x35, Velcro	1
7	5001543	Seat board (vinyl) 32x40, Velcro	1
7	5001544	Seat board (vinyl) 37x40, Velcro	1
7	5000902(C)	Seat board (vinyl) 42x48, Velcro	1
7	5001424(C)	Seat board (vinyl) 44x48, Velcro	1
7	5000903(C)	Seat board (vinyl) 46x48, Velcro	1
7	5001425(C)	Seat board (vinyl) 48x48, Velcro	1
7	5000904(C)	Seat board (vinyl) 50x48, Velcro	1
7	5001426(C)	Seat board (vinyl) 52x48, Velcro	1
7	5000905(C)	Seat board (vinyl) 54x48, Velcro	1
7	5001492(C)	Seat board (vinyl) 60x48, Velcro	1
7	5001493(C)	Seat board (vinyl) 64x48, Velcro	1

Pos no	Item no	Description	Per chair
7	5000906(C)	Seat board (vinyl) 42x55, Velcro	1
7	5001428(C)	Seat board (vinyl) 44x55, Velcro	1
7	5000907(C)	Seat board (vinyl) 46x55, Velcro	1
7	5001429(C)	Seat board (vinyl) 48x55, Velcro	1
7	5000908(C)	Seat board (vinyl) 50x55, Velcro	1
7	5001430(C)	Seat board (vinyl) 52x55, Velcro	1
7	5000909(C)	Seat board (vinyl) 54x55, Velcro	1
7	5001494(C)	Seat board (vinyl) 60x55, Velcro	1
7	5001495(C)	Seat board (vinyl) 64x55, Velcro	1
8	5000910(C)	Seat board partially strapped (vinyl) 42x48, Velcro	1
8	5001432(C)	Seat board partially strapped (vinyl) 44x48, Velcro	1
8	5000911(C)	Seat board partially strapped (vinyl) 46x48, Velcro	1
8	5001433(C)	Seat board partially strapped (vinyl) 48x48, Velcro	1
8	5000912(C)	Seat board partially strapped (vinyl) 50x48, Velcro	1
8	5001434(C)	Seat board partially strapped (vinyl) 52x48, Velcro	1
8	5000913(C)	Seat board partially strapped (vinyl) 54x48, Velcro	1
8	5001496(C)	Seat board partially strapped (vinyl) 60x48, Velcro	1
8	5001497(C)	Seat board partially strapped (vinyl) 64x48, Velcro	1
8	5000914(C)	Seat board partially strapped (vinyl) 42x55, Velcro	1
8	5001436(C)	Seat board partially strapped (vinyl) 44x55, Velcro	1
8	5000915(C)	Seat board partially strapped (vinyl) 46x55, Velcro	1
8	5000916(C)	Seat board partially strapped (vinyl) 50x55, Velcro	1
8	5001437(C)	Seat board partially strapped (vinyl) 48x55, Velcro	1
8	5001438(C)	Seat board partially strapped (vinyl) 52x55, Velcro	1
8	5000917(C)	Seat board partially strapped (vinyl) 54x55, Velcro	1
8	5001498(C)	Seat board partially strapped (vinyl) 60x55, Velcro	1
8	5001499(C)	Seat board partially strapped (vinyl) 64x55, Velcro	1
-	5001065	Threshold, front, 5 cm (vinyl) 32	1
-	5001066	Threshold, front, 5 cm (vinyl) 37	1
-	5000384	Threshold, front, 5 cm (vinyl) 42	1
-	5000385	Threshold, front, 5 cm (vinyl) 44	1
-	5000386	Threshold, front, 5 cm (vinyl) 46	1
-	5000387	Threshold, front, 5 cm (vinyl) 48	1
-	5000388	Threshold, front, 5 cm (vinyl) 50	1
-	5000389	Threshold, front, 5 cm (vinyl) 52	1
-	5000390	Threshold, front, 5 cm (vinyl) 54	1
-	5000391	Threshold, front, 5 cm (vinyl) 60	1
-	5000392	Threshold, front, 5 cm (vinyl) 64	1
-	5000393	Upholstered threshold, rear, 5 cm (vinyl)	1
-	5000394	Polyacrylic threshold, rear, 5 cm, depth adjustable (vinyl)	1
		Parts till	
-	5000990	Metal seat plate mounting	1
-	5000946	Metal seat plate 36x42*	1
-	5001318	Widening plates for metal seat plate, SW ≥ 48 cm*	1

4.2. Backrest cushions



Pos no	Item no	Description	Per chair
1	5000395	Backrest cushion mounting	1
2	5000396	Flex backrest cushion mounting	1
3	5001831	Bio 45° backrest cushion mounting	1
	(B)	When backrest cushion needed for biomechanical backrest, order the item with B added to the article number	
4	5001067	Backrest contour (vinyl) 32x30	1
4	5001068	Backrest contour (vinyl) 37x30	1
4	5001069	Backrest contour (vinyl) 32x35	1
4	5001070	Backrest contour (vinyl) 37x35	1
4	5001071	Backrest contour (vinyl) 32x40	1
4	5001072	Backrest contour (vinyl) 37x40	1
4	5000397(B)	Backrest contour (vinyl) 42x50	1
4	5000398(B)	Backrest contour (vinyl) 44x50	1
4	5000399(B)	Backrest contour (vinyl) 46x50	1
4	5000400(B)	Backrest contour (vinyl) 48x50	1
4	5000401(B)	Backrest contour (vinyl) 50x50	1
4	5000402(B)	Backrest contour (vinyl) 52x50	1
4	5000403(B)	Backrest contour (vinyl) 54x50	1
4	5000404	Backrest contour (vinyl) 60x50	1
4	5000405	Backrest contour (vinyl) 64x50	1
4	5000406(B)	Backrest contour (vinyl) 42x57	1
4	5000407(B)	Backrest contour (vinyl) 44x57	1
4	5000408(B)	Backrest contour (vinyl) 46x57	1
4	5000409(B)	Backrest contour (vinyl) 48x57	1
4	5000410(B)	Backrest contour (vinyl) 50x57	1
4	5000411(B)	Backrest contour (vinyl) 52x57	1
4	5000412(B)	Backrest contour (vinyl) 54x57	1
4	5000413	Backrest contour (vinyl) 60x57	1
4	5000414	Backrest contour (vinyl) 64x57	1
4	5001073	Backrest contour (air) 32x30	1
4	5001074	Backrest contour (air) 37x30	1
4	5001075	Backrest contour (air) 32x35	1

Pos no	Item no	Description	Per chair
4	5001076	Backrest contour (air) 37x35	1
4	5001077	Backrest contour (air) 32x40	1
4	5001078	Backrest contour (air) 37x40	1
4	5000415(B)	Backrest contour (air) 42x50	1
4	5000416(B)	Backrest contour (air) 44x50	1
4	5000417(B)	Backrest contour (air) 46x50	1
4	5000418(B)	Backrest contour (air) 48x50	1
4	5000419(B)	Backrest contour (air) 50x50	1
4	5000420(B)	Backrest contour (air) 52x50	1
4	5000421(B)	Backrest contour (air) 54x50	1
4	5000422	Backrest contour (air) 60x50	1
4	5000423	Backrest contour (air) 64x50	1
4	5000424(B)	Backrest contour (air) 42x57	1
4	5000425(B)	Backrest contour (air) 44x57	1
4	5000426(B)	Backrest contour (air) 46x57	1
4	5000427(B)	Backrest contour (air) 48x57	1
4	5000428(B)	Backrest contour (air) 50x57	1
4	5000429(B)	Backrest contour (air) 52x57	1
4	5000430(B)	Backrest contour (air) 54x57	1
4	5000431	Backrest contour (air) 60x57	1
4	5000432	Backrest contour (air) 64x57	1
4	5001085	Backrest contour (stretchrubber) 32x30	1
4	5001086	Backrest contour (stretchrubber) 37x30	1
4	5001087	Backrest contour (stretchrubber) 32x35	1
4	5001088	Backrest contour (stretchrubber) 37x35	1
4	5001089	Backrest contour (stretchrubber) 32x40	1
4	5001090	Backrest contour (stretchrubber) 37x40	1
4	5000433(B)	Backrest contour (stretchrubber) 42x50	1
4	5000434(B)	Backrest contour (stretchrubber) 44x50	1
4	5000435(B)	Backrest contour (stretchrubber) 46x50	1
4	5000436(B)	Backrest contour (stretchrubber) 48x50	1
4	5000437(B)	Backrest contour (stretchrubber) 50x50	1
4	5000438(B)	Backrest contour (stretchrubber) 52x50	1
4	5000439(B)	Backrest contour (stretchrubber) 54x50	1
4	5000440	Backrest contour (stretchrubber) 60x50	1
4	5000441	Backrest contour (stretchrubber) 64x50	1
4	5000442(B)	Backrest contour (stretchrubber) 42x57	1
4	5000443(B)	Backrest contour (stretchrubber) 44x57	1
4	5000444(B)	Backrest contour (stretchrubber) 46x57	1
4	5000445(B)	Backrest contour (stretchrubber) 48x57	1
4	5000446(B)	Backrest contour (stretchrubber) 50x57	1
4	5000447(B)	Backrest contour (stretchrubber) 52x57	1
4	5000448(B)	Backrest contour (stretchrubber) 54x57	1
4	5000449	Backrest contour (stretchrubber) 60x57	1
4	5000450	Backrest contour (stretchrubber) 64x57	1
4	5001079	Backrest contour horizontal (air) 32x30	1
4	5001080	Backrest contour horizontal (air) 37x30	1
4	5001081	Backrest contour horizontal (air) 32x35	1
4	5001082	Backrest contour horizontal (air) 37x35	1
4	5001083	Backrest contour horizontal (air) 32x40	1
4	5001084	Backrest contour horizontal (air) 37x40	1
4	5001785(B)	Backrest contour horizontal (air) 42x50	1
4	5001786(B)	Backrest contour horizontal (air) 44x50	1
4	5001787(B)	Backrest contour horizontal (air) 46x50	1
4	5001788(B)	Backrest contour horizontal (air) 48x50	1
4	5001789(B)	Backrest contour horizontal (air) 50x50	1
4	5001790(B)	Backrest contour horizontal (air) 52x50	1
4	5001791(B)	Backrest contour horizontal (air) 54x50	1

Pos no	Item no	Description	Per chair
4	5001792	Backrest contour horizontal (air) 60x50	1
4	5001793	Backrest contour horizontal (air) 65x50	1
4	5001794(B)	Backrest contour horizontal (air) 42x57	1
4	5001795(B)	Backrest contour horizontal (air) 44x57	1
4	5001796(B)	Backrest contour horizontal (air) 46x57	1
4	5001797(B)	Backrest contour horizontal (air) 48x57	1
4	5001798(B)	Backrest contour horizontal (air) 50x57	1
4	5001799(B)	Backrest contour horizontal (air) 52x57	1
4	5001800(B)	Backrest contour horizontal (air) 54x57	1
4	5001801	Backrest contour horizontal (air) 60x57	1
4	5001802	Backrest contour horizontal (air) 65x57	1
4	5001091	Backrest deep contour (air) 32x30	1
4	5001092	Backrest deep contour (air) 37x30	1
4	5001093	Backrest deep contour (air) 32x35	1
4	5001094	Backrest deep contour (air) 37x35	1
4	5001095	Backrest deep contour (air) 32x40	1
4	5001096	Backrest deep contour (air) 37x40	1
4	5000451(B)	Backrest deep contour (air) 42x50	1
4	5000452(B)	Backrest deep contour (air) 44x50	1
4	5000453(B)	Backrest deep contour (air) 46x50	1
4	5000454(B)	Backrest deep contour (air) 48x50	1
4	5000455(B)	Backrest deep contour (air) 50x50	1
4	5000456(B)	Backrest deep contour (air) 52x50	1
4	5000457(B)	Backrest deep contour (air) 54x50	1
4	5000458	Backrest deep contour (air) 60x50	1
4	5000459	Backrest deep contour (air) 64x50	1
4	5000460(B)	Backrest deep contour (air) 42x57	1
4	5000461(B)	Backrest deep contour (air) 44x57	1
4	5000462(B)	Backrest deep contour (air) 46x57	1
4	5000463(B)	Backrest deep contour (air) 48x57	1
4	5000464(B)	Backrest deep contour (air) 50x57	1
4	5000465(B)	Backrest deep contour (air) 52x57	1
4	5000466(B)	Backrest deep contour (air) 54x57	1
4	5000467	Backrest deep contour (air) 60x57	1
4	5000468	Backrest deep contour (air) 64x57	1
4	5001097	Backrest deep contour (stretchrubber) 32x30	1
4	5001098	Backrest deep contour (stretchrubber) 37x30	1
4	5001099	Backrest deep contour (stretchrubber) 32x35	1
4	5001100	Backrest deep contour (stretchrubber) 37x35	1
4	5001101	Backrest deep contour (stretchrubber) 32x40	1
4	5001102	Backrest deep contour (stretchrubber) 37x40	1
4	5000469(B)	Backrest deep contour (stretchrubber) 42x50	1
4	5000470(B)	Backrest deep contour (stretchrubber) 44x50	1
4	5000471(B)	Backrest deep contour (stretchrubber) 46x50	1
4	5000472(B)	Backrest deep contour (stretchrubber) 48x50	1
4	5000473(B)	Backrest deep contour (stretchrubber) 50x50	1
4	5000474(B)	Backrest deep contour (stretchrubber) 52x50	1
4	5000475(B)	Backrest deep contour (stretchrubber) 54x50	1
4	5000476	Backrest deep contour (stretchrubber) 60x50	1
4	5000477	Backrest deep contour (stretchrubber) 64x50	1
4	5000478(B)	Backrest deep contour (stretchrubber) 42x57	1
4	5000479(B)	Backrest deep contour (stretchrubber) 44x57	1
4	5000480(B)	Backrest deep contour (stretchrubber) 46x57	1
4	5000481(B)	Backrest deep contour (stretchrubber) 48x57	1
4	5000482(B)	Backrest deep contour (stretchrubber) 50x57	1
4	5000483(B)	Backrest deep contour (stretchrubber) 52x57	1
4	5000484(B)	Backrest deep contour (stretchrubber) 54x57	1
4	5000485	Backrest deep contour (stretchrubber) 60x57	1

Pos no	Item no	Description	Per chair
4	5000486	Backrest deep contour (stretchrubber) 64x57	1
4	5001103	Backrest deep contour, vertical (air) 32x30	1
4	5001104	Backrest deep contour, vertical (air) 37x30	1
4	5001105	Backrest deep contour, vertical (air) 32x35	1
4	5001106	Backrest deep contour, vertical (air) 37x35	1
4	5001107	Backrest deep contour, vertical (air) 32x40	1
4	5001108	Backrest deep contour, vertical (air) 37x40	1
4	5000487(B)	Backrest deep contour, vertical (air) 42x50	1
4	5000488(B)	Backrest deep contour, vertical (air) 44x50	1
4	5000489(B)	Backrest deep contour, vertical (air) 46x50	1
4	5000490(B)	Backrest deep contour, vertical (air) 48x50	1
4	5000491(B)	Backrest deep contour, vertical (air) 50x50	1
4	5000492(B)	Backrest deep contour, vertical (air) 52x50	1
4	5000493(B)	Backrest deep contour, vertical (air) 54x50	1
4	5000494	Backrest deep contour, vertical (air) 60x50	1
4	5000495	Backrest deep contour, vertical (air) 64x50	1
4	5000496(B)	Backrest deep contour, vertical (air) 42x57	1
4	5000497(B)	Backrest deep contour, vertical (air) 44x57	1
4	5000498(B)	Backrest deep contour, vertical (air) 46x57	1
4	5000499(B)	Backrest deep contour, vertical (air) 48x57	1
4	5000500(B)	Backrest deep contour, vertical (air) 50x57	1
4	5000501(B)	Backrest deep contour, vertical (air) 52x57	1
4	5000502(B)	Backrest deep contour, vertical (air) 54x57	1
4	5000503	Backrest deep contour, vertical (air) 60x57	1
4	5000504	Backrest deep contour, vertical (air) 64x57	1
4	5001109	Backrest deep contour, vertical (stretchrubber) 32x30	1
4	5001110	Backrest deep contour, vertical (stretchrubber) 37x30	1
4	5001111	Backrest deep contour, vertical (stretchrubber) 32x35	1
4	5001112	Backrest deep contour, vertical (stretchrubber) 37x35	1
4	5001113	Backrest deep contour, vertical (stretchrubber) 32x40	1
4	5001114	Backrest deep contour, vertical (stretchrubber) 37x40	1
4	5000505(B)	Backrest deep contour, vertical (stretchrubber) 42x50	1
4	5000506(B)	Backrest deep contour, vertical (stretchrubber) 44x50	1
4	5000507(B)	Backrest deep contour, vertical (stretchrubber) 46x50	1
4	5000508(B)	Backrest deep contour, vertical (stretchrubber) 48x50	1
4	5000509(B)	Backrest deep contour, vertical (stretchrubber) 50x50	1
4	5000510(B)	Backrest deep contour, vertical (stretchrubber) 52x50	1
4	5000511(B)	Backrest deep contour, vertical (stretchrubber) 54x50	1
4	5000512	Backrest deep contour, vertical (stretchrubber) 60x50	1
4	5000513	Backrest deep contour, vertical (stretchrubber) 64x50	1
4	5000514(B)	Backrest deep contour, vertical (stretchrubber) 42x57	1
4	5000515(B)	Backrest deep contour, vertical (stretchrubber) 44x57	1
4	5000516(B)	Backrest deep contour, vertical (stretchrubber) 46x57	1
4	5000517(B)	Backrest deep contour, vertical (stretchrubber) 48x57	1
4	5000518(B)	Backrest deep contour, vertical (stretchrubber) 50x57	1
4	5000519(B)	Backrest deep contour, vertical (stretchrubber) 52x57	1
4	5000520(B)	Backrest deep contour, vertical (stretchrubber) 54x57	1
4	5000521	Backrest deep contour, vertical (stretchrubber) 60x57	1
4	5000522	Backrest deep contour, vertical (stretchrubber) 64x57	1
4	5001115	Backrest deep contour, horizontal (air) 32x30	1
4	5001116	Backrest deep contour, horizontal (air) 37x30	1
4	5001117	Backrest deep contour, horizontal (air) 32x35	1
4	5001118	Backrest deep contour, horizontal (air) 37x35	1
4	5001119	Backrest deep contour, horizontal (air) 32x40	1
4	5001120	Backrest deep contour, horizontal (air) 37x40	1
4	5000523(B)	Backrest deep contour, horizontal (air) 42x50	1
4	5000524(B)	Backrest deep contour, horizontal (air) 44x50	1
4	5000525(B)	Backrest deep contour, horizontal (air) 46x50	1

Upholstery

Pos no	Item no	Description	Per chair
4	5000526(B)	Backrest deep contour, horizontal (air) 48x50	1
4	5000527(B)	Backrest deep contour, horizontal (air) 50x50	1
4	5000528(B)	Backrest deep contour, horizontal (air) 52x50	1
4	5000529(B)	Backrest deep contour, horizontal (air) 54x50	1
4	5000530	Backrest deep contour, horizontal (air) 60x50	1
4	5000531	Backrest deep contour, horizontal (air) 64x50	1
4	5000532(B)	Backrest deep contour, horizontal (air) 42x57	1
4	5000533(B)	Backrest deep contour, horizontal (air) 44x57	1
4	5000534(B)	Backrest deep contour, horizontal (air) 46x57	1
4	5000535(B)	Backrest deep contour, horizontal (air) 48x57	1
4	5000536(B)	Backrest deep contour, horizontal (air) 50x57	1
4	5000537(B)	Backrest deep contour, horizontal (air) 52x57	1
4	5000538(B)	Backrest deep contour, horizontal (air) 54x57	1
4	5000539	Backrest deep contour, horizontal (air) 60x57	1
4	5000540	Backrest deep contour, horizontal (air) 64x57	1
4	5001121	Backrest deep contour, horizontal (stretchrubber) 32x30	1
4	5001122	Backrest deep contour, horizontal (stretchrubber) 37x30	1
4	5001123	Backrest deep contour, horizontal (stretchrubber) 32x35	1
4	5001124	Backrest deep contour, horizontal (stretchrubber) 37x35	1
4	5001125	Backrest deep contour, horizontal (stretchrubber) 32x40	1
4	5001126	Backrest deep contour, horizontal (stretchrubber) 37x40	1
4	5000541(B)	Backrest deep contour, horizontal (stretchrubber) 42x50	1
4	5000542(B)	Backrest deep contour, horizontal (stretchrubber) 44x50	1
4	5000543(B)	Backrest deep contour, horizontal (stretchrubber) 46x50	1
4	5000544(B)	Backrest deep contour, horizontal (stretchrubber) 48x50	1
4	5000545(B)	Backrest deep contour, horizontal (stretchrubber) 50x50	1
4	5000546(B)	Backrest deep contour, horizontal (stretchrubber) 52x50	1
4	5000547(B)	Backrest deep contour, horizontal (stretchrubber) 54x50	1
4	5000548	Backrest deep contour, horizontal (stretchrubber) 60x50	1
4	5000549	Backrest deep contour, horizontal (stretchrubber) 64x50	1
4	5000550(B)	Backrest deep contour, horizontal (stretchrubber) 42x57	1
4	5000551(B)	Backrest deep contour, horizontal (stretchrubber) 44x57	1
4	5000552(B)	Backrest deep contour, horizontal (stretchrubber) 46x57	1
4	5000553(B)	Backrest deep contour, horizontal (stretchrubber) 48x57	1
4	5000554(B)	Backrest deep contour, horizontal (stretchrubber) 50x57	1
4	5000555(B)	Backrest deep contour, horizontal (stretchrubber) 52x57	1
4	5000556(B)	Backrest deep contour, horizontal (stretchrubber) 54x57	1
4	5000557	Backrest deep contour, horizontal (stretchrubber) 60x57	1
4	5000558	Backrest deep contour, horizontal (stretchrubber) 64x57	1
4	5001127	Backrest deep contour Flex (air) 32x30	1
4	5001128	Backrest deep contour Flex (air) 37x30	1
4	5001129	Backrest deep contour Flex (air) 32x35	1
4	5001130	Backrest deep contour Flex (air) 37x35	1
4	5001131	Backrest deep contour Flex (air) 32x40	1
4	5001132	Backrest deep contour Flex (air) 37x40	1
4	5000739	Backrest deep contour Flex (air) 42x50	1
4	5000740	Backrest deep contour Flex (air) 44x50	1
4	5000741	Backrest deep contour Flex (air) 46x50	1
4	5000742	Backrest deep contour Flex (air) 48x50	1
4	5000743	Backrest deep contour Flex (air) 50x50	1
4	5000744	Backrest deep contour Flex (air) 52x50	1
4	5000745	Backrest deep contour Flex (air) 54x50	1
4	5000746	Backrest deep contour Flex (air) 60x50	1
4	5000747	Backrest deep contour Flex (air) 64x50	1
4	5000748	Backrest deep contour Flex (air) 42x57	1
4	5000749	Backrest deep contour Flex (air) 44x57	1
4	5000750	Backrest deep contour Flex (air) 46x57	1
4	5000751	Backrest deep contour Flex (air) 48x57	1

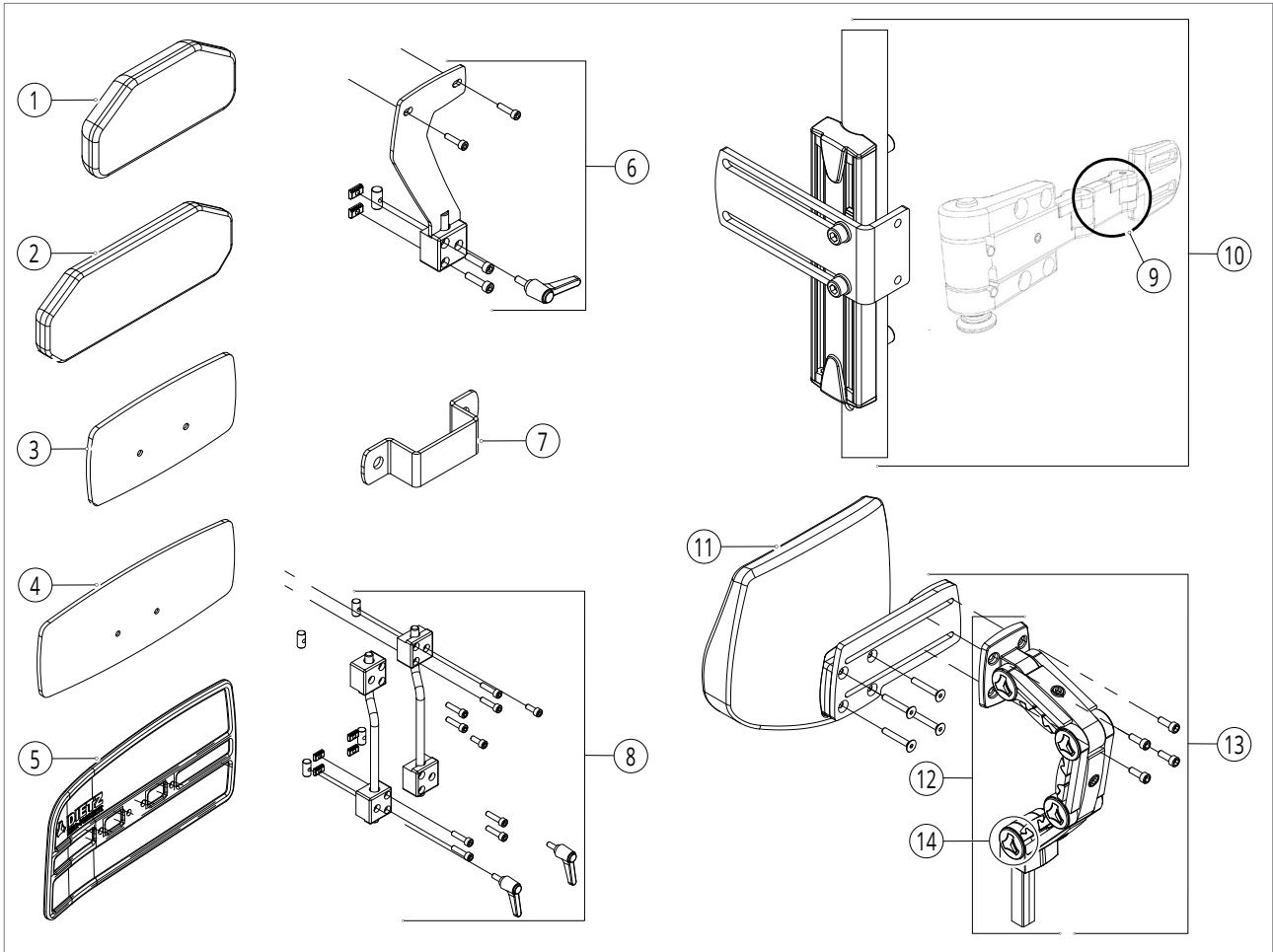
Pos no	Item no	Description	Per chair
4	5000752	Backrest deep contour Flex (air) 50x57	1
4	5000753	Backrest deep contour Flex (air) 52x57	1
4	5000754	Backrest deep contour Flex (air) 54x57	1
4	5000755	Backrest deep contour Flex (air) 60x57	1
4	5000756	Backrest deep contour Flex (air) 64x57	1
4	5001133	Backrest deep contour Flex (stretchrubber) 32x30	1
4	5001134	Backrest deep contour Flex (stretchrubber) 37x30	1
4	5001135	Backrest deep contour Flex (stretchrubber) 32x35	1
4	5001136	Backrest deep contour Flex (stretchrubber) 37x35	1
4	5001137	Backrest deep contour Flex (stretchrubber) 32x40	1
4	5001138	Backrest deep contour Flex (stretchrubber) 37x40	1
4	5000757	Backrest deep contour Flex (stretchrubber) 42x50	1
4	5000758	Backrest deep contour Flex (stretchrubber) 44x50	1
4	5000759	Backrest deep contour Flex (stretchrubber) 46x50	1
4	5000760	Backrest deep contour Flex (stretchrubber) 48x50	1
4	5000761	Backrest deep contour Flex (stretchrubber) 50x50	1
4	5000762	Backrest deep contour Flex (stretchrubber) 52x50	1
4	5000763	Backrest deep contour Flex (stretchrubber) 54x50	1
4	5000764	Backrest deep contour Flex (stretchrubber) 60x50	1
4	5000765	Backrest deep contour Flex (stretchrubber) 64x50	1
4	5000766	Backrest deep contour Flex (stretchrubber) 42x57	1
4	5000767	Backrest deep contour Flex (stretchrubber) 44x57	1
4	5000768	Backrest deep contour Flex (stretchrubber) 46x57	1
4	5000769	Backrest deep contour Flex (stretchrubber) 48x57	1
4	5000770	Backrest deep contour Flex (stretchrubber) 50x57	1
4	5000771	Backrest deep contour Flex (stretchrubber) 52x57	1
4	5000772	Backrest deep contour Flex (stretchrubber) 54x57	1
4	5000773	Backrest deep contour Flex (stretchrubber) 60x57	1
4	5000774	Backrest deep contour Flex (stretchrubber) 64x57	1
4	5001170	Backrest deep contour Flex, passive (air) 42x50	1
4	5001171	Backrest deep contour Flex, passive (air) 44x50	1
4	5001172	Backrest deep contour Flex, passive (air) 46x50	1
4	5001173	Backrest deep contour Flex, passive (air) 48x50	1
4	5001174	Backrest deep contour Flex, passive (air) 50x50	1
4	5001175	Backrest deep contour Flex, passive (air) 52x50	1
4	5001176	Backrest deep contour Flex, passive (air) 54x50	1
4	5001177	Backrest deep contour Flex, passive (air) 60x50	1
4	5001178	Backrest deep contour Flex, passive (air) 64x50	1
4	5001179	Backrest deep contour Flex, passive (air) 42x57	1
4	5001180	Backrest deep contour Flex, passive (air) 44x57	1
4	5001181	Backrest deep contour Flex, passive (air) 46x57	1
4	5001182	Backrest deep contour Flex, passive (air) 48x57	1
4	5001183	Backrest deep contour Flex, passive (air) 50x57	1
4	5001184	Backrest deep contour Flex, passive (air) 52x57	1
4	5001185	Backrest deep contour Flex, passive (air) 54x57	1
4	5001186	Backrest deep contour Flex, passive (air) 60x57	1
4	5001187	Backrest deep contour Flex, passive (air) 64x57	1
4	5000775(B)	Backrest extra deep contour (air) 42x50	1
4	5000776(B)	Backrest extra deep contour (air) 44x50	1
4	5000777(B)	Backrest extra deep contour (air) 46x50	1
4	5000778(B)	Backrest extra deep contour (air) 48x50	1
4	5000779(B)	Backrest extra deep contour (air) 50x50	1
4	5000780(B)	Backrest extra deep contour (air) 52x50	1
4	5000781(B)	Backrest extra deep contour (air) 54x50	1
4	5000782	Backrest extra deep contour (air) 60x50	1
4	5000783	Backrest extra deep contour (air) 64x50	1
4	5000784(B)	Backrest extra deep contour (air) 42x57	1
4	5000785(B)	Backrest extra deep contour (air) 44x57	1

Upholstery

Pos no	Item no	Description	Per chair
4	5000786(B)	Backrest extra deep contour (air) 46x57	1
4	5000787(B)	Backrest extra deep contour (air) 48x57	1
4	5000788(B)	Backrest extra deep contour (air) 50x57	1
4	5000789(B)	Backrest extra deep contour (air) 52x57	1
4	5000790(B)	Backrest extra deep contour (air) 54x57	1
4	5000791	Backrest extra deep contour (air) 60x57	1
4	5000792	Backrest extra deep contour (air) 64x57	1
4	5000793(B)	Backrest extra deep contour (stretchrubber) 42x50	1
4	5000794(B)	Backrest extra deep contour (stretchrubber) 44x50	1
4	5000795(B)	Backrest extra deep contour (stretchrubber) 46x50	1
4	5000796(B)	Backrest extra deep contour (stretchrubber) 48x50	1
4	5000797(B)	Backrest extra deep contour (stretchrubber) 50x50	1
4	5000798(B)	Backrest extra deep contour (stretchrubber) 52x50	1
4	5000799(B)	Backrest extra deep contour (stretchrubber) 54x50	1
4	5000800	Backrest extra deep contour (stretchrubber) 60x50	1
4	5000801	Backrest extra deep contour (stretchrubber) 64x50	1
4	5000802(B)	Backrest extra deep contour (stretchrubber) 42x57	1
4	5000803(B)	Backrest extra deep contour (stretchrubber) 44x57	1
4	5000804(B)	Backrest extra deep contour (stretchrubber) 46x57	1
4	5000805(B)	Backrest extra deep contour (stretchrubber) 48x57	1
4	5000806(B)	Backrest extra deep contour (stretchrubber) 50x57	1
4	5000807(B)	Backrest extra deep contour (stretchrubber) 52x57	1
4	5000808(B)	Backrest extra deep contour (stretchrubber) 54x57	1
4	5000809	Backrest extra deep contour (stretchrubber) 60x57	1
4	5000810	Backrest extra deep contour (stretchrubber) 64x57	1
4	5000811	Backrest extra deep contour Flex (air) 42x50	1
4	5000812	Backrest extra deep contour Flex (air) 44x50	1
4	5000813	Backrest extra deep contour Flex (air) 46x50	1
4	5000814	Backrest extra deep contour Flex (air) 48x50	1
4	5000815	Backrest extra deep contour Flex (air) 50x50	1
4	5000816	Backrest extra deep contour Flex (air) 52x50	1
4	5000817	Backrest extra deep contour Flex (air) 54x50	1
4	5000818	Backrest extra deep contour Flex (air) 60x50	1
4	5000819	Backrest extra deep contour Flex (air) 64x50	1
4	5000820	Backrest extra deep contour Flex (air) 42x57	1
4	5000821	Backrest extra deep contour Flex (air) 44x57	1
4	5000822	Backrest extra deep contour Flex (air) 46x57	1
4	5000823	Backrest extra deep contour Flex (air) 48x57	1
4	5000824	Backrest extra deep contour Flex (air) 50x57	1
4	5000825	Backrest extra deep contour Flex (air) 52x57	1
4	5000826	Backrest extra deep contour Flex (air) 54x57	1
4	5000827	Backrest extra deep contour Flex (air) 60x57	1
4	5000828	Backrest extra deep contour Flex (air) 64x57	1
4	5000829	Backrest extra deep contour Flex (stretchrubber) 42x50	1
4	5000830	Backrest extra deep contour Flex (stretchrubber) 44x50	1
4	5000831	Backrest extra deep contour Flex (stretchrubber) 46x50	1
4	5000832	Backrest extra deep contour Flex (stretchrubber) 48x50	1
4	5000833	Backrest extra deep contour Flex (stretchrubber) 50x50	1
4	5000834	Backrest extra deep contour Flex (stretchrubber) 52x50	1
4	5000835	Backrest extra deep contour Flex (stretchrubber) 54x50	1
4	5000836	Backrest extra deep contour Flex (stretchrubber) 60x50	1
4	5000837	Backrest extra deep contour Flex (stretchrubber) 64x50	1
4	5000838	Backrest extra deep contour Flex (stretchrubber) 42x57	1
4	5000839	Backrest extra deep contour Flex (stretchrubber) 44x57	1
4	5000840	Backrest extra deep contour Flex (stretchrubber) 46x57	1
4	5000841	Backrest extra deep contour Flex (stretchrubber) 48x57	1
4	5000842	Backrest extra deep contour Flex (stretchrubber) 50x57	1
4	5000843	Backrest extra deep contour Flex (stretchrubber) 52x57	1

Pos no	Item no	Description	Per chair
4	5000844	Backrest extra deep contour Flex (stretchrubber) 54x57	1
4	5000845	Backrest extra deep contour Flex (stretchrubber) 60x57	1
4	5000846	Backrest extra deep contour Flex (stretchrubber) 64x57	1
-	5001616	Seat – backrest connecting cloth	-

4.3. Posture support

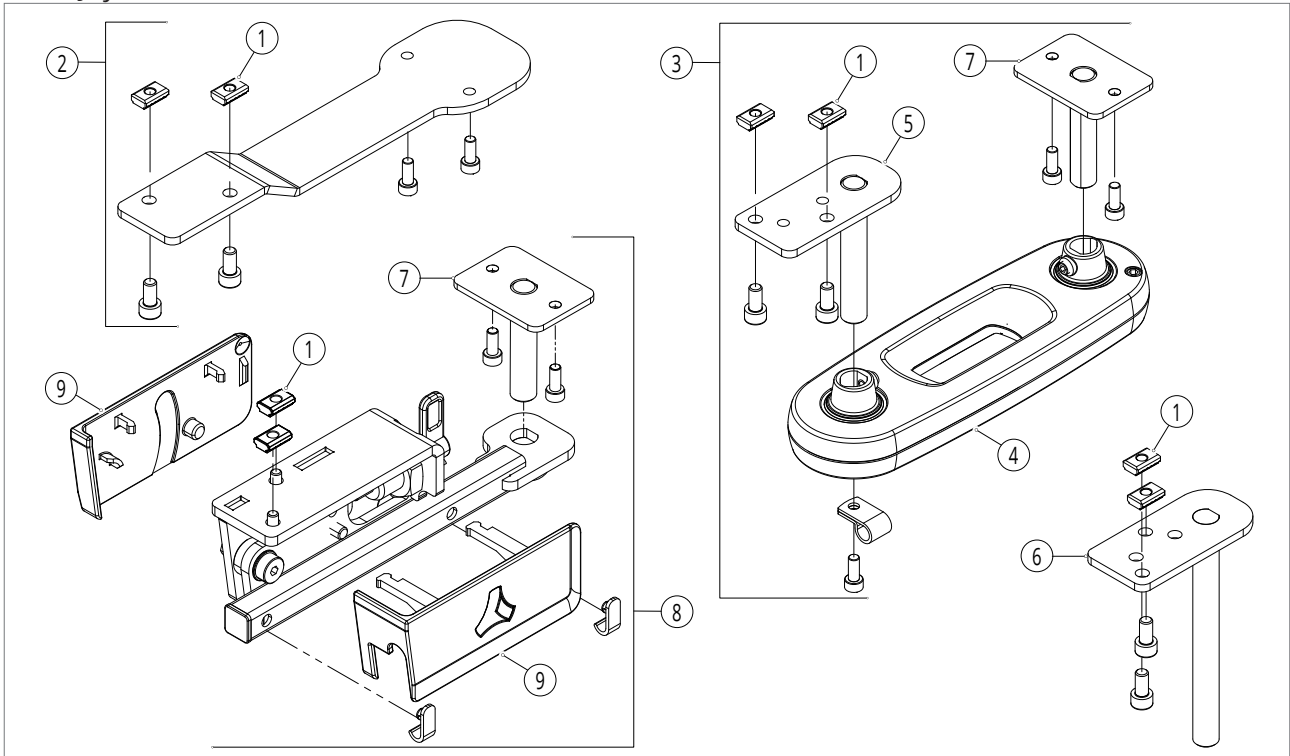


Pos no	Item no	Description	Per chair
1	5000670	Small thigh support cushion upholstered, set	1
2	5000671	Large thigh support cushion upholstered, set	1
3	5000668	Small thigh support shield for SEGO comfort, acrylic, set	1
4	5000669	Large thigh support shield for SEGO comfort, acrylic, set	1
5	5001198	Thigh shield, ABS black, set	1
6	5001900	Thigh support bracket for flip-up armrest, set S23	1
7	5001266	Thigh support bracket for SEGO comfort detachable armrest, set	1
7	5001267	Thigh support bracket for SEGO xxl, set	1
8	5001901	Thigh support bracket, multi adjustable, for flip-up armrest, set	1
9	5001353	Thoracic support link	1
10	5001439	SEGO junior thoracic support incl. mounting, right	1
10	5001440	SEGO junior thoracic support incl. mounting, left	1
10	5000987	SEGO comfort/xxl thoracic support incl. mounting, right	1
10	5000988	SEGO comfort/xxl thoracic support incl. mounting, left	1
11	5000673	Headrest PU	1
11	5001754	Headrest cushion padded butterfly shape small, junior	1
11	5001748	Headrest cushion padded butterfly shape small, finish air mesh, junior	1
11	5000674	Headrest cushion padded butterfly shape	1
11	5001749	Headrest cushion padded butterfly shape, finish air mesh	1
11	5000675	Headrest cushion padded flexible small	1
11	5001750	Headrest cushion padded flexible small, finish air mesh	1
11	5000676	Headrest cushion padded flexible large	1
11	5001751	Headrest cushion padded flexible large, finish air mesh	1

Pos no	Item no	Description	Per chair
12	5001842	Height and depth adjustable bracket with black colour accents	1
13	5001843	Height, depth and width adjustable bracket with black colour accents	1
14	5001850	Colour accents headrest, white, 8 pieces	1
14	5001851	Colour accents headrest, red, 8 pieces	1
14	5001852	Colour accents headrest, blue, 8 pieces	1
14	5001853	Colour accents headrest, gold, 8 pieces	1
14	5001854	Colour accents headrest, black, 8 pieces	1
		Parts till	
-	5000666	Thigh support bracket for flip-up armrest, set*	1
-	5000677	Height and depth adjustable bracket, till February 2023	1
-	5000678	Height, depth and width adjustable bracket, till February 2023	1
-	5000960	Third party headrest mounting, till February 2023	1

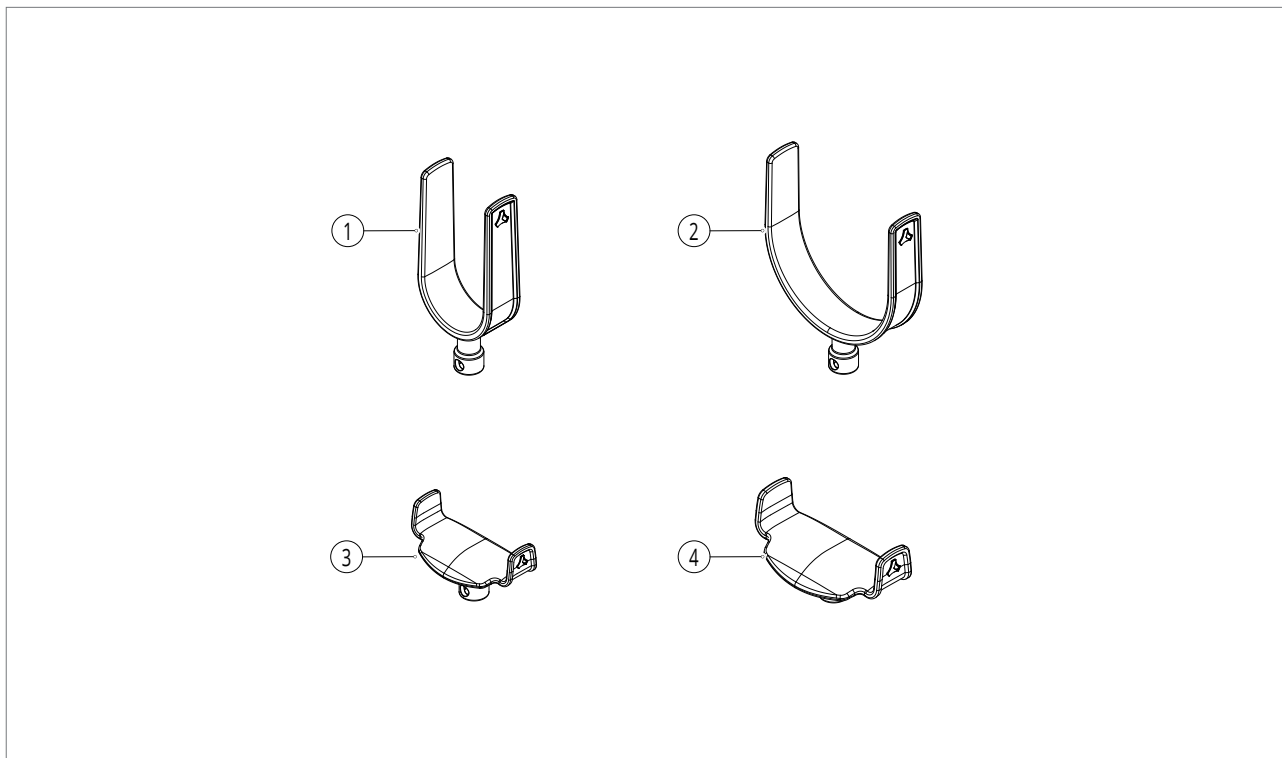
5. Controls

5.1. Joystick bracket



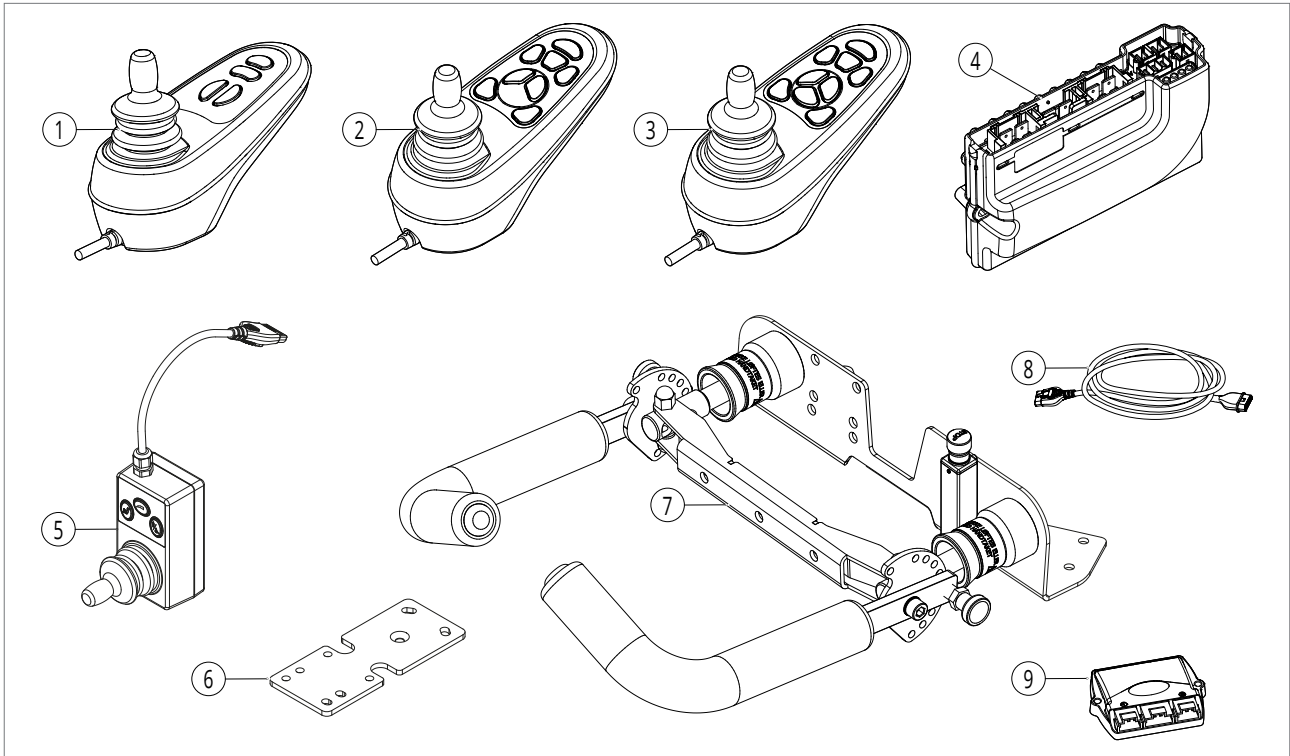
Pos no	Item no	Description	Per chair
1	5000002	Casted clamp strip small, 10 pieces	1
2	5000679	Fixed joystick bracket, incl. mounting (R=L)	1
3	5000680	Swing-away joystick bracket, incl. mounting (R=L)	1
4	5001602	Swing-away joystick mechanism (R=L)	1
5	5001304	Mounting plate armrest for swing-away bracket	1
6	5001914	Mounting plate armrest for swing-away bracket, long	1
7	5001305	Mounting plate joystick for swing-away bracket	1
8	5001877	Drop down joystick bracket (R=L)	1
9	5001878	Drop down joystick bracket covers, set	1

5.2. VR2 and R-net options



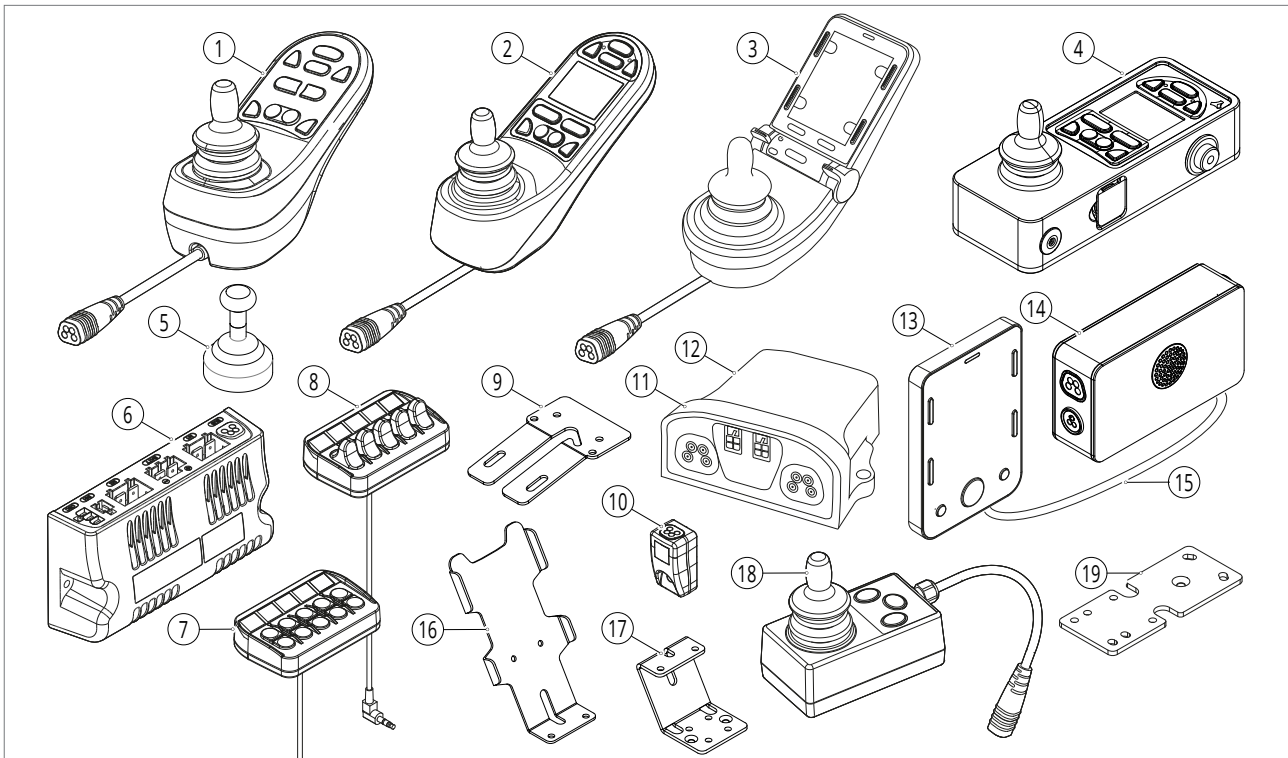
Pos no	Item no	Description	Per chair
-	5001364	Standard joystick knob	1
-	5000720	Mushroom joystick knob	1
-	5000721	Joystick knob ball mini Ø32 mm	1
-	5000722	Joystick knob ball Ø38 mm	1
-	5001317	Golf ball 43 mm	1
-	5001275	Joystick knob Ø45 mm	1
-	5000723	Joystick knob softball big Ø70 mm	1
-	5000724	Stick joystick knob	1
-	5000725	T-grip joystick knob	1
-	5000728	Chin joystick knob	1
-	5001803	Chin joystick knob attendant control	
1	5001502	U-Grip vertical small joystick knob	1
2	5001503	U-Grip vertical large joystick knob	1
3	5001504	U-Grip horizontal small joystick knob	1
4	5001505	U-Grip horizontal large joystick knob	1
-	5000705	Power cable	1
-	5001875	Fuse cable 460mm	1
-	5001915	Actuator cable 0,1 m	1
-	5000708	Actuator cable short 0,4 m	1
-	5000709	Actuator cable long 1 m	1
-	5000706	Legrest actuator cable for legrest till 14-2-2019	2
-	5001291	Light extension cable 0,35 m	1
-	5001321	Inhibit cable 0,1M	1
-	5000710	Inhibit cable short	1
-	5000711	Inhibit cable long	1

5.3. VR2 controller



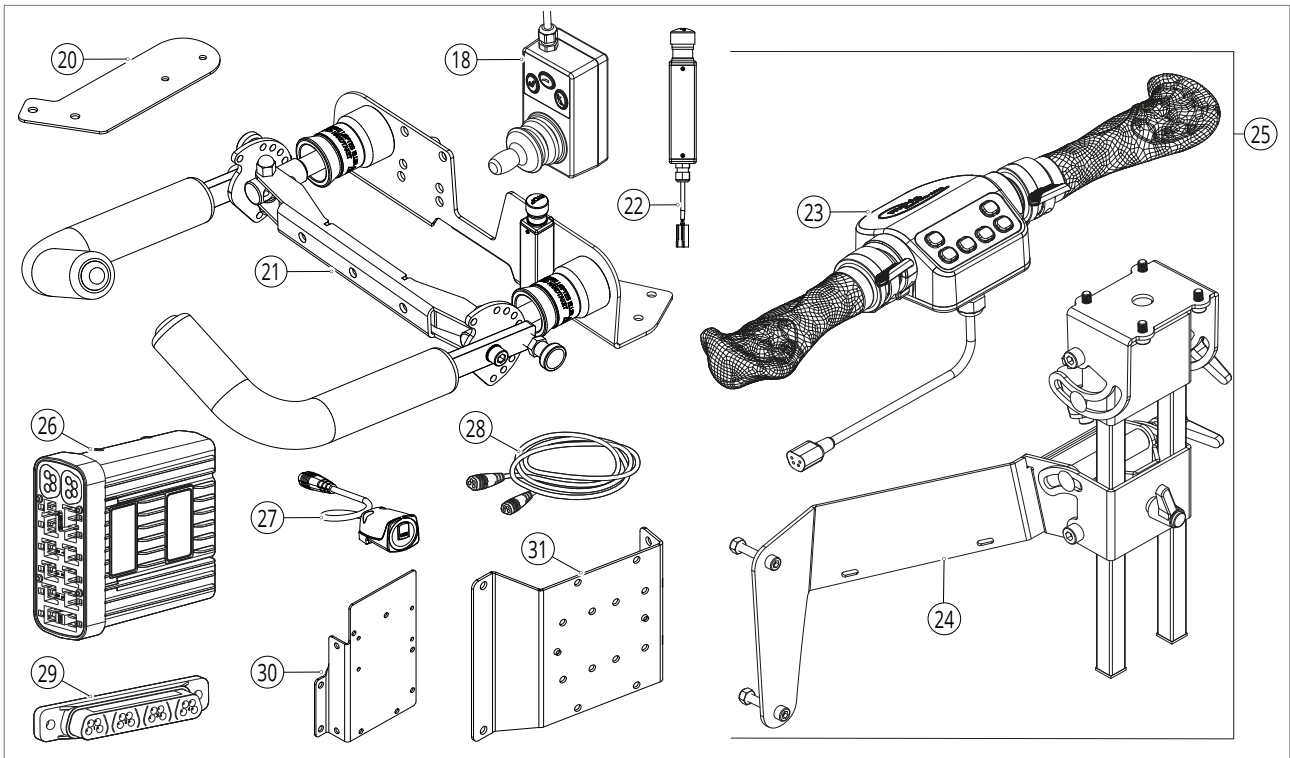
Pos no	Item no	Description	Per chair
1	5000022	VR2 Joystick module Drive Only	1
2	5000712	VR2 Joystick module Lights	1
3	5000713	VR2 Joystick module Actuators & Lights	1
4	5000023	VR2 70A Power module	1
4	5000714	VR2 70A Power module (2 actuators)	1
4	5000715	VR2 90A Power module (2 actuators)	1
5	5000716	VR2 attendant control module (R=L)	1
6	5000036	Attendant control mounting (R=L), comfort	1
6	5001453	Attendant control mounting (R=L) junior	1
7	5001772	VR2/R-net steer (2-hand)	1
5+7	5000983	VR2 steer (2-hand) incl. attendant control	1
8	5000717	VR2 extension cable 1M	1
8	5000718	VR2 extension cable 2M	1
9	5000024	VR2 Lighting Module, incl mounting	1
-	5000719	VR2 Lighting cable	2

5.4. R-net controller



Pos no	Item no	Description	Per chair
1	5000054	R-net joystick module LED	1
2	5000681	R-net joystick module LCD-1	1
3	5000003	R-net joystick module LCD-2 Infra-red	1
3	5000005	R-net joystick module LCD-2 Infra-red and bluetooth	1
4	5001354	Tray control, turnable (R=L)	1
-	5000682	R-net tray control, left, till September '20	1
-	5001281	R-net tray control, right, till September '20	1
5	5001319	Heavy Duty kit for R-net CJSM2 Joystick	1
6	5000055	R-net 90A Power module (1 actuator)	1
6	5000683	R-net 120A Power module	1
7	5000975	DAC box, direct actuator control CJSM1, button, jack plug, incl. mounting plate	1
7	5000684	DAC box, direct actuator control CJSM2, button, jack plug, incl. mounting plate	1
8	5001292	DAC box, direct actuator control CJSM1, toggle, jack plug, incl. mounting plate	1
8	5001293	DAC box, direct actuator control CJSM2, toggle, jack plug, incl. mounting plate	1
9	5001338	DAC box mounting plate on joystick side	1
10	5000685	Gyro module	1
11	5000687	R-net i-Device Bluetooth module	1
12	5001462	PG Tilt module	1
12	5001463	PG Tilt module, incl. mounting bracket	1
13	5001349	R-net Omni2 display	1
14	5001350	R-net Omni2 input section (D51710)	1
15	5001351	R-net Omni2 1.5m cable	1
13-15	5000993	OMNI 2 module	1
16	5000994	OMNI 2 mounting bracket joystick side. If new added option, also order 5000957	1
17	5001464	Mounting bracket for All-round joystick on Omni2 side	1
18	5000056	R-net attendant control module (R=L)	1
19	5001453	Attendant control mounting (R=L) junior	1

5.4 R-net controller - continuation



Pos no	Item no	Description	Per chair
19	5000036	Attendant control mounting (R=L), comfort	1
-	5001352	R-net joystick module as attendant control	1
20	5001296	R-net joystick module as attendant control with 2 hand steer, mounting (R=L)	1
21	5001772	VR2/R-net steer (2-hand)	1
18+21	5000984	R-net steer (2-hand) incl. attendant control	1
22	5001506	Emergency stop, incl. mounting	1
-	5001510	Wireless stop, incl. mounting	1
23	5001913	Scootcontrol R-net	1
23	5001361	Scootcontrol R-net, incl cables	1
24	5001271	Scootcontrol bracket R-net	1
25	5001270	Scootcontrol R-net, incl mounting	1
-	5001885	Scootcontrol lever, set	1
26	5000025	R-net ISM 6 Actuators & Lights	1
26	5000998	R-net IOM (Input-Output-Modul), 7 switch functions	1
27	5001893	Dual USB Charger with direct R-net plug-in	1
27	5001610	Dual USB Charger with direct R-net plug-in, incl mounting and cables	1
-	5001346	External charging socket	1
-	5001221	System locking plug	1
28	5000695	R-net bus cable 0,3M	1
28	5000696	R-net bus cable 0,5M	1
28	5000697	R-net bus cable 1,0M	1
28	5000698	R-net bus cable 1,2M	1
28	5000699	R-net bus cable 1,5M	1
28	5000700	R-net bus cable 2,0M	1
28	5000701	R-net bus cable 2,5M	1
28	5001369	CJSM2 Joystick cable 0,7M	1
28	5000702	R-net extension cable 1M	1
29	5000703	R-net 4-way connector block	1
-	5001280	R-net Y-splitter	1
30	5001559	Electrical components mounting plate backrest, junior	1
31	5000957	Electrical components mounting plate backrest, comfort/xxl	1

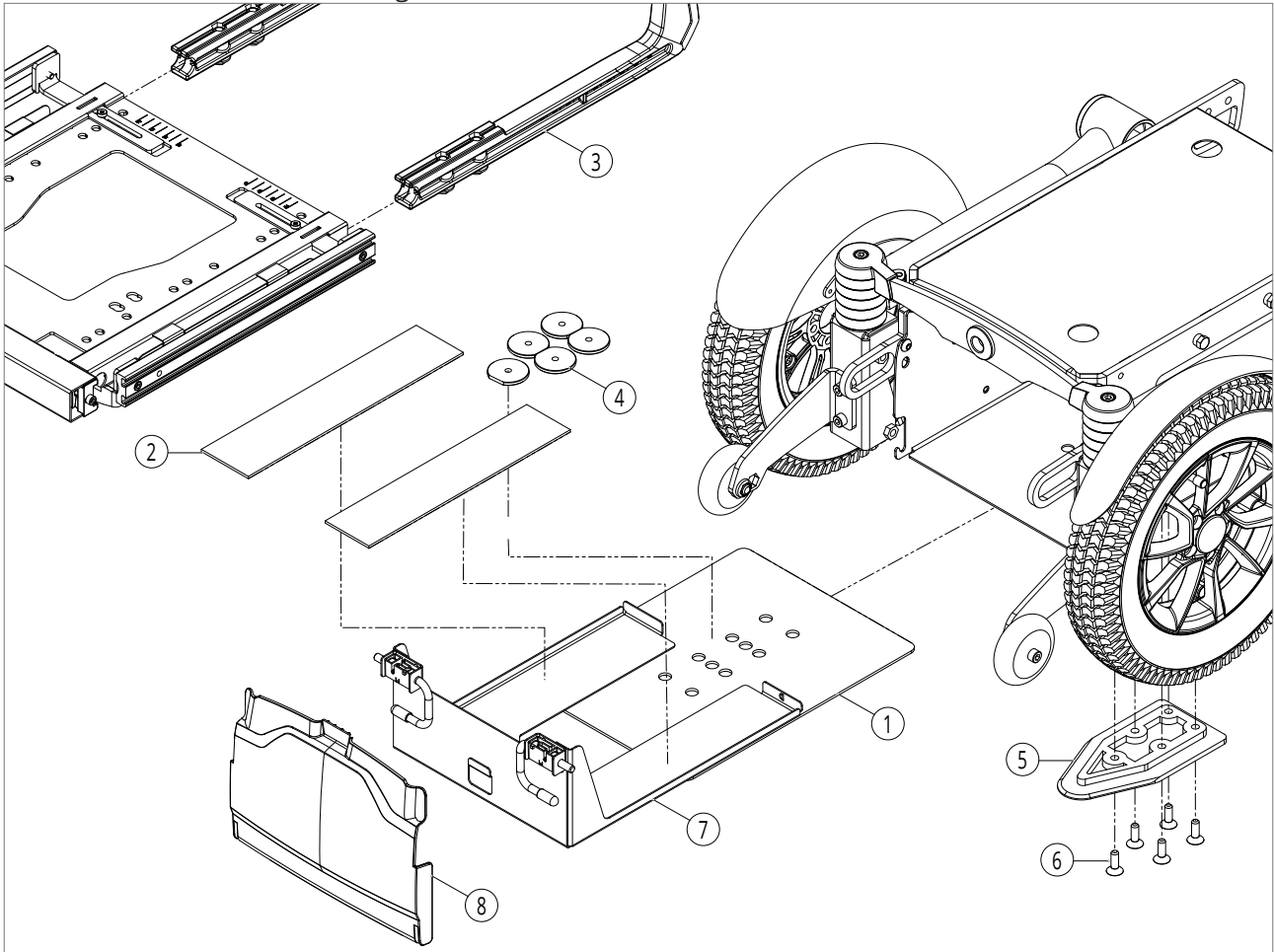
Pos no	Item no	Description	Per chair
-	5000704	R-net lighting cable	2
-	5001383	R-net lighting cable short	2

5.5. R-net special controls

Pos no	Item no	Description	Per chair
-	5000923	OMNI Micro joystick (8,5 gram)	1
-	5000924	OMNI Multi joystick (50 gram)	1
-	5000925	OMNI All-round Light joystick (120 gram)	1
-	5000926	OMNI All-round Light joystick , chin (incl. 2 satellite switches en foam ball) (120 gram)	1
-	5000927	OMNI All-round joystick (250 gram)	1
-	5000928	OMNI All-round joystick , chin (incl. 2 satellite switches en foam ball) (250 gram)	1
-	5000929	OMNI All-round heavy duty joystick (650 gram)	1
-	5000930	R-net Micro joystick (8,5 gram)	1
-	5000931	R-net Multi joystick (50 gram)	1
-	5000932	R-net All-round Light joystick (120 gram)	1
-	5000933	R-net All-round Light joystick, chin (incl. 2 satellite switches en foam ball) (120 gram)	1
-	5000934	R-net All-round joystick (250 gram)	1
-	5000935	R-net All-round joystick, chin (incl. 2 satellite switches and foam ball) (250 gram)	1
-	5000936	R-net All-round heavy duty joystick (650 gram)	1
-	5001632	Gyroset™ Vigo, wireless head control	1
-	5001889	Swing arms for chin control, manual horizontal	1
-	5001890	Swing arms for chin control, powered horizontal	1
-	5001891	Swing arms for chin control, powered vertical	1
-	5001164	Switch 17 mm, red	1
-	5001165	Switch 17 mm, green	1
-	5001621	Switch 17mm, yellow	1
-	5001622	Switch 17mm, blue	1
-	5001633	Switch 17mm, red on GooseNeck	1
-	5001634	Switch 17mm, green on GooseNeck	1
-	5001635	Switch 17mm, yellow on GooseNeck	1
-	5001636	Switch 17mm, blue on GooseNeck	1
-	5001166	Switch 30 mm, red	1
-	5001167	Switch 30 mm, green	1
-	5001623	Switch 30mm, yellow	1
-	5001624	Switch 30mm, blue	1
-	5001288	Switch 50 mm, red	1
-	5001289	Switch 50 mm, green	1
-	5001625	Switch 50mm, yellow	1
-	5001626	Switch 50mm, blue	1
-	5001627	Switch 63mm, red	1
-	5001628	Switch 63mm, green	1
-	5001629	Switch 63mm, yellow	1
-	5001630	Switch 63mm, blue	1
-	5001637	Micro Light button	1
-	5001606	Ram mount for R-net joystick module as attendant control with 2 hand steer (R=L)	1
-	5001639	Hand warmer	1
-	5001640	Hand warmer dome	1

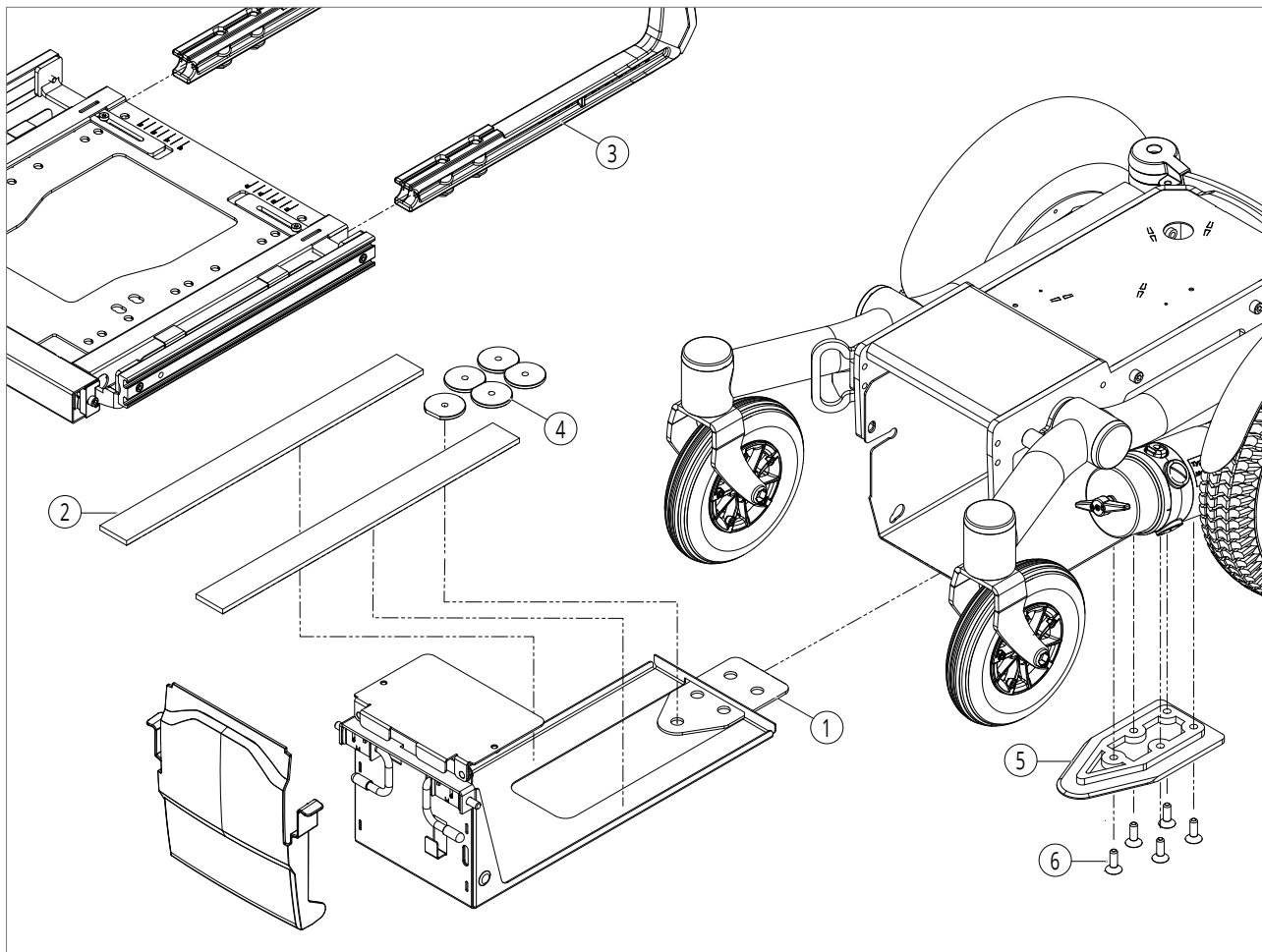
6. Accessories

6.1. Advanced Dahl car docking



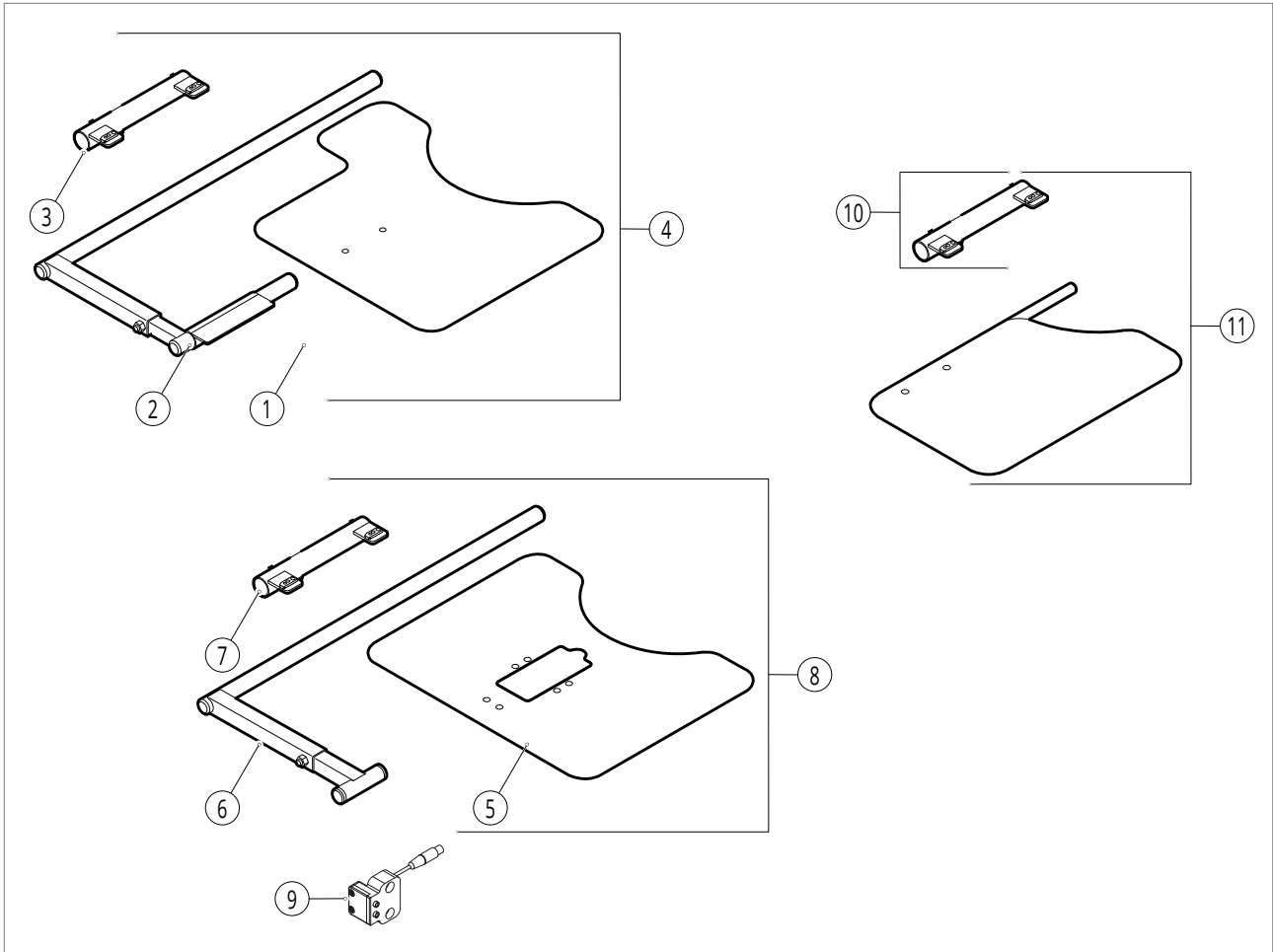
Pos no	Item no	Description	Per chair
1 - 3	5000062	SANGO advanced Dahl car docking preparation	1
1 - 6	5001168	SANGO advanced Dahl car docking preparation, including lock plate	1
5 + 6	5001855	Dahl lock plate incl. bolts	1
4 - 6	5001384	Dahl lock plate incl. nuts and bolts	1
		DAHL FOR WHEELCHAIRS TILL JULY '20, PLEASE CONTACT OUR CUSTOMER SERVICE DEPARTMENT	
-	5001273	Suspension for Dahl car docking preparation (advanced), set	1
7	5001902	Battery slide plate quick release for Dahl car docking (advanced) S23	1
-	5001371	Power module cover for Dahl car docking, black (advanced)	1
8	5001372	Battery cover black for Dahl car docking (advanced)	1
		Parts till	
-	5001370	Battery slide plate for Dahl car docking (advanced)	1

6.2. Slimline Dahl car docking



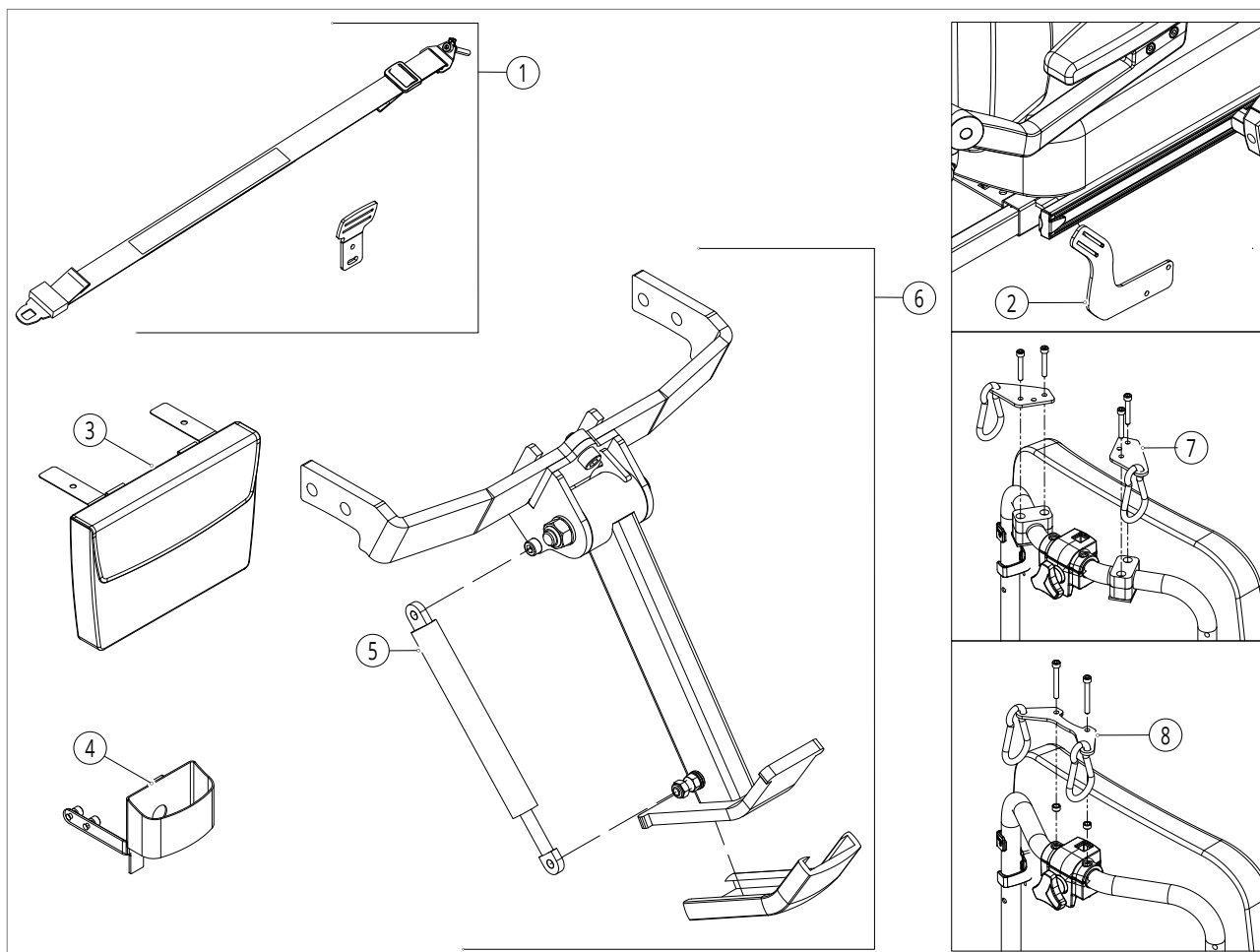
Pos no	Item no	Description	Per chair
1 - 3	5001160	SANGO slimline Dahl car docking preparation	1
1 - 6	5001169	SANGO slimline Dahl car docking preparation, including lock plate	1
5 + 6	5001855	Dahl lock plate incl. bolts	1
4 - 6	5001384	Dahl lock plate incl. nuts and bolts	1

6.3. Trays



Pos no	Item no	Description	Per chair
1	5001480	Tray 490 mm with joystick side recess (R=L)	1
1	5001481	Tray 600 mm with joystick side recess (R=L)	1
1	5001482	Tray 640 mm with joystick side recess (R=L)	1
1	5001483	Tray 680 mm with joystick side recess (R=L)	1
2	5001347	Tube for tray (D=22) with joystick side recess	1
3	5001459	Armrest tray receiver for joystick side recess (D=22)	1
4	5001341	Tray 490 mm with joystick side recess, incl. mounting, right	1
4	5001342	Tray 600 mm with joystick side recess, incl. mounting, right	1
4	5001343	Tray 640 mm with joystick side recess, incl. mounting, right	1
4	5001344	Tray 680 mm with joystick side recess, incl. mounting, right	1
4	5001484	Tray 490 mm with joystick side recess, incl. mounting, left	1
4	5001485	Tray 600 mm with joystick side recess, incl. mounting, left	1
4	5001486	Tray 640 mm with joystick side recess, incl. mounting, left	1
4	5001487	Tray 680 mm with joystick side recess, incl. mounting, left	1
5	5001355	Tray 640 mm for centre mount tray control (R=L)	1
5	5001356	Tray 540 mm for centre mount tray control (R=L)	1
6	5001491	Tube for tray (D=25) with centre mount	1
7	5001461	Armrest tray receiver for centre mount (D=25)	1
8	5001357	Tray 640 mm for centre mount tray control, incl. joystick and mounting (R=L)	1
8	5001358	Tray 540 mm for centre mount tray control, incl. joystick and mounting (R=L)	1
9	5001784	Jack interface for tray control	
10	5001348	Hemi tray tube and - receiver	1
11	5000730	Hemi tray, incl. mounting (R=L)	1
-	5001359	Tray raised edge R=L	1
-	5001360	Tray raised edge front	1

6.4. Accessories



Pos no	Item no	Description	Per chair
1	5001783	Lapbelt 1.10m, incl. mounting set	1
1	5000009	Lapbelt 1.90m, incl. mounting set	1
1	5000010	Lapbelt 2.90m, incl. mounting set	1
2	5001295	Backwards extended and higher bracket for lapbelt standard	1
-	5001294	Lapbelt, automatic roll-up 1,35 m	1
3	5001522	Armrest bag (R=L)	1
-	5000737	Mirror incl. mounting	1
4	5000738	Cane/crutch holder MWD/RWD, right	1
4	5000981	Cane/crutch holder MWD/RWD, left	1
4	5000982	Cane/crutch holder FWD	1
4	5001556	Cane/crutch holder (R=L) (xxl)	1
5	5000735	Kerb climber gas spring (not for slimline)	1
6	5000734	Kerb climber RWD (not for slimline)	1
7	5001778	Bag/backpack bracket on backrest frame, 2 hooks	1
8	5001848	Bag/backpack bracket on headrest bracket, 2 hooks	1
-	5001620	Wheelchair cover	1
		Parts till	
-	5001220	Bag/backpack bracket, 2 hooks, till February 2023	1

7. Bodypoint

7.1. Bodypoint positioning options

Pos no	Item no	Description	Per chair
-	5001641	Evoflex 2-Point Belt S x 38cm Pads	1
-	5001642	Evoflex 2-Point Belt M x 46cm Pads	1
-	5001643	Evoflex 2-Point Belt L x 62cm Pads	1
-	5001644	2-Point Padded Belt, Push Button M x 36cm Pads	1
-	5001645	2-Point Padded Belt, Push Button M x 46cm Pads	1
-	5001646	2-Point Padded Belt, Push Button L x 62cm Pads	1
-	5001647	2-Point Padded Belt, Push Button L x 82cm Pads	1
-	5001648	2-Point Padded Belt, Rehab Latch M x 36cm Pads	1
-	5001649	2-Point Padded Belt, Rehab Latch M x 46cm Pads	1
-	5001650	2-Point Padded Belt, Rehab Latch L x 62cm Pads	1
-	5001651	4-Point Padded Belt, Push Button M x 36cm Pads	1
-	5001652	4-Point Padded Belt, Push Button M x 46cm Pads	1
-	5001653	4-Point Padded Belt, Push Button L x 62cm Pads	1
-	5001654	4-Point Padded Belt, Rehab Latch M x 36cm Pads	1
-	5001655	4-Point Padded Belt, Rehab Latch M x 46cm Pads	1
-	5001656	4-Point Padded Belt, Rehab Latch L x 62cm Pads	1
-	5001657	End-Fitting Flatmount 1,5" (B1), pair	1
-	5001658	End-Fitting Flatmount 2" (B1), pair	1
-	5001659	End-Fitting Flatmount 1" (B1), pair	1
-	5001660	End-Fitting Cinchmount 1,5" (B2), pair	1
-	5001661	End-Fitting Cinchmount 2" (B2), pair	1
-	5001662	End-Fitting Cinchmount 1" (B2), pair	1
-	5001663	Security Cover 1" Buckle	1
-	5001664	Security Cover Push Button 1-1/2"	1
-	5001665	Security Cover Push Button 2"	1
-	5001666	Ankle Hugger Extra Small	1
-	5001667	Ankle Hugger Small	1
-	5001668	Ankle Hugger Medium	1
-	5001669	Ankle Hugger Large	1
-	5001670	Pivotfit Dynamic Extra Small	1
-	5001671	Pivotfit Dynamic Small	1
-	5001672	Pivotfit Dynamic Medium	1
-	5001673	Pivotfit Dynamic Large	1
-	5001674	Harness Strap Guide 150mm (pair)	1
-	5001675	Harness Strap Guide 200mm (pair)	1

Version overview

From version 1 to 2 (2019-08)

Section	Changes
In general	<ul style="list-style-type: none"> Added the Slimline and changes communicated in Product update (PU) 1
Advanced base frame	<ul style="list-style-type: none"> Changed description of 5000061, 5000063 and 5000064
Slimline base frame	<ul style="list-style-type: none"> Is new
Advanced FWD side frame	<ul style="list-style-type: none"> Deleted 5000657 and 5000568 Added 5001151 and 5000948 Added 5000949 (for France)
Advanced / Slimline RWD side frame	<ul style="list-style-type: none"> Deleted 5000657 and 5000568 Added 5001151 and 5000948 Added 5001142 Added 5000951 (for France) Added 5001143 and 5001144
Advanced MWD side frame	<ul style="list-style-type: none"> Deleted 5000657 and 5000568 Added 5000947
Slimline MWD side frame	<ul style="list-style-type: none"> Is new
Motors	<ul style="list-style-type: none"> Changed description of 5000131 and 5000132
Manual tilt	<ul style="list-style-type: none"> Added 5001158 and 5001159
Powered seat tilt and seat lift/tilt	<ul style="list-style-type: none"> Deleted 5000574 - 5000579 Deleted 5000584 - 5000586 Added 5000985 and 5000986
Seat frame and lighting	<ul style="list-style-type: none"> Changed description 5000593 - 5000597 and 5000035 Changed description 5000600 and 5000601
Backrest frame and armrests	<ul style="list-style-type: none"> Added 5001162 and 5001163 Added 5001200 Added 5000952, 5000953 and 5000989 Added 5001154, 5001155, 5001196 and 5001197
Standard / comfort legrest	<ul style="list-style-type: none"> Added 5001149 and 5001150
Centre mount legrest	<ul style="list-style-type: none"> Is new
Powered centre mount legrest	<ul style="list-style-type: none"> Is new
Legrest accessories	<ul style="list-style-type: none"> Deleted 5000654, 5000657 and 5000659
Seat cushions	<ul style="list-style-type: none"> Added 5000990 and 5000946
Backrest cushions	<ul style="list-style-type: none"> Added 5001170 - 5001187
Posture support	<ul style="list-style-type: none"> Changed description of 5000668 and 5000669 and added 5001198 Deleted 5000672 and 5000018 and added 5000987 and 5000988 Added 5000960
R-net controller	<ul style="list-style-type: none"> Changed description of 5000684 and added 5000975 Deleted 5000690 - 5000694 and added 5000993 - 5000997 Added 5000976 and 5000984 Added 5000998 Added 5000957 Added 5001164 - 5001167
Slimline Dahl car docking	<ul style="list-style-type: none"> Is new
Accessories	<ul style="list-style-type: none"> Changed description 5000735 and 5000734 Deleted 5000736 Added 5000981 and 5000982

From version 2 to 3 (2020-03)

Section	Changes
In general	<ul style="list-style-type: none"> Added the junior and xxl
Advanced base frame	<ul style="list-style-type: none"> Changed description of 5000063 and added 5001265
Slimline base frame	<ul style="list-style-type: none"> Changed description of 5001140, 5001141 and added 5001265
Xxl base frame	<ul style="list-style-type: none"> Is new
Xxl FWD side frame	<ul style="list-style-type: none"> Is new
Motors	<ul style="list-style-type: none"> Added 5000968, 5000969 and 5000133
Castor wheels and mudguards	<ul style="list-style-type: none"> Added 5001290
Drive wheels and mudguards	<ul style="list-style-type: none"> Changed description of 5000162 Added 5000178, 5000179, 5001215 - 5001219 and 5001229 - 5001231
Manual tilt	<ul style="list-style-type: none"> Added 50001232 and 5001233
Advanced / Slimline Powered seat tilt and seat lift/tilt	<ul style="list-style-type: none"> Changed description of 5000572 and 5000573 Changed description of 5000986 Added 5001234 and 5001235
Xxl powered seat tilt and catapult	<ul style="list-style-type: none"> Is new
Advanced / Slimline Seat frame and lighting	<ul style="list-style-type: none"> Changed description of 5000600 and 5000601 Added 5001202
Xxl Seat frame and lighting	<ul style="list-style-type: none"> Is new
Advanced / Slimline Backrest frame and armrests	<ul style="list-style-type: none"> Changed description of 5001200 and added 5001274 Added 5000851, 5000002, 5001202, 5001246, 5001247, 5001250, 5001251 and 5001264
Xxl Backrest frame and armrests	<ul style="list-style-type: none"> Is new
Mechanical centre mount legrest	<ul style="list-style-type: none"> Changed description of 5000647, 5000648, 5000971, 5000954, 5000955 and added 5000956
Powered centre mount legrest	<ul style="list-style-type: none"> Changed description 5001188, 5001189, 5000973, 5000974, 5000961 - 5000964 and 5001278 Added 5001194 - 5001195, 5001276, 5001278 - 5001279, 5001282 - 5001287, 5001297 and 5001306 Deleted 5001277 and 5001279
Legrest accessories	<ul style="list-style-type: none"> Added 5000037 and 5001307
Seat cushions	<ul style="list-style-type: none"> Added 5000999 - 5001010, 50001023 - 1058, 5001065 - 5001066 and 5001298 - 5001303 Deleted 5001011 - 50001016
Backrest cushions	<ul style="list-style-type: none"> Added 5001067 - 5001078, 5001091 - 5001138 and 5001170 - 5001187
Posture support	<ul style="list-style-type: none"> Changed description of 5000666 - 5000669, 5000987 and 5000988 Added 5001266 - 5001269
Joystick bracket	<ul style="list-style-type: none"> Added 5001304 and 5001305
VR2 controller	<ul style="list-style-type: none"> Changed description of 5000708 and 5000709 Added 5000983, 5001291 and 5001275
R-net controller	<ul style="list-style-type: none"> Changed description of 5000682 and added 5001281 Changed description of 5000708 and 5000709 Added 5001270, 5001271, 5001280, 5001221, 5001291, 5001275, 5001288, 5001289, 5001292, 5001293 and 5001296 Deleted 5000686 and 5000688
R-net special controls	<ul style="list-style-type: none"> Is new
Advanced Dahl car docking station	<ul style="list-style-type: none"> Added 5001273
Accessories	<ul style="list-style-type: none"> Added 5001220, 5001294 and 5001295 Deleted 5001272

From Version 3 to 4 (2020-12)

Section	Changes
Front cover	<ul style="list-style-type: none"> Added SANGO slimline F and SANGO slimline SEGO junior F
Advanced base frame	<ul style="list-style-type: none"> Changed description of 5000071 Added 5001336 and 5001337
Slimline base frame	<ul style="list-style-type: none"> Added 5001336 and 5001337
Xxl base frame	<ul style="list-style-type: none"> Added 5001336 and 5001337
Advanced FWD side frame	<ul style="list-style-type: none"> Added 5001203, 5001204, 5001441 and 5001442 Added 5001205, 5001206, 5001443 and 5001444 Changed description 5000091 and 5000092
Advanced / slimline RWD side frame	<ul style="list-style-type: none"> Changed header into Advanced RWD / slimline RWD/FWD side frame Changed 5000187 into 5000185 Changed description 5000093-5000098 Added 5001207, 5001208, 5001445 and 5001446 Added 5001209, 5001210, 5001447 and 5001448 Added 5000081-5000086, 50001205,50001206, 5001443 and 5001444 Changed description 5001142 Added 5001397 and 5001398
Advanced MWD side frame	<ul style="list-style-type: none"> Added 5001500 and 5001501 Added 5000073 and 5000184 Added 5001211 and 5001449 Added 5001212, 5001213, 5001450 and 5001451
Slimline MWD side frame	<ul style="list-style-type: none"> Added 5001500 and 5001501 Added 5000073 and 5000184 Added 5001212, 5001213, 5001450 and 5001451
Motors	<ul style="list-style-type: none"> Added 5001340
Castor wheels and mudguards	<ul style="list-style-type: none"> Added 5001457 and 5001458 Added 5001365-5001367 Added 5001455 and 5001456
Drive wheels and mudguards	<ul style="list-style-type: none"> Added 5001368
Manual tilt	<ul style="list-style-type: none"> Changed description 5001232 Deleted 5001233
Advanced / slimline Powered seat tilt and seat lift/tilt	<ul style="list-style-type: none"> Added 5000574, 5001375, 5001374, 5001376, 5001377, 5001381, 5001380, 5000585, 5000586, 5000577, 5000578 and 5000579
Advanced / slimline seat frame and lighting	<ul style="list-style-type: none"> Added 5001507 and 5001508 Added 5001474 and 5001475 Added 5001476 and 5001477
Xxl seat frame and lighting	<ul style="list-style-type: none"> Added 5001507 and 5001508
Advanced / slimline backrest frame and flip-up armrests	<ul style="list-style-type: none"> Added 5001345 Added 5001214 and 5001452
Standard / comfort legrest	<ul style="list-style-type: none"> Deleted 5000628 and 5000629 Changed description 5001149 and 5001150 Added 5001466 and 5001467 Added 5001490 Added 5001488 and 5001489
Powered articulating legrest	<ul style="list-style-type: none"> Added 5001465, 5001468-5001469, 5001490, 5001470-1471
Mechanical centre mount legrest	<ul style="list-style-type: none"> Added 5001382
Powered centre mount legrest	<ul style="list-style-type: none"> Added 5001326-1328 Added 5001329, 5001330, 5001331, 5001332, 5001333 and 5001334 Added 5001478 and 5001479 Changed description 5001306 Added 5001335
Legrest accessories	<ul style="list-style-type: none"> Added 5001339

Seat cushions	<ul style="list-style-type: none"> • Added 5000878-5000901, 5001385-5001396, 5001400-5001402, 5001404-5001406, 5001408-5001410, 5001412-5001414, 5001416-5001418 and 5001420-5001422 (Velcro cushions) • Added 5001318 • Deleted 5000348-5000383 • Added 5000902-5000917, 5001424-5001426, 5001428-5001430, 5001432-5001434, 5001436-5001438 and 5001492-5001499 (Velcro boards)
Posture support	<ul style="list-style-type: none"> • Added 5001439 and 5001440 • Deleted 5001268 and 5001269 and changed description 5000987 and 500988 • Added 5001353
VR2 and R-net options	<ul style="list-style-type: none"> • Added separate chapter with the options available for VR2 and R-net • Added 5001321 • Added 5001364 and 5001317 • Deleted 5000726 and 5000727 • Added 5001502-5001505 • Added 5001346
VR2 controller	<ul style="list-style-type: none"> • Changed description of 5000036 • Added 5001453
R-net controller	<ul style="list-style-type: none"> • Added 5001354 • Changed description 5000682 and 5001281 • Added 5001319 • Added 5001338 • Added 5001462 and 5001463 • Added 5001349-5001351 • Changed 5000038 into 5000036 • Added 5001453 • Added 5001352 • Added 5001506 • Added 5001361, changed description 5001270 and added 5001362 and 5001363 • Added 5001369 • Added 5001383
R-net special controls	<ul style="list-style-type: none"> • Added 5001464
Advanced Dahl car docking	<ul style="list-style-type: none"> • Added 5001370-5001372 and 5001384
Slimline Dahl car docking	<ul style="list-style-type: none"> • Added 5001384
Trays	<ul style="list-style-type: none"> • Changed 5000017 into 5001480-5001483, 5001341-5001344, and 5001484-5001487 • Added 5001355-5001358 • Changed description 5000732 • Added 5001347, 5001491, 5001459, 5001461, 5001348, 5001359 and 5001360

From Version 4 to 5 (2022-05)

Section	Changes
Advanced base frame	<ul style="list-style-type: none"> Added 5001547
Slimline base frame	
Xxl base frame	<ul style="list-style-type: none"> Changed description 5000991
Anti-shimmy hub	<ul style="list-style-type: none"> Added
Advanced FWD side frame	<ul style="list-style-type: none"> Added 5001732 Changed description 5000566, 5000184, 5000185, 5000948, 5000087, 5000088, 5000569 and 5000949 Added 5001614, 5001682 and 5001683
Xxl FWD side frame	<ul style="list-style-type: none"> Changed description 5000185, 5000087, 5000088, 5000569 and 5000949 Added 5001614
Advanced RWD / slimline RWD+FWD side frame	<ul style="list-style-type: none"> Added 5001732 Changed description 5000566, 5000184, 5000185, 5000948 and 5000001 Added 5001526 Changed description 5000570, 5000951 Added 5001545, 5001546, 5001614, 5001682 and 5001683
Advanced MWD side frame	<ul style="list-style-type: none"> Added 5001732 Deleted 5000073 and 5000184 Changed description 5000566, 5000188, 5001501
Slimline MWD side frame	<ul style="list-style-type: none"> Added 5001732 Deleted 5000073 and 5000184 Changed description 5000566, 5000188 and 5001501
Motors	<ul style="list-style-type: none"> Added 5001685, 5001686 and 5001712 Moved to 'Parts till'; 5000132, 5000133 and 5000847
Castor wheels and mudguards	<ul style="list-style-type: none"> Added 5001687 - 5001701, 5001719 - 5001721, 5001684, 5001723 and 5001724 Moved to 'Parts till'; 5000141 - 5000144, 5001366 - 5001367, 5000152 - 5000157, 5001455, 5001456 Deleted 5001365, 5000029, 5000147 - 5000151
Drive wheels and mudguards	<ul style="list-style-type: none"> Deleted 5001215 and 5001216 Added 5001713 - 5001718, 5001722, 5001702 - 5001711, 5001725 - 5001727 and 5001747 Moved to 'Parts till'; 5001229, 5001368, 5000170 - 5000179, 5001230, 5001231, 5001218, 5001219, 5001600 (new) and 5001601 (new)
Manual tilt	
Advanced / slimline powered seat tilt and seat lift/tilt	<ul style="list-style-type: none"> Changed description 5001375 - 5001377 Deleted 5000986, 5000585 and 5000586 Added 5001676 - 5001681 and 5001525 Added remark: IF NO POWERED ADJUSTMENT ON WHEELCHAIR, ALSO ORDER CATAPULT MOUNTING PLATE LEFT (5001680 OR 5001681). (RIGHT MOUNTING PLATE DOESN'T CHANGE) Moved to 'Parts till'; 5000985
Advanced / slimline seat frame and lighting	<ul style="list-style-type: none"> Added 5001613
Xxl seat frame and lighting	
Advanced / slimline backrest frame and flip-up armrests	<ul style="list-style-type: none"> Deleted 5000851 Added 5001617 - 5001619, 5001557 and 5001558
Standard / comfort legrest	<ul style="list-style-type: none"> Added 5001509
Powered articulating legrest	<ul style="list-style-type: none"> Added 5001511 - 5001521 Deleted 5000645, 5001468 - 5001471, 5000639 - 5000644
Centre mount legrest	<ul style="list-style-type: none"> Deleted 5000647, 5001382, 5000648, 5000971 and 5001191 Combined mechanical and powered centre mount legrest Added 5001608, 5001609 and 5001339 Added remark; IF TRANSFER LEGREST OPTION ON WHEELCHAIR, ALSO ORDER ITEM NUMBER 5001329 Changed description 5001190, 5001192-5001194 and 5001278 Added 5001548 - 5001554 and 5001746 Moved to 'Parts till'; 5000954 - 5000956 and 5000649

Version overview

Legrest accessories	<ul style="list-style-type: none"> • Changed qty per chair 5000656 and 5000658 • Changed description 5000658 and 5001307 • Added 5001752 • Changed description 5001339 and moved to centre mount legrest table
Seat cushions	<ul style="list-style-type: none"> • Added remark; IF CATAPULT OPTION ON WHEELCHAIR, ALSO ORDER ITEM NUMBER CATAPULT VERSION FOR SEAT CUSHION/BOARD • Added 5001735 - 5001741, 5001527 - 5001544 • Deleted 5001053 - 5001058
Backrest cushions	<ul style="list-style-type: none"> • Added 5001616
Posture support	<ul style="list-style-type: none"> • Added 5001754, 5001748 - 5001751
Joystick bracket	<ul style="list-style-type: none"> • Added 5001602
VR2 and R-net options	<ul style="list-style-type: none"> • Deleted 5000689 • Moved 5001346 and 5001221 to R-net controller
VR2 controller	
R-net controller	<ul style="list-style-type: none"> • Added remark 5000994 • Deleted 5000995 • Added 5001510, 5001610 and 5001559 • Changed description 5000957 • Moved 5001164 - 5001167, 5001288 and 5001289 to R-net special controls
R-net special controls	<ul style="list-style-type: none"> • Deleted 5000930 - 5000936, 5000945 • Added 5001621 - 5001640, 5001523, 5001524, 5001606
Advanced Dahl car docking	
Slimline Dahl car docking	
Trays	<ul style="list-style-type: none"> • Changed description 5001480, 5001341, 5001484, 5001347, 5001491, 5001459 and 5001461
Accessories	<ul style="list-style-type: none"> • Added 5001522, 5001556 and 5001620
Bodypoint	<ul style="list-style-type: none"> • Is new

From Version 5 to 6 (2022-12)

Section	Changes
Advanced base frame	<ul style="list-style-type: none"> Changed description 5000027
Xxl base frame	<ul style="list-style-type: none"> Changed description 5001223 and 5000027 Deleted 5001224
Advanced FWD side frame	<ul style="list-style-type: none"> Deleted 5000088 Changed description 5000569 and 5000949
Xxl FWD side frame	<ul style="list-style-type: none"> Deleted 5000088 Changed description 5000569 and 5000949
Advanced RWD / slimline RWD+FWD side frame	<ul style="list-style-type: none"> Changed description 5000570, 5000951, 5001545 and 5001546
Advanced MWD side frame	<ul style="list-style-type: none"> Added 5001810 and 5001811 Changed description 5000109 - 5000111, 5001211 and 5001449
Slimline MWD side frame	<ul style="list-style-type: none"> Added 5001810, 5001811 and 5001813 - 5001817 Changed description 5001145 Added 5001812 and 5001806 Added remark; IF CONVERSION FROM 5 TO 6 WHEELS, ORDER ALSO EXTRA CASTOR WHEEL Added 5001818 - 5001822
Castor wheels and mudguards	<ul style="list-style-type: none"> Added 5001804 and 5001805 Deleted 5000153, 5000155 and 5001455
Drive wheels and mudguards	<ul style="list-style-type: none"> Deleted 5000170, 5000177 and 5000179
Advanced / slimline powered seat tilt and seat lift/tilt	<ul style="list-style-type: none"> Deleted 5000582 and 5000583 Added 5001781 and 5001782
Advanced / slimline backrest frame and flip-up armrests	<ul style="list-style-type: none"> Added 5001779 and 5001780 Changed description 5000953 Deleted 5001557
Advanced biomechanical backrest 45 degrees	<ul style="list-style-type: none"> Is new
Legrest accessories	<ul style="list-style-type: none"> Deleted 5001307
Seat cushions	<ul style="list-style-type: none"> Deleted 5001047 - 5001052, 5000198 - 5000203 and 5001527 - 5001538
Backrest cushions	<ul style="list-style-type: none"> Added 5001079 - 5001084 and 5001785 - 5001802
VR2 and R-net options	<ul style="list-style-type: none"> Added 5001803
VR2 controller	<ul style="list-style-type: none"> Added 5001772
R-net controller	<ul style="list-style-type: none"> Added 5001772 Deleted 5001523 and 5001524
Trays	<ul style="list-style-type: none"> Added 5001784
Accessories	<ul style="list-style-type: none"> Added 5001783 and 5001778

From Version 6 to 7 (2023-09)

Section	Changes
Advanced base frame	<ul style="list-style-type: none"> Replaced 5000061 by 5001865 Added 5001868 and 5001869 Changed description of 5000063 Replaced 5001336 by 5001870 Moved 5000061 to Parts till Deleted 5001336
Slimline base frame	<ul style="list-style-type: none"> Replaced 5001139 by 5001866 Added 5001869 Replaced 5001140 by 5001863 Replaced 5001161 by 5001871 Replaced 5001336 by 5001870 Moved 5001139, 5001140 and 5001161 to Parts till Deleted 5001336
Xxl base frame	<ul style="list-style-type: none"> Replaced 5001222 by 5001867 Added 5001869 Replaced 5000063 by 5001864 Replaced 5001336 by 5001870 Moved 5001222 and 5000063 (only for xxl) to Parts till Deleted 5001336
Advanced FWD side frame	<ul style="list-style-type: none"> Added 5001873, 5001876, 5001903, 5001837 Changed description 5001683, 5001614, 5001682
Xxl FWD side frame	<ul style="list-style-type: none"> Added 5001873, 5001876
Advanced RWD / slimline RWD+FWD side frame	<ul style="list-style-type: none"> Added 5001873, 5001876, 5001903, 5001837 Changed description 5001683, 5001614, 5001682
Advanced MWD side frame	<ul style="list-style-type: none"> Added 5001873, 5001876, 5001903, 5001836
Slimline MWD side frame	<ul style="list-style-type: none"> Added 5001873, 5001876, 5001903, 5001836
Motors	<ul style="list-style-type: none"> Added 5001838, 5001839, 5001840, 5001841
Castor wheels and mudguards	<ul style="list-style-type: none"> Changed description 5001804 Deleted 5000152 Added Conversion table castor wheel sizes
Drive wheels and mudguards	<ul style="list-style-type: none"> Added 5001833, 5001884, 5001894 Changed description 5000162, 5000180 Deleted 5000171, 5000174 - 5000176, 5001230, 5000178, 5001231, 5001218, 5001219, 5001600, 5001601 Added Conversion table drive wheel sizes
Advanced / slimline powered seat tilt and seat lift/tilt	<ul style="list-style-type: none"> Replaced 5001678 by 5001895 Replaced 5001679 by 5001896 Deleted 5001678, 5001679
Advanced / slimline seat frame and lighting	<ul style="list-style-type: none"> Replaced 5000587 by 5001879 Added 5001888, 5001880, 5001881, 5001874, 5001905 Replaced 5000590 by 5001898 (only for comfort) Replaced 5000597 by 5001899 Moved 500587, 5000597 to Parts till Deleted 5000002, 5001202 (both still used in other places)
Xxl seat frame and lighting	<ul style="list-style-type: none"> Added 5001874
Advanced / slimline backrest frame and flip-up armrests	<ul style="list-style-type: none"> Replaced 5000605 by 5001844 Added 5001849, 5001845, 5001834, 5001835, 5001886, 5001887, 5001611 Replaced 5000607 by 5001846 Moved 5000605, 5000607 to Parts till
Advanced biomechanical backrest 45 degrees	<ul style="list-style-type: none"> Replaced 5001823 by 5001911 Replaced 5001824 by 5001912 Deleted 5001823, 5001824
Xxl backrest frame and armrests	<ul style="list-style-type: none"> Replaced 5000605 by 5001844 Added 5001849, 5001845, 5001611 Moved 5000605 to Parts till

Seat cushions	<ul style="list-style-type: none"> • Added remark; When seat cushion needed for catapult, order the item with C added to the article number • Added (C) to all article numbers that are also available for catapult • Replaced 5000946 by 5001882 • Replaced 5001318 by 5001897 • Moved 5000990, 5000946, 5001318 to parts till • Deleted remark; IF CATAPULT OPTION ON WHEELCHAIR, ALSO ORDER ITEM NUMBER CATAPULT VERSION FOR SEAT CUSHION/BOARD • Deleted 5001734 - 5001743
Backrest cushions	<ul style="list-style-type: none"> • Added remark; When backrest cushion needed for biomechanical backrest, order the item with B added to the article number • Added (B) to all article numbers that are also available for biomechanical backrest
Posture support	<ul style="list-style-type: none"> • Replaced 5000666 by 5001900 • Replaced 5000667 by 5001901 • Replaced 5000677 by 5001842 • Replaced 5000678 by 5001843 • Added 5001850 - 5001854 • Moved 5000666, 5000677, 5000678, 5000960 to Parts till • Deleted 5000667, 5001728
Joystick bracket	<ul style="list-style-type: none"> • Added 5001914, 5001877, 5001878
VR2 and R-net options	<ul style="list-style-type: none"> • Replaced 5000707 by 5001875 • Added 5001915 • Deleted 5000707
R-net controller	<ul style="list-style-type: none"> • Added 5001913, 5001893 • Changed description 5001361, 5001610 • Replaced 5001362 and 5001363 by 5001885 • Deleted 5001362, 5001363
R-net special controls	<ul style="list-style-type: none"> • Added 5000930 - 5000936 • Replaced 5000939 and 5000940 by 5001889 • Replaced 5000941 and 5000942 by 5001890 • Replaced 5000943 and 5000944 by 5001891 • Deleted 5000939 - 5000944
Advanced Dahl car docking	<ul style="list-style-type: none"> • Added 5001855 • Replaced 5001370 by 5001902 • Moved 5001370 to Parts till
Slimline Dahl car docking	<ul style="list-style-type: none"> • Added 5001855
Trays	<ul style="list-style-type: none"> • Deleted 5000732
Accessories	<ul style="list-style-type: none"> • Replaced 5001220 by 5001848 • Moved 5001220 to Parts till

SANGO is a product manufactured by:

DIETZ Power B.V.
Haverdijk 11
5704 RC Helmond
The Netherlands
+31 492 792 196
info@DIETZ-Power.com
www.DIETZ-Power.com