

Montageanleitung Assembly Instructions

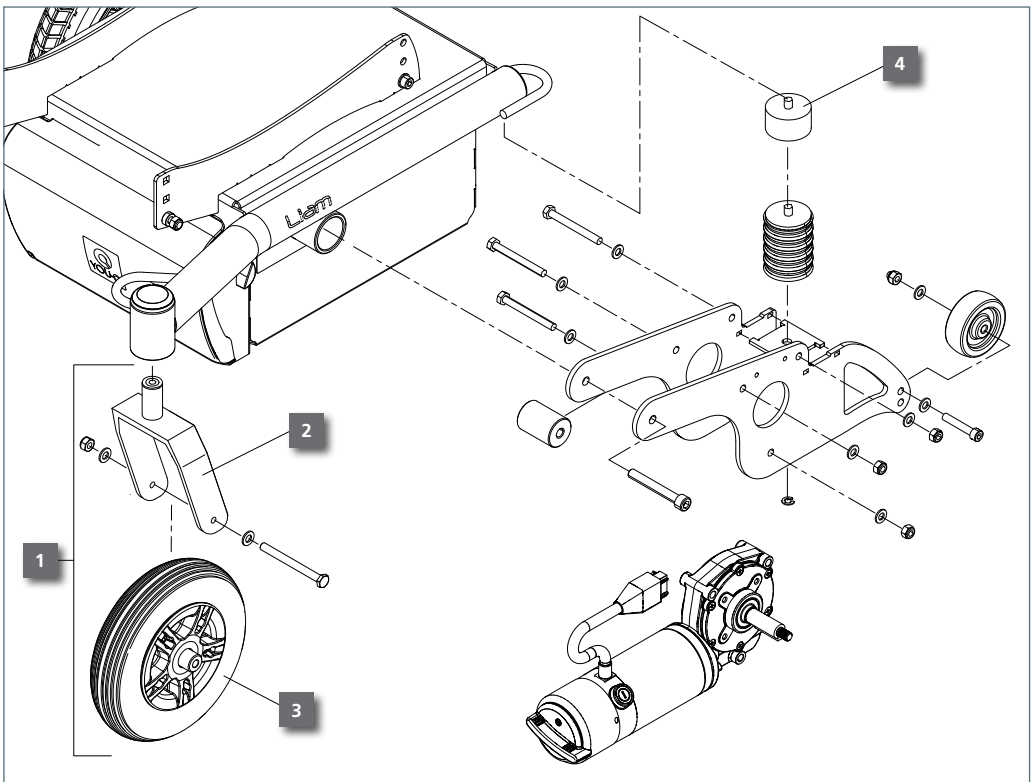
Liam 10 Zoll Lenkräder Liam 10 inch Castor Wheels

Teileliste erforderlicher Teile 10 Zoll Kit
ArtNr. 377117 Luftbereifung | 377118 Pannensichere Bereifung

- 1 Komplettes 10 Zoll Lenrad Set
- 2 10 Zoll Gabel
- 3 10 Zoll Lenrad mit Distanzhülsen, Schraubachse und Muttern
- 4 Distanzstück für Dämpfer mit Madenschraube

Required Parts 10" Kit
Part Number 377117 Air Tires | 377118 PU Tires

- 1 Complete 10" Castor Wheel Set
- 2 10" Fork
- 3 10" Wheel including Hub Spacers, Axle and Nuts
- 4 Damper Spacer including Grub Screw



Assembly instructions 10" Castor wheels on Liam Wheelchair

1. Replace the castor forks with the new ones according to paragraph 5.2.8 of the Liam Service Manual.

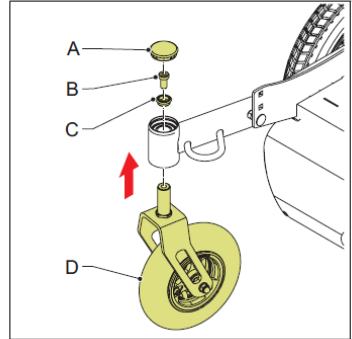
5.2.8. Replace a castor fork

Preparation

See section 5.1.

Procedure

1. Lift the wheelchair until the wheels are free from the floor.
 - Use a lifting platform.
2. Remove cap A.
3. Remove screw B and bearing holder C.
 - Use an allen key size 7.
 - The screw is secured.
4. Remove the old castor fork (D) from the carrier frame.
5. Install the new castor fork on the carrier frame.
Use some Loctite 648 to secure the screw B.



2. Loosen the rubber suspension part from the frame as described in line 3 of paragraph 5.2.2 of the Liam Service Manual. Do not loosen the locking ring as described in line 2! Assemble the Suspension Spacer with the threaded rod M10 onto the rubber part and tighten this by hand (approx. 7 Nm). Re-connect the spacer part/suspension rubber again with the frame.

5.2.2. Replace a rubber suspension

Procedure

1. Lift the wheelchair until the wheels are free from the floor.
 - Use a lifting platform.
2. Remove the locking ring (A) from the rubber suspension to lower the motor arm (B).
3. Remove the old rubber suspension (C) from the carrier frame.
 - The suspension is directly screwed on the carrier frame.
4. Put the new rubber suspension on the carrier frame.
5. Connect the motor arm to the rubber suspension and install the locking ring.

