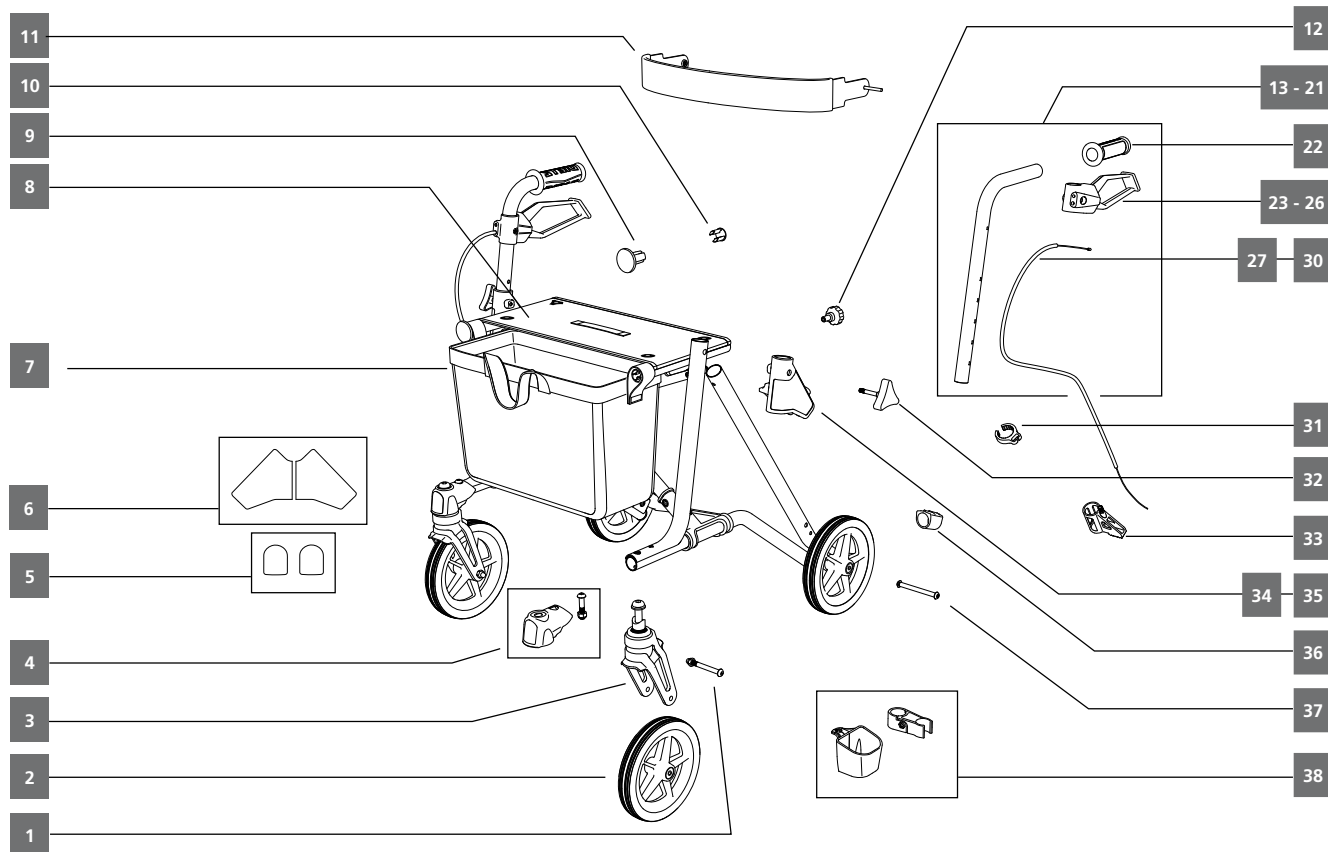


TAiMA **M** **GT**

TAiMA **S** **GT** TAiMA **M** **ECO**

**DIETZ** Rehab

Product type	Product name	Item number	Version
Lightweight rollator	TAiMA M-GT / S-GT / M-ECO	200160 / 200153 / 200061	V1.2.2 10/2023



Page 1 Position	Item no.	200160 M-GT	200153 S-GT	200061 M-ECO	Description	QTY. delivered
1	500218	•	•	•	Axle, front wheel with self-locking nut	set
2	290125	•			Wheel, front/back, 8", EVA, black, 5 spokes, from SN 372V008365	pc.
	290125		•		Wheel, front/back, 8", EVA, black, 5 spokes, from SN 373V002951	pc.
	290121	•			Wheel, front/back, 8", EVA, black, 5 spokes, up to SN 372V008364	pc.
	290121		•		Wheel, front/back, 8", EVA, black, 5 spokes, up to SN 373V002950	pc.
	500516			•	Wheel, front/back, 8", PU, black, 8 spokes	pc.
3	290089	•	•	•	Wheel fork set complete	set
4	290090	•	•	•	Cover cap suspension, left / right, inkl. reflector, screw and nut	set
5	290099	•	•		Reflectors, cover cap castor, 2 pc.	set
6	290097	•	•		Reflectors, frame connector	pair
7	290010	•		•	String shopping bag, standard, M	pc.
	290131		•		String shopping bag, standard, S	pc.
no pict.	290291	•		•	Bag rollator, M, nylon, black, with zipper	pc.
no pict.	290292		•		Bag rollator, S, nylon, black, with zipper	pc.
8	290020	•		•	Seat sling black, incl. rails	set
	290043		•		Seat sling black, incl. rails	set
9	290021	•	•	•	Cover cap, seat tube front, 2 pc.	Set
10	290022	•	•	•	Cover cap, seat tube back, 2 pc.	Set

TAiMA **M** **GT**TAiMA **S** **GT**TAiMA **M** **ECO** **DIETZ Rehab**

Product type	Product name	Item number	Version
Lightweight rollator	TAiMA M-GT / S-GT / M-ECO	200160 / 200153 / 200061	V1.2.2 10/2023

Page 2 Position	Item no.	200160 M-GT	200153 S-GT	200061 M-ECO	Description	QTY. delivered
11	290118	•	•	•	Backrest strap standard, incl. mounting material	set
no pict.	290126	•	•	•	Backrest strap comfort, incl. mounting material	set
12	290024	•	•	•	Release knob, incl. screw nut	set
13	290071	•		•	Push handle, left incl. grip, brake lever, brake cable	set
14	290134	•			Push handle, left incl. grip, brake lever, brake cable, from SN 372W004921	set
	290134			•	Push handle, left incl. grip, brake lever, brake cable, from SN 386W002461	set
15	290041		•		Push handle, left incl. grip, brake lever, brake cable	set
16	290132		•		Push handle, left incl. grip, brake lever, brake cable, from SN 373W000591	set
17	290072	•		•	Push handle, right incl. grip, brake lever, brake cable	set
18	290135	•			Push handle, right incl. grip, brake lever, brake cable, from SN 372W004921	set
	290135			•	Push handle, right incl. grip, brake lever, brake cable, from SN 386W002461	set
19	290070		•		Push handle, right incl. grip, brake lever, brake cable	set
20	290133		•		Push handle, right incl. grip, brake lever, brake cable, from SN 373W000591	set
21	290029	•		•	Push handles extended (99 - 114 cm), incl. grips, brake levers, brake cables	pair
22	290016	•	•	•	Grip, left / right	pc.
23	290017	•	•	•	Brake lever set, left, without brake cable	set
24	290128	•			Brake lever set, left, without brake cable, from SN 372W004921	set
	290128		•		Brake lever set, left, without brake cable, from SN 373W000591	set
	290128			•	Brake lever set, left, without brake cable, from SN 386W002461	set
25	290014	•	•	•	Brake lever set, right, without brake cable	set
26	290127	•	•	•	Brake lever set, right, without brake cable, from SN 372W004921	set
	290127		•		Brake lever set, right, without brake cable, from SN 373W000591	set
	290127			•	Brake lever set, right, without brake cable, from SN 386W002461	set
27	290015	•	•	•	Brake cable set, 2 pc.	set
28	290129	•			Brake cable set, 2 pc., from SN 372W004921	set
	290129		•		Brake cable set, 2 pc., from SN 373W000591	set
	290129			•	Brake cable set, 2 pc., from SN 386W002461	set
	290136	•		•	Brake cable set for extended push handles, 2 pc., for models from Q2 / 2020	set
29	290028	•	•	•	Single hand brake, left / right, conversion kit (brake cable)	set
30	290130	•	•	•	Single hand brake, left / right, conversion kit (brake cable), for models from Q2 / 2020	set
31	290032	•	•	•	Fixing clip for brake cable, plastic	pc.
32	290019	•	•	•	Locking screw, push handle, 2 pc.	set
33	290037	•	•	•	Brake pad set incl. bolt, screws, spring and adjusting screw	set
34	290095	•	•	•	Sideframe connector top, left, set incl. reflector, screw and nut	set
35	290096	•	•	•	Sideframe connector top, right, set incl. reflector, screw and nut	set
36	290042	•	•	•	Tipping cap, 2 pc.	set
37	290025	•	•	•	Axle back wheel, incl. nut	set
38	290094	•	•	•	Cane holder, upper and lower part	set
no pict.	290124	•	•	•	Connecting element cross strut, incl. rivets	set
no pict.	601227	•	•	•	Umbrella rollator, red, w/ mount	set
no pict.	601228	•	•	•	Umbrella rollator, grey, w/ mount	set
no pict.	297001	•	•	•	Covering hood, rollators, grey, w/ lead tape at the bottom	pc.
no pict.	280009	•	•	•	tray, acryl, transparent	pc.