

TOMTAR®

FAKTO+Arthritis

Arthritis rollator

User manual

Version 1.2.1 EN



Thank you for purchasing a
FAKTO+ Arthritis Rollator from DIETZ.

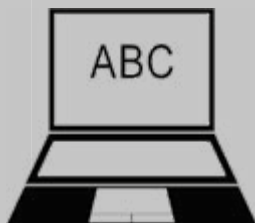
Please read this user manual carefully before first using the new FAKTO+ Arthritis. It contains important safety instructions and valuable tips on correctly using and caring for the FAKTO+ Arthritis rollator. If you have any questions or require additional information, please contact the specialist retailer which supplied the rollator to you.

These operating instructions contain all of the instructions necessary for adjusting and operating the FAKTO+ Arthritis rollator.



NOTE

For better visibility find our user manual also online under **www.dietz-reha.de** as PDF file with zoom function.



01 Important Information	
General information	4
intended use	4
Indication	4
Contraindication	4
Signs and symbols	5
02 Product description	
Scope of delivery	5
Set up Rollator	6
03 Build up the rollator	
Assembly	7
Unfolding the rollator	7
Fitting the armrests	7
Adjusting armrests & handles	8
Checking for correct assembly	8
04 Using the rollator	
Folding mechanism	9
Brake and parking brake	9
Readjusting the brakes	9
Readjusting the brakes at the cable	10
05 Accessories/Add ons	
Basket (fitted as standard)	10
Rack (fitted as standard)	10
Tray (fitted as standard)	11
Single hand brake (optional)	11
Add-ons & Accessories of Third-partys	11
06 Safety instructions	
Safety instructions	12
07 Instructions for general use	
Servicing / maintenance	14
Maintainance schedule	15
Fault-finding and rectification	17
Cleaning	18
Desinfection	18
Forwarding and reusing	19
Storage	19
Disposal	19
Product labelling	20
08 Vendor declarations	
Warranty	21
Lifetime	21
Liability	21
09 Technical data	
Dimensions and technical data	22
Product tests	23
Environmental conditions	23
Capture identification data	23

GENERAL INFORMATION

This user manual is intended provide all users and support staff with a basis for ensuring the safe use of the FAKTO+ Arthritis.

The manual contains information on the preparation, use, maintenance and servicing of your rollator. In order to make the most of the device in a sensible manner and to maintain handling reliability, you should always comply with the specified handling instructions. Make sure that the user manual can always be accessed by the user.

This user manual is included in the scope of delivery. We reserve the right to make changes to the versions shown in this manual as a result of technical further development. Reprints, translations and reproductions of this manual in any form, in whole or in part, require the written approval of DIETZ GmbH.

The copyright is owned by the manufacturer. This user manual is not subject to an updating service. You can find out the latest status by contacting DIETZ GmbH.

INTENDED USE

The FAKTO+ Arthritis is designed for persons with restricted mobility - especially rheumatism and arthritis patients - with a maximum body weight of 120 kg for use as a walking aid and, to a limited extent, as a seating device for temporary rest.

It is used both domestically as well as in hospitals and is designed exclusively for use on solid and level indoor surfaces.

The intended use may differ for products which were manufactured as custom-made device and which have been labelled as such. In this case, please refer to the documentation supplied with the product.

INDICATION

The use of the FAKTO+ Arthritis is indicated for:

- ▶ Restricted mobility due to a restriction of the active or passive musculoskeletal system
- ▶ Coordination problems when walking
- ▶ Reduced load-bearing capacity
- ▶ Rheumatism and Arthritis

CONTRAINDICATION

The use of FAKTO+ Arthritis is unsuitable in the case of

- ▶ Perception disorders
- ▶ Extreme imbalance
- ▶ with a body weight above 120 kg

The FAKTO+ Arthritis may not be used as a climbing aid, transport aid for heavy loads or for similar purposes.

For children FAKTO + Arthritis is not suitable.

SIGNS AND SYMBOLS

These symbols indicate passages of text that are helpful for using and operating the product in every day life.



WARNING

It is mandatory to observe and comply with warnings.

They inform you of circumstances that could result in injury and/or damage to the rollator or surroundings if the warnings are not observed.



NOTE

Tips and advice to simplify using the functions.

SCOPE OF DELIVERY

The scope of delivery of FAKTO+ Arthritis consist of:

- ▶ FAKTO+ Arthritis rollator
- ▶ Basket
- ▶ Tray
- ▶ User manual
- ▶ Rack

Optional Accessories:

- ▶ One-handed brake
Art. 290107 (left)
Art. 290108 (right)

On reception of your new rollator please check the delivery for completeness and damage. If damage is evident, please contact your seller immediately.



WARNING

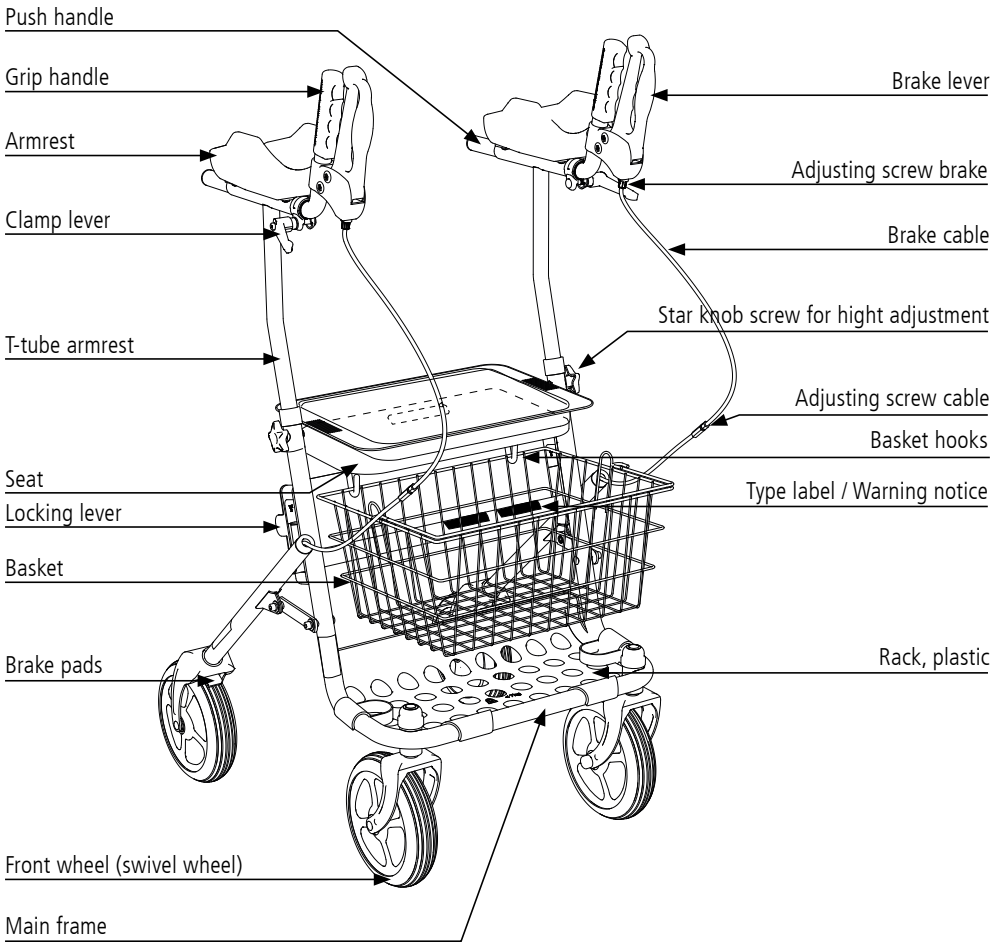
Suffocation hazard! Keep foil away from children, there is danger of suffocation! _____



WARNING

Risk of poisonous gases! Do not burn the foil! Toxic gases may develop when burning. ____

SET UP ROLLATOR FAKTO+ ARTHRITIS



NOTE

The image above is designed to help you clearly identify the individual components of your FAKTO+ Arthritis. Therefore, please always refer to it when reading the user manual.

ASSEMBLY

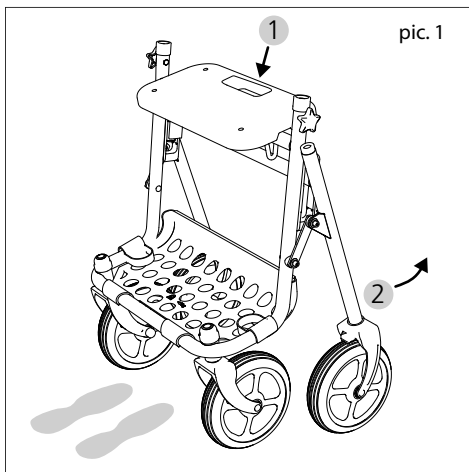
Place the individual parts of your rollator on the floor. The handlebars are already connected to the main frame by the brake cables. Place them to the right and left of the main frame.

Unfolding the rollator

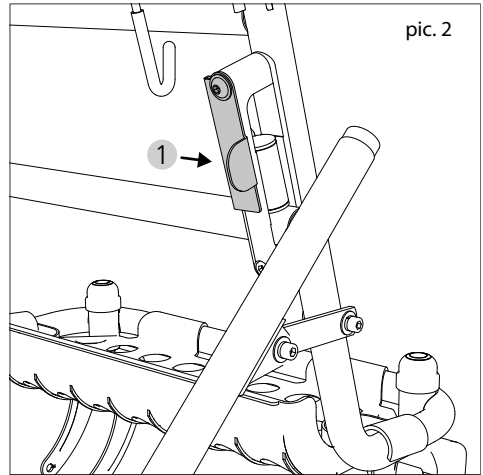
Hold the main frame by the seat's grip hole (1, pic. 1) and position it on the floor with the front wheels (swivel wheels). The grip hole must be on the side facing away from you.

Bend over the main frame and grip the part of the frame that faces away from you to unfold the frame (2, pic. 1).

Now you can place the rollator with all four wheels on the floor and fully unfold it by pressing on the seating surface.



To lock the folding mechanism, fold down the lever until it engages firmly in the guide (1, pic. 2).



NOTE

To use FAKTO+ Arthritis correctly, it must be adjusted to your individual size. You should have an employee of your medical supply store or another trained person do this.

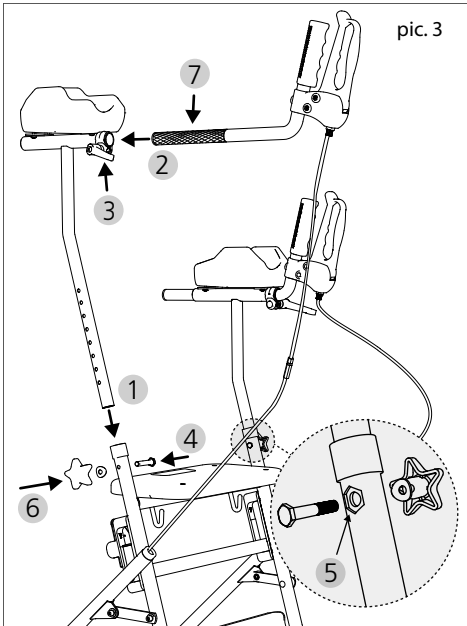
Fitting the armrests

Loosen the star screws of the two T-pipes. The T-pipes can now be inserted into the vertical tubes of the frame (1, pic. 3).

The clamping levers (3, pic. 3) at the upper end of the T-pipes must point in the direction of the front wheels.

Now insert the handlebars into the horizontal element of the T-pipes from the front (2) so that the side with the handle and the brakes points upwards in the direction of travel and fix the clamping lever (3, pic. 3).

Now apply the parking brake by pushing the brake lever away from you. (See "Brake and parking brake" chapter)



Adjusting armrests & handles

Now adjust the correct height of the armrests and the position of the handles.

Insert the hexagonal screw (4, pic. 3) from the inside of the main frame through the borehole. Now guide the curved washer over the screw thread. Ensure that the hexagonal head of the screw is seated in the "hexagonal cut-out" of the frame tube (5, pic. 3). This allows you to tighten the star screw without the need for tools (6, pic. 3).

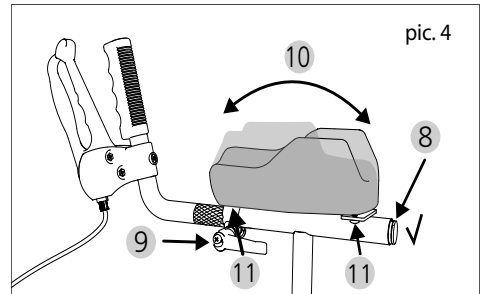
Now check the position of the handlebars. These can be adjusted in depth to the length of your forearms.

Make sure that the handle tubes are only fixed inside the corrugated area (7, pic. 3) of the T-tubes.

In order not to impair the stability of the rolla-

tor, the end of the handle tubes (8, pic. 4) must not disappear in the T-tube!

Now tighten the clamping lever (3, pic. 3) and adjust it so that the lever points in the opposite direction to the direction of travel (9, pic. 4).



The side panels of the armrests made of PU foam are raised on one side. If it is more convenient for you to reverse the armrest, it can be turned (10, Fig.4). For that four screws on the bottom of each armrest must be loosened with a cross-slot screwdriver (11, Fig.4). please contact your specialist dealer.

Checking for correct assembly

Now check that the rollator has been correctly assembled:

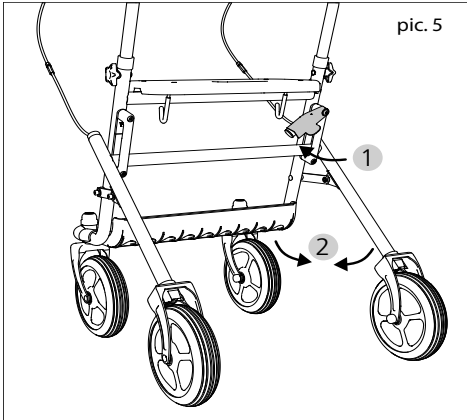
- ▶ The rollator must stand securely on all four wheels.
- ▶ The clamping levers and clamp levers must be securely tightened..
- ▶ The handle tubes and the T-tubes with the armrests must be assembled so that they are not able to rotate.

If you are unsure as to whether the rollator is assembled correctly, please contact your medical supply store or an authorised specialist retailer.

USING FAKTO+ ARTHRITIS

Make yourself sufficiently familiar with your FAKTO+ Arthritis before using it for the first time so that you feel confident when handling it.

Folding mechanism



The folding mechanism must be locked after each unfolding. Always ensure that the unlocking lever is properly engaged in the lower position (1, pic. 5).

First remove the tray and basket before unlocking and folding. Now press the unlocking lever upwards (1, pic. 5) and push the front and rear parts of the main frame together (2, pic. 5).

Please also refer to the "Unfolding the rollator" chapter.



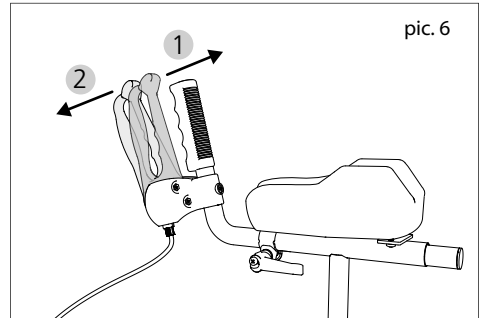
WARNING

Risk of clamping! Take care of your hands, fingers clothes and when operating the folding lock and when unfolding or folding up the rollator! —

Brake and parking brake

The brakes are operated using the brake handles mounted on the handles.

To brake while moving, pull the two brake handles towards you evenly (1, pic. 6).



To brake the rollator safely and indefinitely when stationary, for example to sit, push the brake handle firmly away from you (2, pic. 6). The brake handle engages securely and audibly in this position. Pull the brake handle towards you to release it. You can clearly notice that the brake is released.



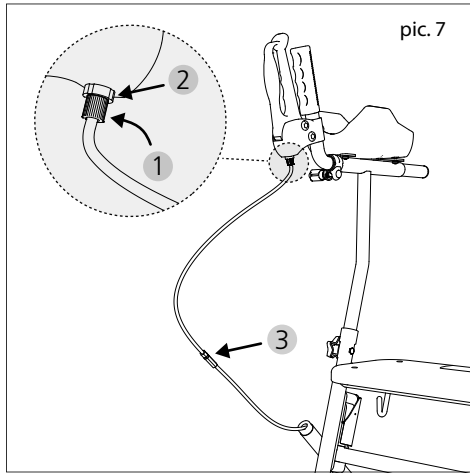
WARNING

Defective brakes! If problems occur when adjusting the brakes, please contact an authorised specialist retailer! This is the only way of ensuring the safe use of the rollator. —

Readjusting the brakes

The adjusting screw for the brake cables can be found on the brake handles. Unscrew (counter-clockwise) to increase the tension and reduce the actuation travel of the brake lever (1, pic. 7). The screw is counter-locked with a nut

(2, pic. 7). You must always tighten this counter nut after adjustment to prevent the brake cables from loosening unintentionally.



Readjusting the brakes at the cable

The brakes can also be readjusted using the cable (3, pic. 7). This can be useful if the brake lever adjustment described in the previous paragraph is no longer effective. Here, too, you must tighten the counter nut after adjustment has been completed.



WARNING

Defective brakes! Never fully unscrew the screw, otherwise the brake will no longer work.

ACCESSORIES / ADD ON

Only original accessories from DIETZ are to be used. Only then the conformity and the safety of the product is guaranteed.

Basket (fitted as standard)

The wire basket suspended underneath the seat is designed for the storage and transportation of larger goods or items up to a maximum of 5 kg.

To remove the basket, lift it off the hooks underneath the seat. The hook can now be folded upwards so that you can pick up the basket.

To attach the basket to the rollator, simply fit it back onto the hooks.

Make sure that the basket is securely attached before placing items inside.

Rack (fitted as standard)

The plastic rack underneath the basket is designed for the storage and transportation of larger items such as shopping bags, up to a maximum of 7 kg.

If you wish to clean the rack, you can remove it upwards by detaching the retaining clips that grip around the frame tube.

To re-attach the rack, push the clips back onto the frame tube and check that the rack is securely in place.

Tray (fitted as standard)

The tray is designed for the transportation of small items up to a maximum of 5 kg.

Place this on the seat. There are four pins on the bottom of the tray that can be positioned into the four holes in the seat.



WARNING

Risk of scalding! Do not use the tray to transport hot items or hot drinks.

Single hand brake (optional)

If one of your hands does not have enough strength to safely apply the brake, the Fakto+ Arthritis can be equipped with a single hand brake. This will need to be attached to the rollator by an authorised specialist retailer.

- ▶ Attaching a single hand brake to your rollator requires you to have sufficient strength in the hand that applies the brake so as to ensure safe handling.
- ▶ The same usage and maintenance instructions apply as for the version with brakes on both handlebars.

ADD-ONS & ACCESSORIES OF THIRD-PARTYS

In general, only original accessories from DIETZ GmbH may be used. If third-party products are installed on the rollator, responsibility for the safety of the product passes to the person who installs the accessories or carries out the installation. The conformity of the combination of accessories or add-ons and product is then new to be explained by the person who attaches it. The conformity declared by DIETZ according to MDR 2017/745, Annex II expires.



WARNING

Product safety! The safety of the product cannot be guaranteed if add-ons or accessories are used that are not sold by DIETZ.



WARNING

Product safety! If accessories or add-ons are combined with the rollator, then the safety instructions in the user manual for the accessories or add-on must be observed.

SAFETY INSTRUCTIONS

By observing the intended use and following the safety instructions, there is no danger of using the FAKTO+ Arthritis rollator.



WARNING

Risk of injury! Follow all safety instructions, otherwise there may be a risk of injury! _____

- ▶ The rollator may only be used indoors and on level, firm ground.
- ▶ The rollator must be securely upright on all four wheels.
- ▶ Before each use of the rollator, check that all attached parts are properly fastened, that the brakes are working and that the folding mechanism is locked.
- ▶ Always lock both brakes before sitting on the rollator's seat.
- ▶ The rollator's seat is only designed to be used for short periods, such as when taking a break when walking!
- ▶ Attention: Please note that a shift of balance due to body movements may increase the risk of the rollator tipping over.
- ▶ Do not hang any bags on the handles or other parts of the rollator, as this will increase the risk of it tipping over! There is a generally higher risk of tipping over when standing and moving with the rollator due to the high armrests. Therefore, always ensure that the load on the rollator is even!
- ▶ Pay attention to the neighbouring components when operating the folding lock (unlocking lever). There is a risk of entrapment if handled improperly!
- ▶ Never exceed the maximum combined load of 120 kg for user and load!
- ▶ Avoid exposing the rollator to direct sunlight/low temperatures for long periods of time as parts of the product (e.g. frames, footrests, brakes and side panels) may become very hot (> 41°C) or very cold (<0°C) and this may cause skin injuries.
- ▶ Ensure that the rollator is not parked in direct vicinity of emergency exits and escape routes and blocks them.
- ▶ Never use the rollator under the influence of alcohol or other substances that can negatively affect your attention and reaction ability!
- ▶ Only ever use the rollator in accordance with its intended use! When using the rollator, never approach obstacles such as steps or curbs without applying the brakes.

- ▶ The rollator must not be left to children to play and must not be subjected to improper use!
- ▶ When sitting on the rollator, you must not walk with your feet or be pushed by other persons! This is an injury risk and may cause damage to the product!
- ▶ Observe the road traffic regulations on public road traffic.
- ▶ Wherever possible, wear light, eye-catching clothing. This will allow you to be seen more easily by other road users.
- ▶ Never use the rollator as a seat in a vehicle or on public transport. This poses an increased risk of falling!
- ▶ Never use escalators. The risk of falling and injury is very high!
- ▶ Stairs must only be negotiated with the help of accompanying persons if no elevators or ramps are present.
- ▶ The wheel bearings can be damaged by sand, seawater and road salt. Clean the rollator thoroughly if it has been exposed to conditions such as these.
- ▶ If they cannot be bypassed, ruts, rails or similar obstacles must always be crossed at right angles (90°).
- ▶ The rollator must not be used to transport heavy loads. Items must only be transported using the rack, basket or tray, as described in the "Accessories" section.
- ▶ Serious incidents that occur in relation to the rollator must be reported to the manufacturer and the responsible authorities!
- ▶ If you notice any limitations in the functioning of your rollator, please take it to your authorised specialist retailer for repair immediately.
- ▶ If your product is a custom-made device (see section entitled "Product labeling"), attention must be paid not only to the latest operating instructions, but also the additional documentation including all safety instructions.

SERVICING / MAINTENANCE

We recommend performing the inspections listed in the maintenance schedule at regular intervals to ensure that the rollator is always safe to use.

Defective or neglected care and maintenance of the rollator limits liability. The maintenance schedule does not give any information concerning the amount of work actually required on the rollator.



NOTE

As the user, you will be the first to notice possible damage. If you notice a fault as described in the maintenance schedule or further defects and functional impairments, contact an authorised specialist dealer immediately. _____



NOTE

The inspections and measures stipulated in the maintenance schedule must be performed by the user or assistant if not otherwise stated. ____



WARNING



Repairs on the rollator must only be performed by specialist shops using DIETZ original spare parts to maintain the operational safety of the rollator. The relevant spare parts catalogue can be found on our website in the information of the product in question. _____




NOTE FOR SPECIALIST DEALERS:

If the user indicates abnormalities on the rollator, check all the inspection points listed in the maintenance schedule on the rollator. The checks must also be performed before putting the rollator back into operation and after longer storage periods (> 4 months). _____

MAINTENANCE SCHEDULE FAKTO+ ARTHRITIS

What	Description	monthly	before use
Brakes/parking brakes: Function	<p>The rear wheels must not turn when the brake handles are pushed or locked (parking brake) or when the brake handles are actuated (service brake).</p>  <p>The brakes must be re-adjusted following a replacement of the bowden cables or the rear wheels. This must only be carried out by an authorised specialist retailer.</p>	x	
Push handles and armrests: Stability	<ol style="list-style-type: none"> 1. It must be possible to securely lock the clamping levers of the push handles/armrests and star screw of the T-tubes. 2. The armrests and push handles must not wobble. 	x	
Folding lock and folding mechanism: Function & safety	<ol style="list-style-type: none"> 1. It must be possible to operate the lever on the folding lock without any issues. 2. It must be possible to connect and detach the two parts of the frame without any issues. When doing so, it must be possible to push the horizontal bar on the rear part of the frame into the runners on the front part of the frame without any issues. 3. It must be possible to engage the lever right at the bottom in order to lock it. 	x	
Screw connections: Securely fastened	<p>All screw connections must be securely fastened.</p>  <p>Repeated loosening and re-tightening causes self-locking nuts and screws to lose their effectiveness. These must therefore be replaced by a specialist retailer if they have become loose.</p>	x	
Steering and running wheels: Mobility, function & damage	<ol style="list-style-type: none"> 1. The wheels must run in a straight line and must not wobble. 2. The wheels must move easily and quietly during travel. 3. Please clean the wheel hub if it is dirty or if fluff has accumulated. 4. The wheels must not be damaged. 	x	
Steering and running wheels: Mobility, function & damage	<ol style="list-style-type: none"> 1. The wheels must not be damaged and must run quietly, in a straight line and without wobbling. 2. Please clean the wheel hub if it is dirty or if fluff has accumulated. 		x

What	Description	<div style="text-align: right;"> monatlich vor Fahrtbeginn </div> <div style="text-align: center;"> </div>	
Armrests: Stability & damage	1. The armrests must not be damaged or wobble. Check if the clamp levers of the T-tubes are fixed tight and if the armrests are fixed tight with the T-tubes. 2. The pad of the armrests must not be damaged.		
Push handles: Stability & damage	1. The handles and brake handles must be securely in place. 2. The push handles must not have any external damage or distortion, and must not wobble. 3. It must be possible to securely lock the clamping levers.		x
Seat: Contamination & damage	1. The seat must be securely connected to the frame. 2. If the seat is dirty, clean in accordance with the cleaning instructions. 2. If damaged, have the seat replaced.		x
Frame, complete: Function & damage	1. The two parts of the frame must not be damaged or cracked. 2. Functional or surface damage must be rectified.		x
Visual inspection: Loose parts, fractures, corrosion or other damage	 If this type of damage is detected, the rollator must no longer be used, as safe operation is no longer guaranteed!		x
Contamination: Rollator, complete	The entire rollator must be cleaned in line with the level of contamination, but at least once a month (see "Cleaning" section).		x

FAULT-FINDING AND RECTIFICATION

What	Possible causes	Measures
The front wheels do not run in a straight line.	The wheel bearings are defective or the wheel suspension is no longer correctly attached.	Consult an authorised specialist retailer.
The rollator is hard to push.	The wheel axles/wheel hubs are dirty.	Remove the dirt.
	The brakes are incorrectly adjusted.	Consult an authorised specialist retailer.
	The wheel bearings are defective or the wheel suspension is no longer correctly attached.	
The brake function is insufficient or uneven.	The brakes are incorrectly adjusted or the brake pad has worn out.	Consult an authorised specialist retailer.
The seat is positioned at an angle or is not securely attached to the rollator.	The rollator is not fully unfolded.	Fully unfold the rollator and engage the folding lock.
	The seat is defective or is incorrectly screwed onto the rollator.	Consult an authorised specialist retailer.
	The hinges on the folding mechanism or the folding lock are defective.	
The rollator does not provide secure support or does not stand reliably.	The armrests or push handles are not fixed in place properly or have been incorrectly adjusted for the user.	Check the position of the armrests and push handles.
		Check whether the clamping levers on the push handles are securely tightened.
	The rollator has not been fully unfolded and the folding lock has not been engaged.	Fully unfold the rollator and engage the folding lock.
	The rollator frame or the push handles are damaged.	Consult an authorised specialist retailer.
Squeaking or grinding noises	Various causes	Consult an authorised specialist retailer.

CLEANING

- ▶ Regularly clean the rollator by wiping with a damp cloth.
- ▶ In the event of heavier contamination, use a mild cleaning agent and warm water.
- ▶ The wheels can be cleaned using a damp brush with soft plastic bristles
- ▶ Remove dirt and fluff from the wheel hubs.
- ▶ After cleaning, ensure that all materials are completely dried in order to preserve their quality.
- ▶ Only ever use standard mild cleaning and disinfection products to clean the rollator. Detailed information on disinfection can be found in the following section.



WARNING

Material damage! Do not use high-pressure cleaners, strong, corrosive chemicals or scouring agents for cleaning purposes. _____

DESINFECTATION

When manually reconditioning a used aid for reuse, all of the aid's components must be thoroughly treated/wiped with a disinfectant. Take particular care to disinfect surfaces that come into frequent contact with hands/skin, such as handles.

Please only use the following disinfectants; use of other chemicals might damage the rollator:

- ▶ Aldehyde-free disinfectants based on alcohol (max. 70% propylalcohol)
- ▶ Aldehyde-based disinfectant



WARNING

Material damage! Observe the use and processing instructions issued by the cleaning agent/ disinfectant manufacturer. _____

FORWARDING AND REUSING

Your product is suitable to be passed on to other parties / for reuse, unless it is labelled as a custom-made device.

The number of times the rollator can be reused depends on the material wear conditions and the functional capabilities of the respective product.

If the rollator is passed on to a new user or specialist dealer for reuse, please remember to hand over all technical documents that are necessary for safe usage. The rollator must be cleaned and disinfected, and must be checked for damage and approved by the specialist retailer. To do so, please check all the inspection points listed in the maintenance schedule on the rollator.

STORAGE

To store the rollator, ensure that it is stored in a dry place protected against direct, strong sunlight and at a temperature of 0 °C to +45 °C. Do not activate the locking brakes. Secure the rollator against rolling away unintentionally.

After longer periods of storage (> 4 months), please check all the inspection points on the rollator listed in the maintenance schedule before reusing/redeploying it.



WARNING

Material damage! Do not store the rollator near a heat source or store objects on it. _____

DISPOSAL

If you no longer need the rollator, please contact your specialist dealer. They will then pick up the rollator and either dispose it properly or make further use of it. If this is not possible, please take the rollator to your local recycling facility.

PRODUCT LABELLING

Type and warning signs must always be kept legible. With the FAKTO+ Arthritis, these are attached to the horizontal connecting bar of the main frame.

Please have unreadable or missing signs/stickers replaced immediately by your specialist dealer. This includes the reflector stickers.

This information/warning sign is located next to the type plate:

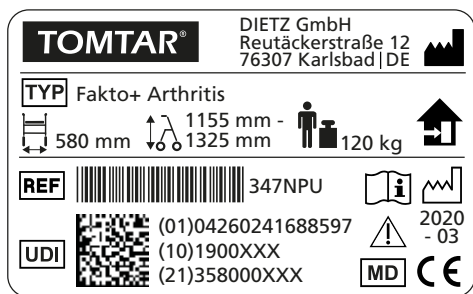
Gehilfe für Innenbereich

Achtung: Nur auf ebenem Untergrund verwenden!

Walking aid for indoor use

Attention: Use on flat and firm terrain only!

The following section explains the symbols and information on the type plate in detail. The type plate also contains the serial number of your rollator.



	REF = Article number
	UDI = Unique Device Identifier (01) UDI-DI (10) Order number (21) serial number
	manufacturer / manufacturer sign / contact address
	maximum user weight incl. load
	Manufacturing date
	Total width rollator
	Total height rollator (min.- max.)
	Rollator for indoor use
	Follow the user manual
	Attention - Please note the safety instructions in the operating instructions!
	Medical Device
	CE mark

	trademark, brandname or product brand
	Type

Products with the following designation are custom-made devices:

SONDERANFERTIGUNG CUSTOM-MADE DEVICE

Custom-made devices are products which are customised for a particular user. The type plate, warnings, and where applicable the intended use differ in this case. Please pay attention to the additional documentation!

WARRANTY

Warranty services refer to all product defects which are verifiably attributable to material or manufacturing flaws. The warranty period is 24 months as of receipt of notification of readiness for shipping, but following delivery at the latest. Damage which has occurred due to natural wear, intent, and negligent or improper operation or usage is excluded from the warranty obligation. This also applies to the use of unsuitable care products, lubricating oils or greases.

LIFETIME

The expected product service life is five years when used daily and if used as intended. This assumes compliance with the maintenance and safety specifications stipulated in this manual.

LIABILITY

Dietz GmbH only bears liability if the products are used under the specified conditions and for the specified purposes. We recommend that the products be handled appropriately and cared for according to the instructions. Dietz GmbH accepts no liability for damage caused by components and replacement parts which have not been approved by DIETZ GmbH. Repairs must only be carried out by authorised specialist retailers or by the manufacturer itself.

DIMENSIONS AND TECHNICAL DATA

Description	Unit	FAKTO+ Arthritis
article number		347NPU
material / color: frame		steel tube, powder coated, weldet / mangan grey
material / color / size: wheels		PU, non marking / dark grey / 200/50mm
material / color: stacker, brake lever		nylon glass fiber / black
material / color: grips // armrests		PVC / black // PU-foam / black
material / color: seat // tray		PP / black // acrylic / transparent
material / color: basket		steel, powder coated / grey
overall width	mm	580
overall length	mm	620
overall height min. / max.	mm	1155 / 1325
size seat: width x height x depth	mm	380 x 595 x 190
height armrests min. / max. (middle inside armrests)	mm	980 / 1145
adjustability height T-tubes with armrests		8 drillings (with stargrip screws) to ever 25 mm
dimensions folded, lying (H / W / L)	mm	505 / 580 / 1120
dimensions folded, lying, w/o T-tubes	mm	250 / 580 / 685
Turning width	mm	1150
tilting stability forward	°	10,0 (according to EN ISO 11199-3:2005)
tilting stability backwards	°	4,0 (according to EN ISO 11199-3:2005)
tilting stability sideways	°	3,5 (according to EN ISO 11199-3:2005)
weight without / with accessories	kg	10 / 11
maximum user weight incl. payload	kg	120
max. load accessories	kg	basket: 5 / tray: 5 / stacker: 7
recommended height	m	1,55 - 1,85

PRODUCT TESTS


Complete test according walking table standard	EN ISO 11199-3
Durability according rollator standard	EN ISO 11199-2
Biocompatibility	ISO 10993

ENVIRONMENTAL CONDITIONS

Ambient operation temperature	-10°C to +50°C
Ambient storage conditions	0°C to 45°C 20% to 75% relative humidity

CAPTURE IDENTIFICATION DATA

We recommend to write down your product identification data below, so that you have these on hand, when you require any further information about your product. You'll find these data on the label attached to your product. (see chapter product labeling)*

TYP Typ / model:	
REF Item nr. / REF:	
UDI Serial number (21):	
 Date of manufacture:	
Other information:	

* The identification data and/or type plate may differ for custom models.

TOMTAR®

Product group: Rollators
Product: FAKTO+ Arthritis Rollator
User manual version 1.2.1 EN (MSC)
Stand 07-2021



TOMTAR is a registered trade mark of DIETZ GmbH.

DIETZ GmbH
Reutäckerstraße 12
76307 Karlsbad
Germany

Tel.: +49 7248.9186-0
Fax: +49 7248.9186-86

info@dietz-reha.de
www.dietz-rehab.de

Misprint, falsities, price and product changes reserved.
© DIETZ GmbH Reha-Produkte, Karlsbad
Reproduction, also extracts, by written permission from
DIETZ GmbH, Karlsbad only