

# TOMTAR

## BASIK+

GENUINE SPARE PARTS

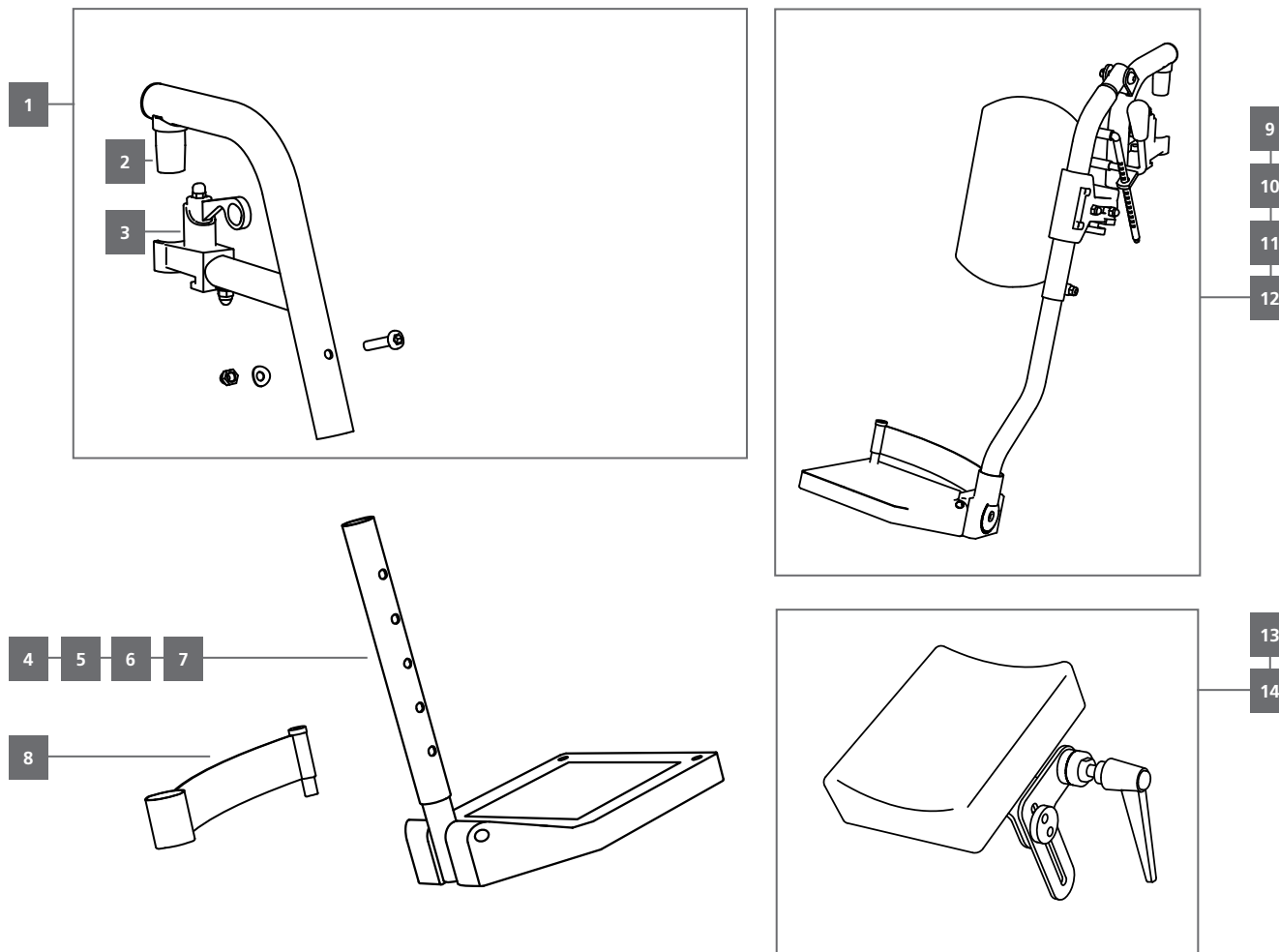


# BASIK+

## Lightweight wheelchair

**TOMTAR**

Assembly <b>Legrest</b>	Product name <b>BASIK+</b>	Item no. <b>107039 - 107051 + 107139 - 107151</b>	Version <b>01/2019   V.2.0.0</b>
----------------------------	-------------------------------	--	-------------------------------------



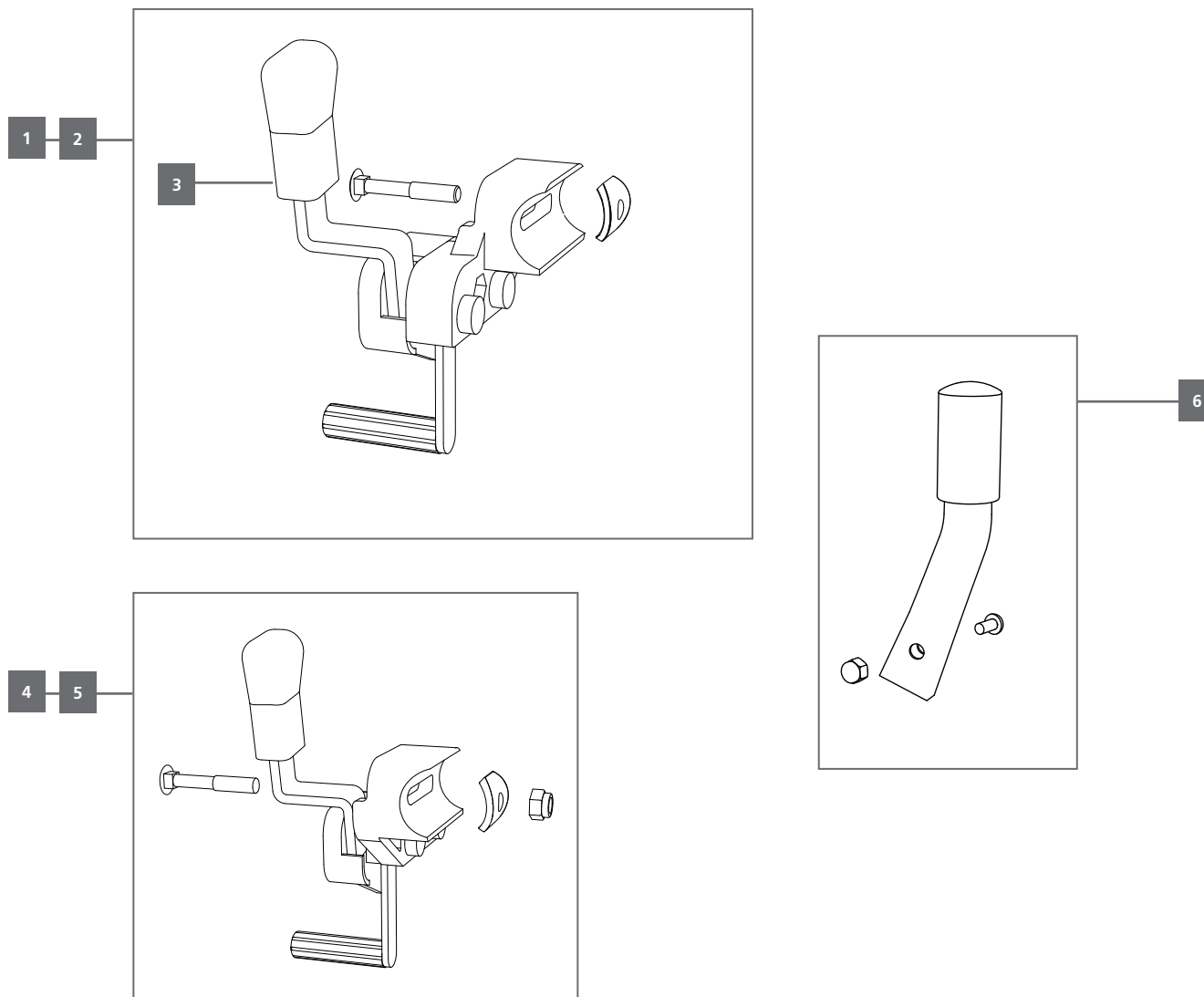
Position	QTY./assembly	Item no.	Description	QTY. supply
01	2	196081	Legrest upper part, aluminium, set complete	pc.
02	2	196083	Pivot pin, legrest, incl. screw	pc.
03	2	196082	Legrest locking lever, incl. screw	pc.
04	1	196090	Legrest lower part, SW 39-42, right, aluminium, incl. foot plate, w/o heel strap	pc.
05	1	196089	Legrest lower part, SW 39-42, left, aluminium, incl. foot plate, w/o heel strap	pc.
06	1	196092	Legrest lower part, SW 45-51, right, aluminium, incl. foot plate, w/o heel strap	pc.
07	1	196091	Legrest lower part, SW 45-51, left, aluminium, incl. foot plate, w/o heel strap	pc.
08	2	196088	Heel strap, incl. mounting screw	pc.
09	1	196200	Elevating legrest, SW 39 - 42, right, angle-adjustable-foot plates	pc.
10	1	196201	Elevating legrest, SW 39 - 42, left, angle-adjustable-foot plates	pc.
11	1	196202	Elevating legrest, SW 45 - 51, right, angle-adjustable-foot plates	pc.
12	1	196203	Elevating legrest, SW 45 - 51, left, angle-adjustable-foot plates	pc.
13	1	196204	Amputation legrest set complete, right	pc.
14	1	196205	Amputation Legrest set complete, left	pc.

# BASIK+

## Lightweight wheelchair

**TOMTAR**

Assembly	Product name	Item no.	Version
Park brake	BASIK+	107039 - 107051 + 107139 - 107151	01/2019   V.2.0.0



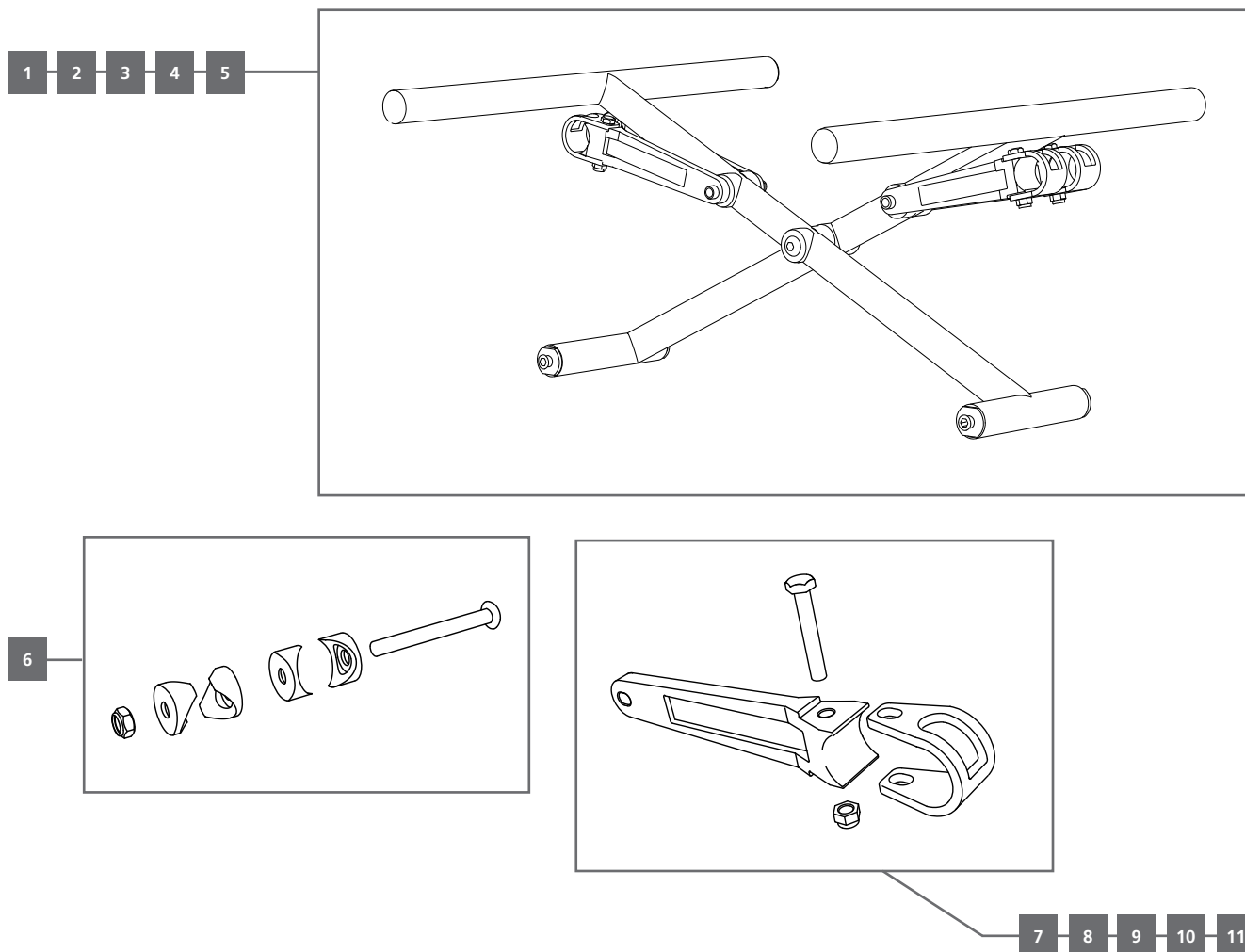
Position	QTY./assembly	Item no.	Description	QTY. supply
01	1	196020	Park brake, right, incl. screw	pc.
02	1	196021	Park brake, left, incl. screw	pc.
03	2	196022	Rubber grip, park brake	pc.
04	1	196216	Park brake right assembled, wheelbase extension	pc.
05	1	196217	Park brake left assembled, wheelbase extension	pc.
06	2	196210	Brake lever extension, left/right incl. screws (pair)	pair

# BASIK+

## Lightweight wheelchair

**TOMTAR**

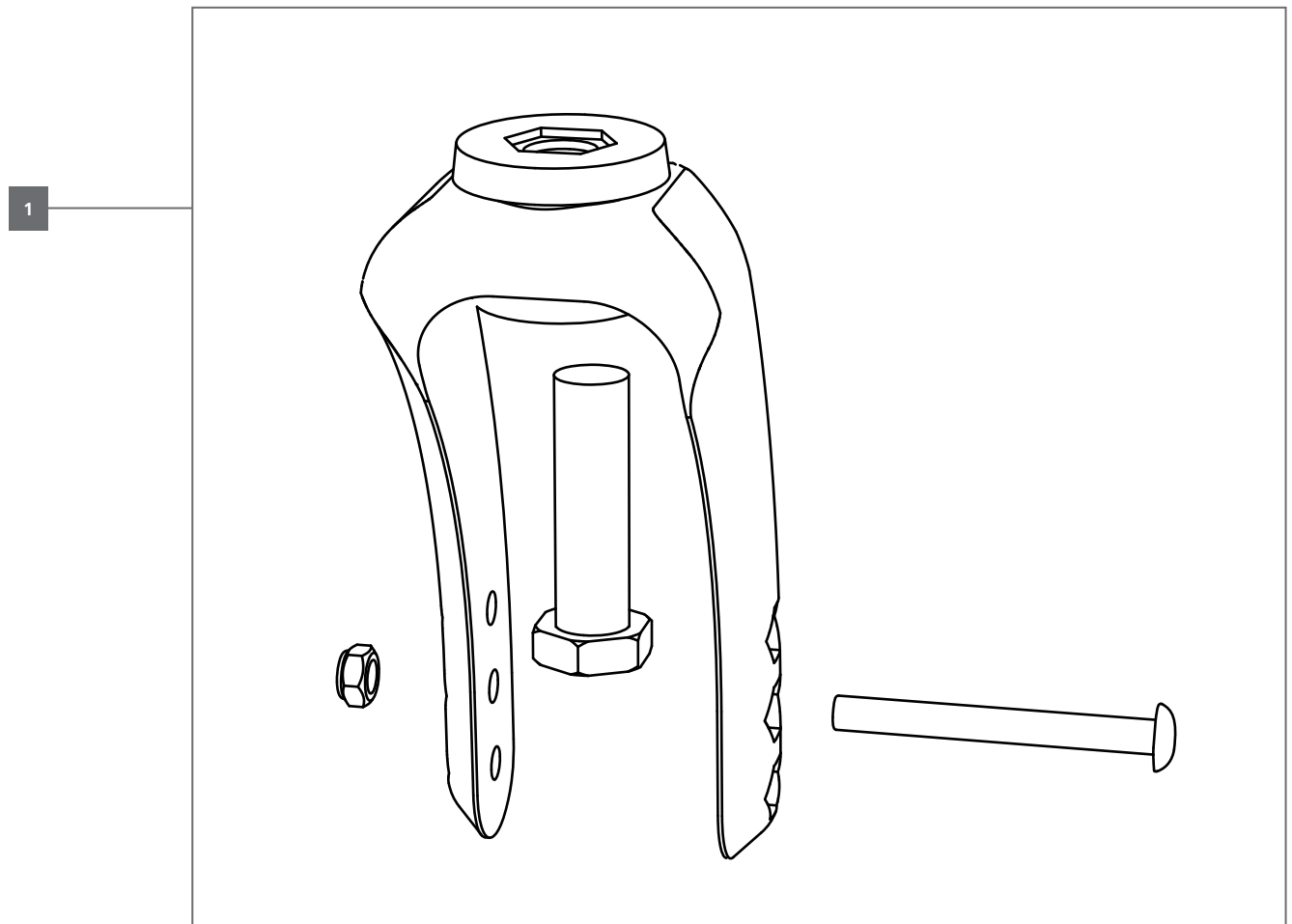
Assembly	Product name	Item no.	Version
Cross brace	BASIK+	107039 - 107051 + 107139 - 107151	01/2019   V.2.0.0



Position	QTY./assembly	Item no.	Description	QTY. supply
01	1	196100	crossbrace alu, set complete SW 39	pc.
02	1	196101	crossbrace alu, set complete SW 42	pc.
03	1	196102	crossbrace alu, set complete SW 45	pc.
04	1	196103	crossbrace alu, set complete SW 48	pc.
05	1	196104	crossbrace alu, set complete SW 51	pc.
06	1	196105	Mid-axle set complete, crossbrace	pc.
07	2	196106	Crossbrace mounting rail, SW 39cm, incl. clamp, screw & nut	pc.
08	2	196107	Crossbrace mounting rail, SW 42cm, incl. clamp, screw & nut	pc.
09	2	196108	Crossbrace mounting rail, SW 45cm, incl. clamp, screw & nut	pc.
10	2	196109	Crossbrace mounting rail, SW 48cm, incl. clamp, screw & nut	pc.
11	2	196110	Crossbrace mounting rail, SW 51cm, incl. clamp, screw & nut	pc.

**BASIK+****TOMTAR****Lightweight wheelchair**

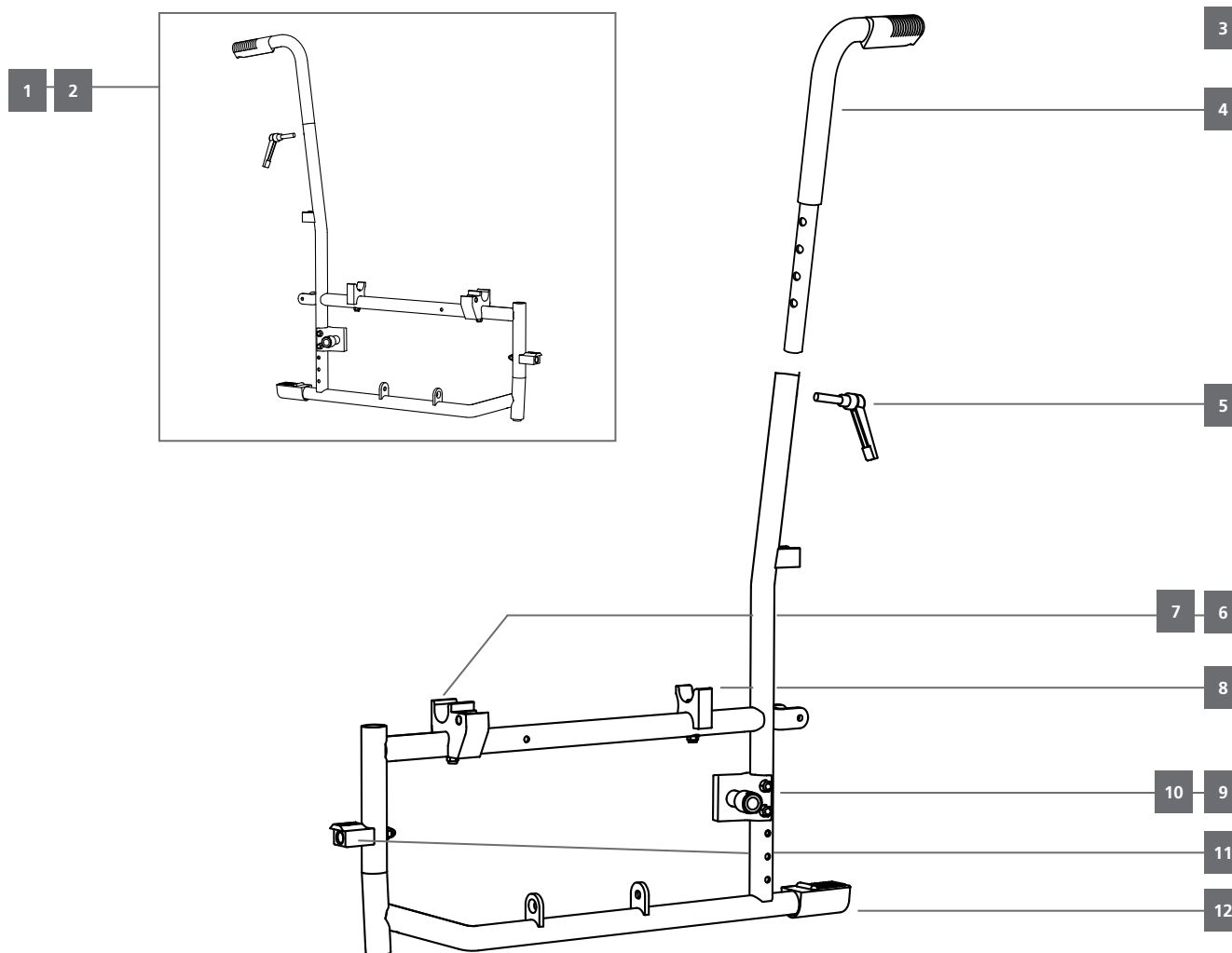
Assembly	Product name	Item no.	Version
Wheel fork	BASIK+	107039 - 107051 + 107139 - 107151	01/2019   V.2.0.0



Position	QTY./assembly	Item no.	Description	QTY. supply
01	2	196015	Wheel fork set complete, swivel wheel (set for one side)	pc.

**BASIK+****TOMTAR****Lightweight wheelchair**

Assembly	Product name	Item no.	Version
Side frame	BASIK+	107039 - 107051 + 107139 - 107151	01/2019   V.2.0.0



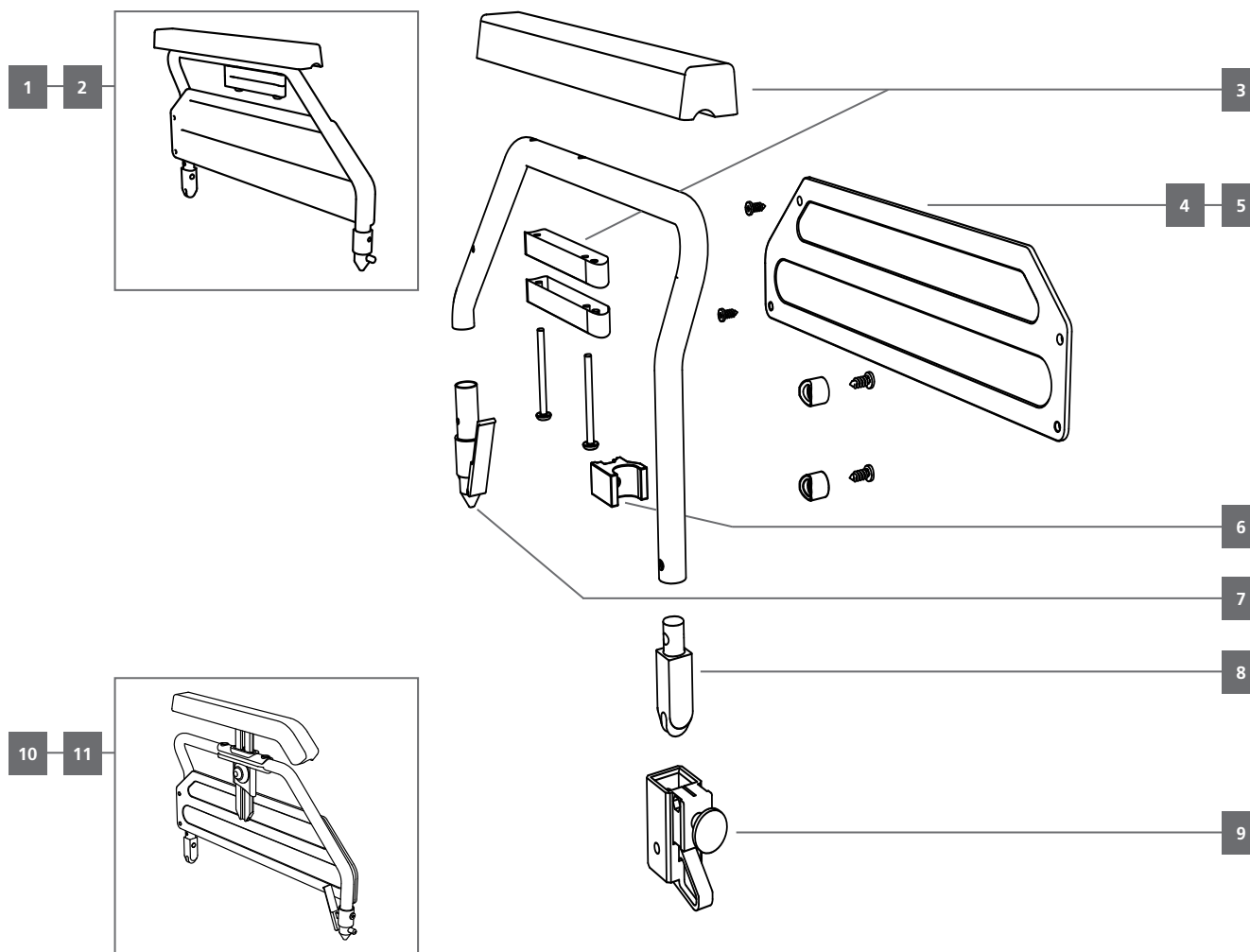
Position	QTY./assembly	Item no.	Description	QTY. supply
01	1	196002	Sideframe cpl., right, incl. mounting sockets, handgrip, tipping cap	pc.
03	2	196005	Grip left/right, pair	pc.
04	2	196006	Push handle, incl. grip	pair
05	2	196007	Locking lever, push handle	pc.
06	1	196009	Front socket , right, incl. screw, sideguard	pc.
07	1	196010	Front socket , left, incl. screw, sideguard	pc.
08	2	196008	Rear socket crossbrace, incl. screw, right/left	pc.
09	2	196030	Drive wheel adapter cpl. set, right/left	pc.
10	2	196031	Drive wheel adapter cpl. set, drum brake right/left	pc.
11	2	196011	Socket , legrest, incl. screw	pc.
12	2	196004	Tipping cap wheelchair, black	pc.

# BASIK+

## Lightweight wheelchair

# TOMTAR

Assembly Sideguard	Product name BASIK+	Item no. 107039 - 107051 + 107139 - 107151	Version 01/2019   V.2.0.0
-----------------------	------------------------	---	------------------------------



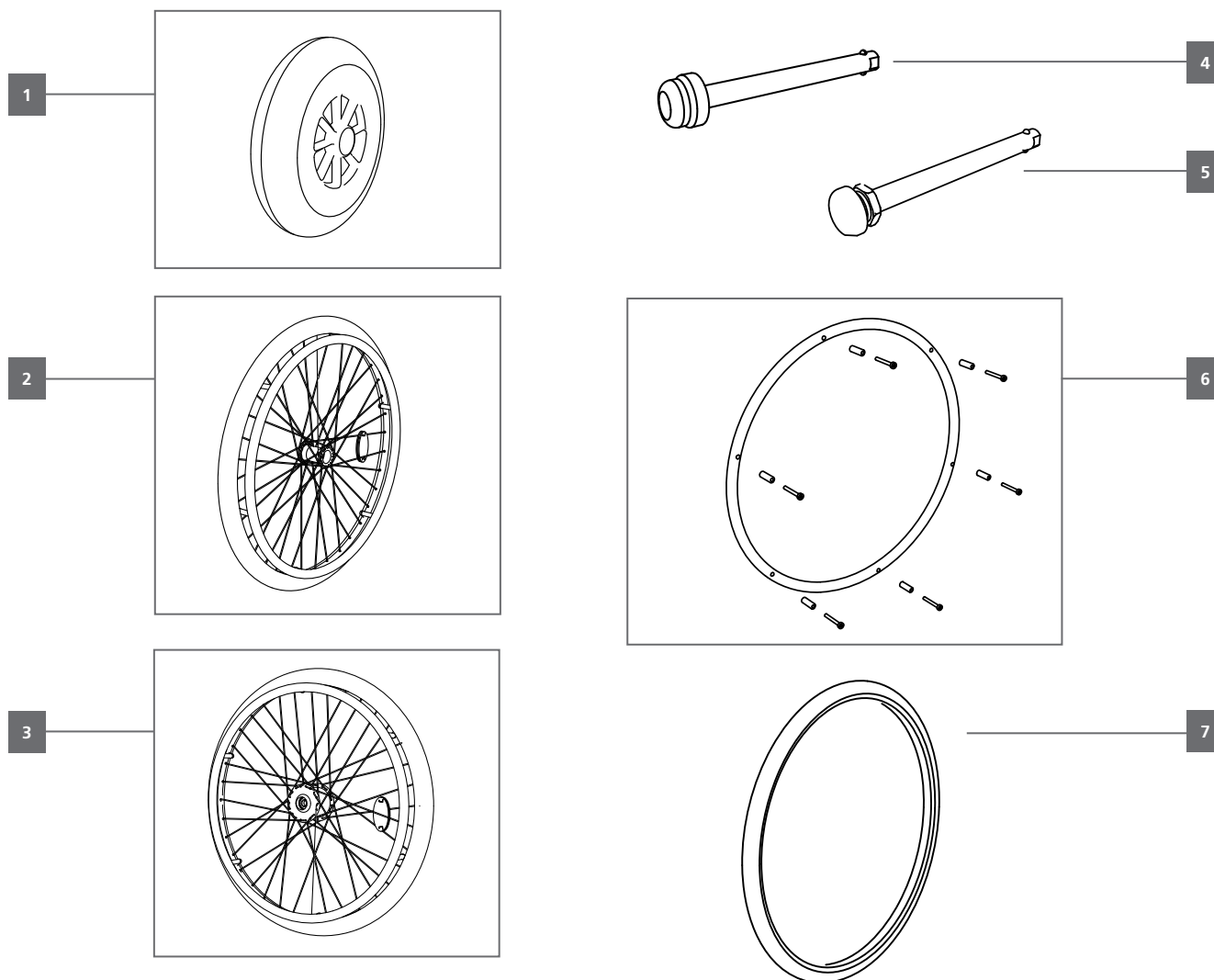
Position	QTY./assembly	Item no.	Description	QTY. supply
01	1	196111	Sideguard alu set complete, right incl. armpad	pc.
02	1	196112	Sideguard alu set complete, left incl. armpad	pc.
03	2	196072	Armpad PU, incl. height adjustment & screws	pc.
04	1	196077	Sideskirt black left incl. 4 screws	pc.
05	1	196078	Sideskirt black right incl. 4 screws	pc.
06	2	196075	Sideguard locking rear, incl. screw, left/right	pc.
07	2	196073	Release pin front. incl. screw, sideguard	pc.
08	2	196033	Pivot pin incl. screw, sideguard	pc.
09	2	196032	Rear Socket, sideguard, incl. screw	pc.
10	1	196214	Sideguard hight adj., aluminium, right set complete	pc.
11	1	196215	Sideguard hight adj., aluminium, left set complete	pc.

# BASIK+

## Lightweight wheelchair

# TOMTAR

Assembly	Product name	Item no.	Version
Wheels	BASIK+	107039 - 107051 + 107139 - 107151	01/2019   V.2.0.0

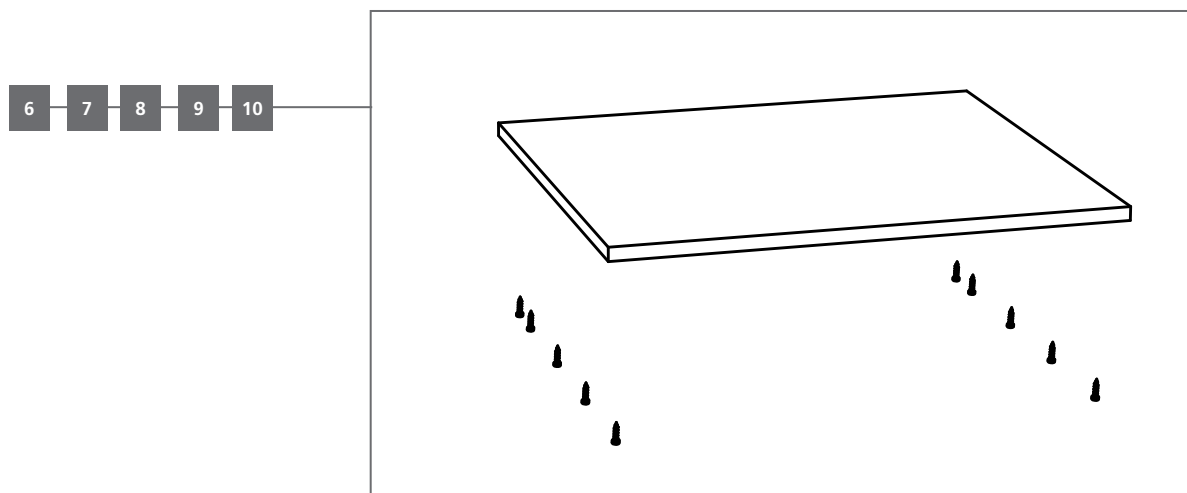
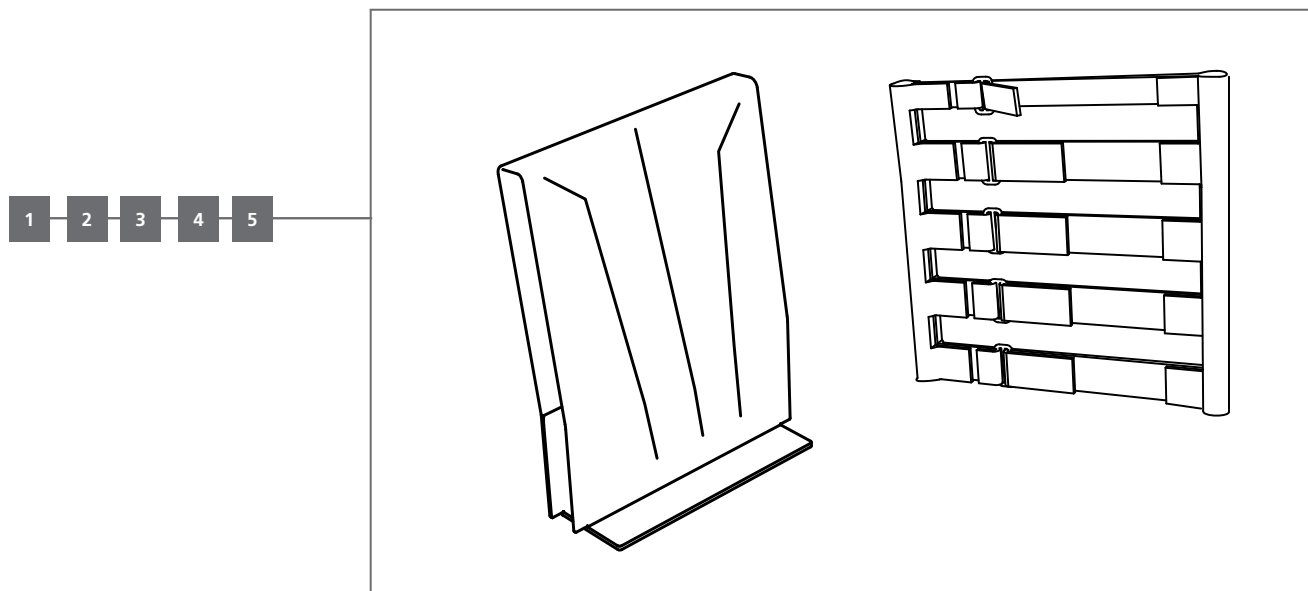


Position	QTY./assembly	Item no.	Description	QTY. supply
01	2	196036	Wheel, 7", PU groove tread, grey, rim black	pc.
02	2	196037	Wheel, 24", alu, PU block tread, grey, rim grey, hub black, push rim silver	pc.
03	2	196038	Wheel, 24", hub DB, alu, PU block tread, grey, rim grey, hub/push rim silver	pc.
04	2	196034	Quick release axle, hub standard	pc.
05	2	196035	Quick release axle, hub drum brake	pc.
06	2	196040	Push rim, for 24" rim, alu, silver, cpl.	pc.
07	2	196039	Tyre, for 24" rim, PU block tread, grey	pc.
w/o fig.	2	400695	Push rim cover silicon black grooved, drive wheel 24"	pc.
w/o fig.	2	400696	Push rim cover, silicon, black /smooth, drive wheel 24"	pc.
w/o fig.	2	400693	Push rim cover, silicon, black/grooved, drive wheel 22"	pc.
w/o fig.	2	402206	Spoke guard transparent, complete, drive wheel 24"	pc.
w/o fig.	2	402207	Spoke guard transparent, complete, drive wheel 22"	pc.



**BASIK+****TOMTAR****Lightweight wheelchair**

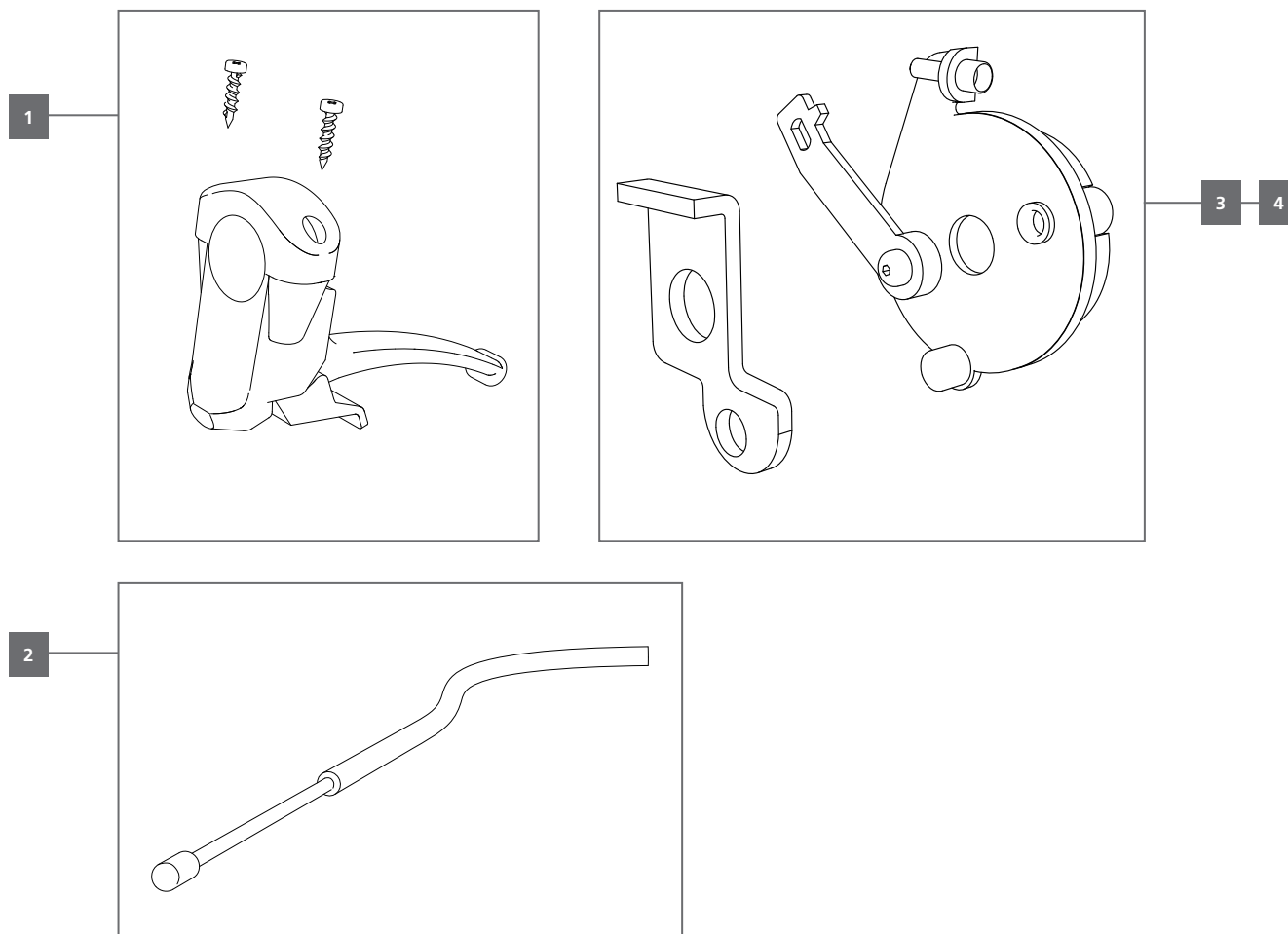
Assembly	Product name	Item no.	Version
Seat	BASIK+	107039 - 107051 + 107139 - 107151	01/2019   V.2.0.0



Position	QTY./assembly	Item no.	Description	QTY. supply
01	1	196055	Backrest cushion SW39, incl. Velcro back adj.	pc.
02	1	196056	Backrest cushion SW42, incl. Velcro back adj.	pc.
03	1	196057	Backrest cushion SW45, incl. Velcro back adj.	pc.
04	1	196058	Backrest cushion SW48, incl. Velcro back adj.	pc.
05	1	196059	Backrest cushion SW51, incl. Velcro back adj.	pc.
06	1	196060	Seat upholstery, SW 39, incl. 10 screws	pc.
07	1	196061	Seat upholstery, SW 42, incl. 10 screws	pc.
08	1	196062	Seat upholstery, SW 45, incl. 10 screws	pc.
09	1	196063	Seat upholstery, SW 48, incl. 10 screws	pc.
10	1	196064	Seat upholstery, SW 51, incl. 10 screws	pc.

**BASIK+****TOMTAR****Lightweight wheelchair**

Assembly	Product name	Item no.	Version
Drum brake	BASIK+	107139 - 107151	01/2019   V.2.0.0



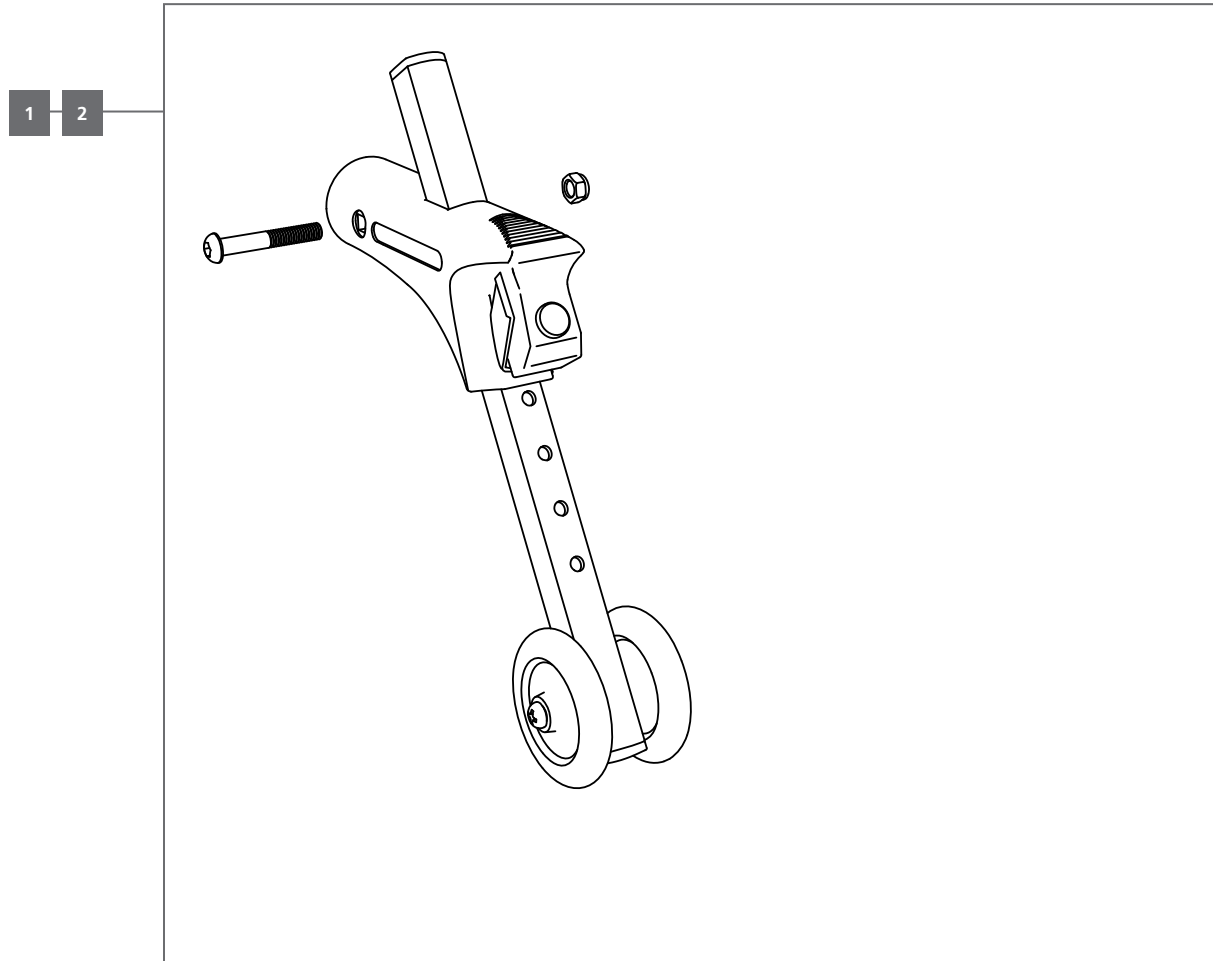
Position	QTY./assembly	Item no.	Description	QTY. supply
01	2	196023	Brake lever incl screws, attendant brake	pc.
02	2	196024	Brake cable and housing	pc.
03	1	196025	Brake carrier system cpl., right	pc.
04	1	196026	Brake carrier system cpl., left	pc.

# BASIK+

**TOMTAR**

## Lightweight wheelchair

Assembly	Product name	Item no.	Version
Anti-tipp wheel	BASIK+	107039 - 107051 + 107139 - 107151	01/2019   V.2.0.0



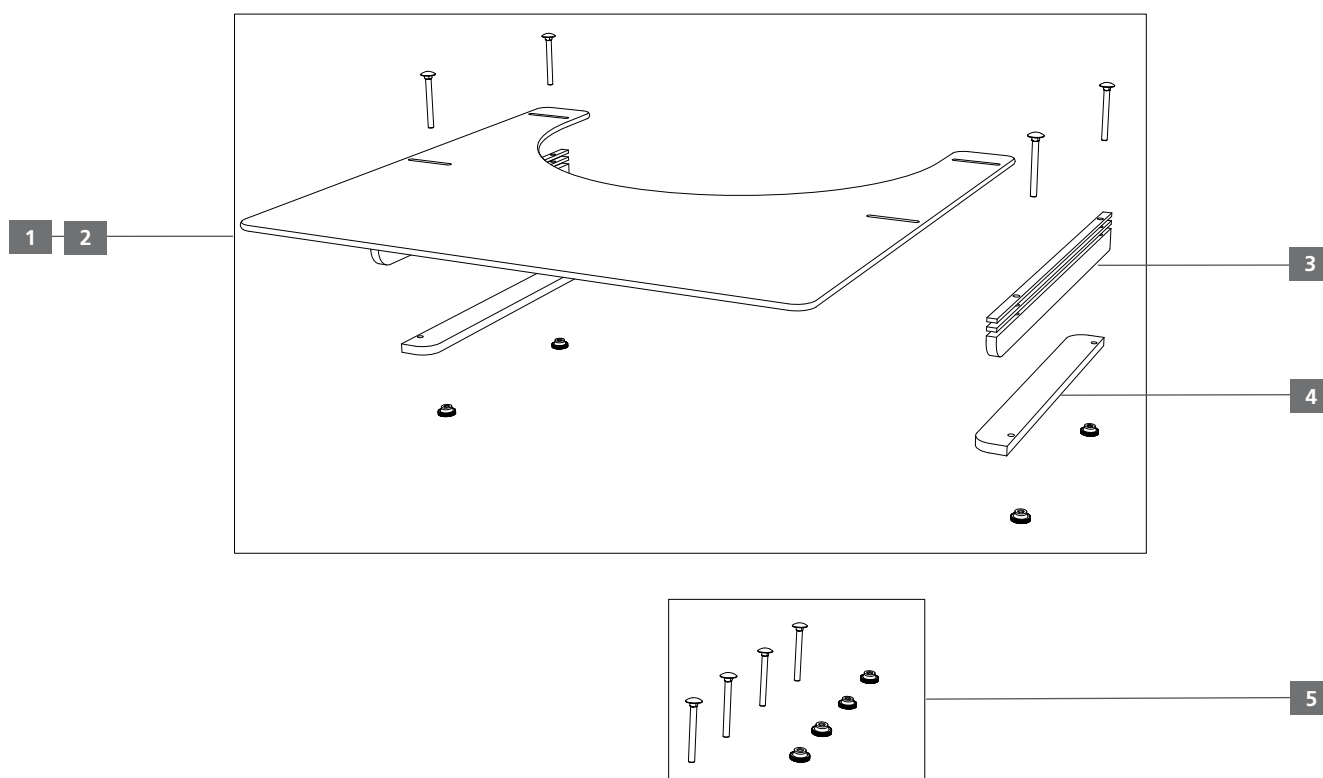
Position	QTY./assembly	Item no.	Description	QTY. supply
01	1	196206	Anti-tip wheel, left/right	pc.

# BASIK+

## Lightweight wheelchair

**TOMTAR**

Assembly	Product name	Item no.	Version
Activity tray	BASIK+	107039 - 107051 + 107139 - 107151	01/2019   V.2.0.0



Position	QTY./assembly	Item no.	Description	QTY. supply
01	1	402270	Activity tray for SW 36-45 cm, acrylglas (adjustable width 48-57,5 cm) complete	pc.
02	1	402271	Activity tray for SW 48-51 cm, acrylglas (adjustable width 53,5- 63 cm) complete	pc.
03	4	400911	Support rails long for activity tray (2x25 & 2x4mm rails from set)	set
04	2	400912	Support rails short for activity tray (set = 2 rails)	set
05	1	401719	Screw set for activity tray (set = 4 screws & 4 knurled nuts)	set

**BASIK+****TOMTAR****Lightweight wheelchair**

Assembly	Product name	Item no.	Version
Walking stick holder	BASIK+	107039 - 107051 + 107139 - 107151	01/2019   V.2.0.0



Position	QTY./assembly	Item no.	Description	QTY. supply
01	1	402260	Walking stick holder complete, 25 mm cane	pc.

**BASIK+****TOMTAR****Lightweight wheelchair**

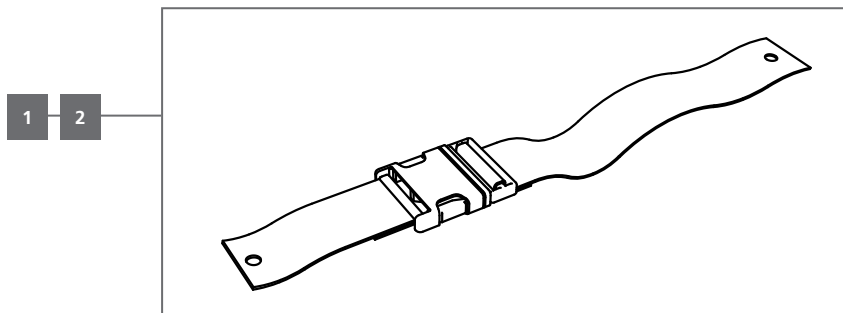
Assembly	Product name	Item no.	Version
Folding lock	BASIK+	107039 - 107051 + 107139 - 107151	01/2019   V.2.0.0



Position	QTY./assembly	Item no.	Description	QTY. supply
01	1	410017	Folding lock, black , SW 39-60 cm	pc.

**BASIK+****TOMTAR****Lightweight wheelchair**

Assembly	Product name	Item no.	Version
Other	BASIK+	107039 - 107051 + 107139 - 107151	01/2019   V.2.0.0



Position	QTY./assembly	Item no.	Description	QTY. supply
01	1	196208	Lap belt for SW 39 - 45cm	pc.
02	1	196209	Lap belt for SW 48 - 51cm	pc.
w/o fig.	1	400810	Head rest, complete for SW 40-56 cm	pc.
w/o fig.	1	400351	Shopping net for folding wheelchair	pc.
w/o fig.	1	190016	Infusion holder, stainless steel, with two arm holder of plastic	pc.