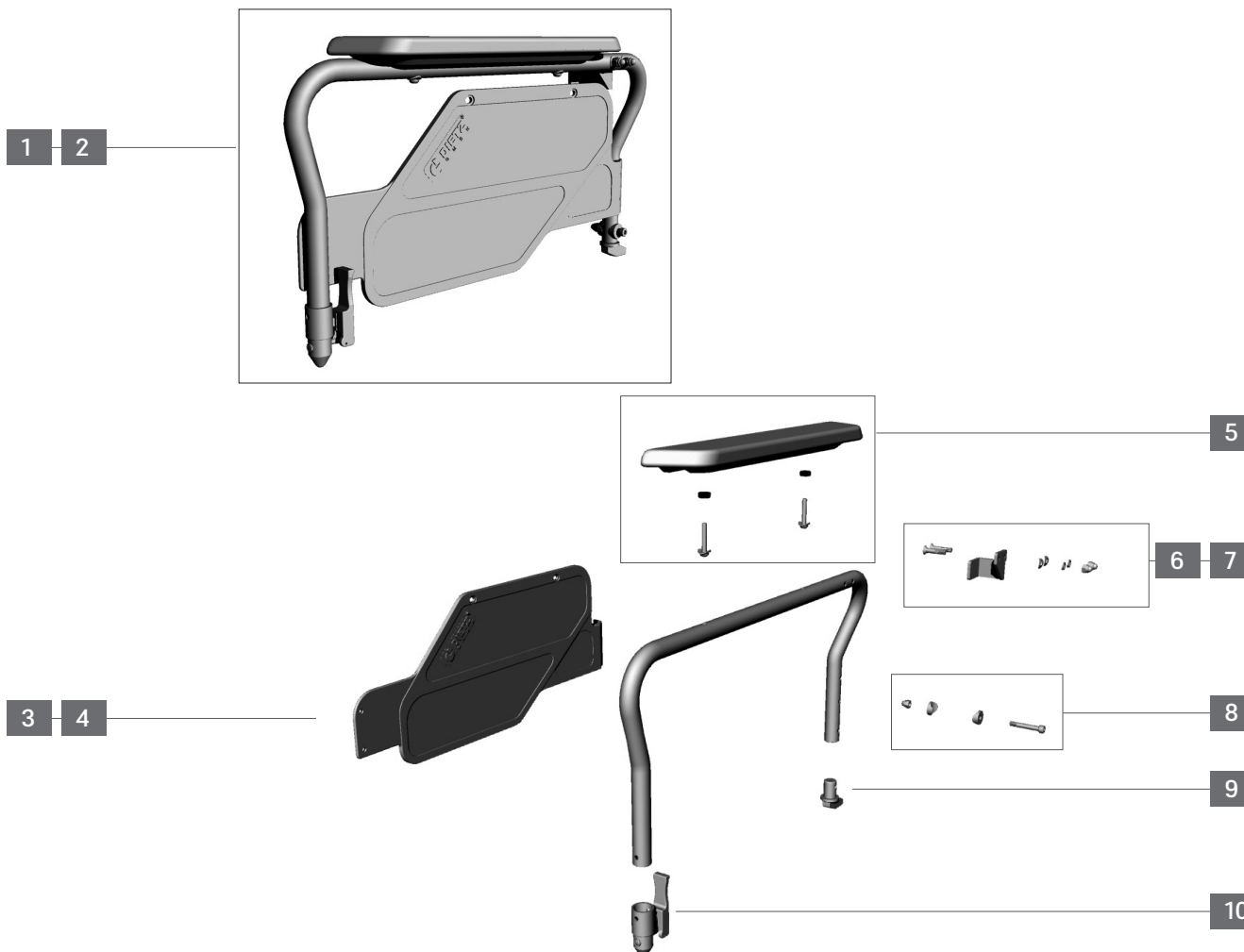


CANEO_XL



Wheelchair, foldable heavy duty

Assembly	Product name	Item no.	Version
Sideguard	CANEO_XL 170 kg	151161 151162 151163 151164	V 2.4
	CANEO_XL 200 kg	151056 151060 151156 151160	2024-02



Position	QTY./assembly	Item no.	Description	QTY. supply
1	1	195024	Sideguard, heavy duty, right	pc.
2	1	195023	Sideguard, heavy duty, left	pc.
3	1	420012	Sideskirt black, right	pc.
4	1	420013	Sideskirt black, left	pc.
5	2	470002	Armpad incl. screw set, right/left	pc.
6	1	195030	Locking set, sideguard incl. cap, right	pc.
7	1	195029	Locking set, sideguard incl. cap, left	pc.
8	2	401694	Screw M6x40 & cap nut, locking sideguard	pc.
9	2	400059	Locking pin, sideguard	pc.
10	2	460000	Locking pin with release lever	pc.

CANEO_XL



Wheelchair, foldable heavy duty

Assembly	Product name	Item no.	Version
Legrest	CANEO_XL 170 kg	151161 151162 151163 151164	V 2.4
	CANEO_XL 200 kg	151056 151060 151156 151160	2024-02



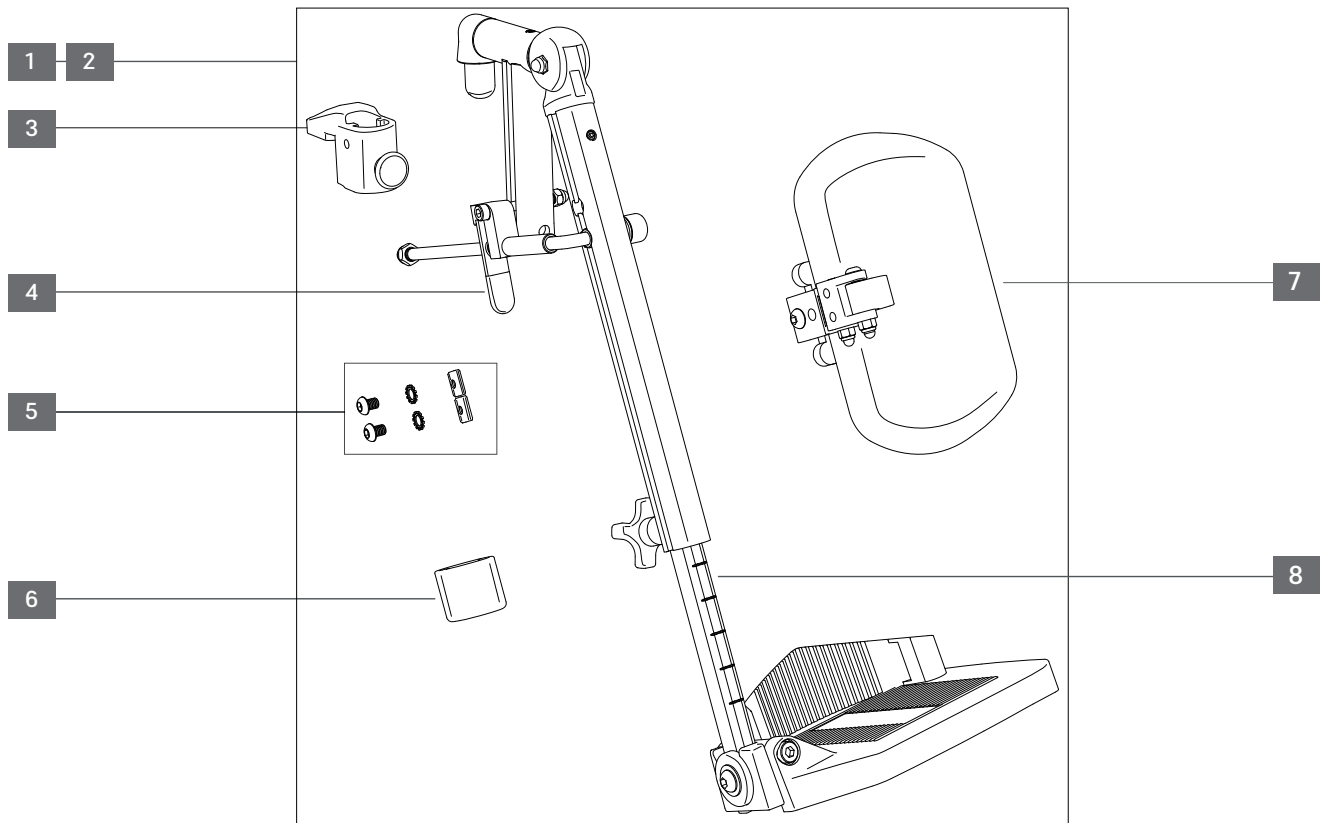
Position	QTY./assembly	Item no.	Description	QTY. supply
1	1	195025	Legrest cpl., left	pc.
2	1	195026	Legrest cpl., right	pc.
3	2	470004	Legrest upper part set complete	pc.
4	2	460076	Pivot pin incl. angle, legrest	set.
5	2	410078	Socket block set complete, legrest	pc.
6	2	470037	Plastic rail with release lever, legrest upper part	pc.
7	2	410247	Screw, leg length adjustment	pc.
8	1	470028	Lower legrest right, SW48-51cm	pc.
9	1	470031	Lower legrest left, SW48-51cm	pc.
10	1	195022	Footboard SW 56/60 cm incl. calf strap	pc.

CANEO_XL



Wheelchair, foldable heavy duty

Assembly	Product name	Item no.	Version
Elevating legrest	CANEO_XL 170 kg	151161 151162 151163 151164	V 2.4
	CANEO_XL 200 kg	151056 151060 151156 151160	2024-02



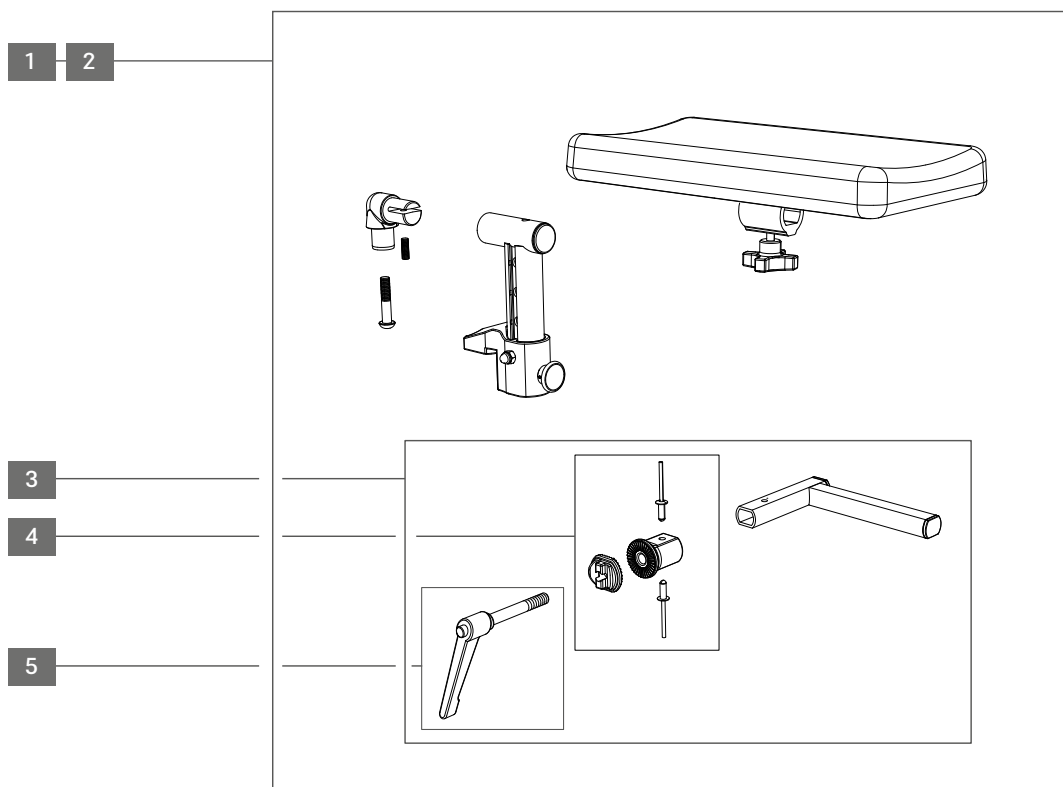
Position	QTY./assembly	Item no.	Description	QTY. supply
1	1	194019	Elevating legrest, SH 42-53cm, left (seat to footrest distance 415-525 mm)	pc.
2	1	194020	Elevating legrest, SH 42-53cm, right (seat to footrest distance 415-525 mm)	pc.
3	1-2	198021	Socket block set, upper legrest	pc.
4	1-2	194010	Locking lever elevating legrest	pc.
5	1-2	198061	Clamp set height adj., lower leg pad, elevating legrest	set.
6	1-2	198076	Guide bushing, legrest	pc.
7	1-2	190011	Pad, lower leg, elevating footrest incl. bracket	pc.
8	1-2	404072	Lower legrest tube, long (seat to footrest distance 490-600 mm)	pc.

CANEO_XL



Wheelchair, foldable heavy duty

Assembly	Product name	Item no.	Version
Amputee legrest	CANEO_XL 170 kg	151161 151162 151163 151164	V 2.4
	CANEO_XL 200 kg	151056 151060 151156 151160	2024-02



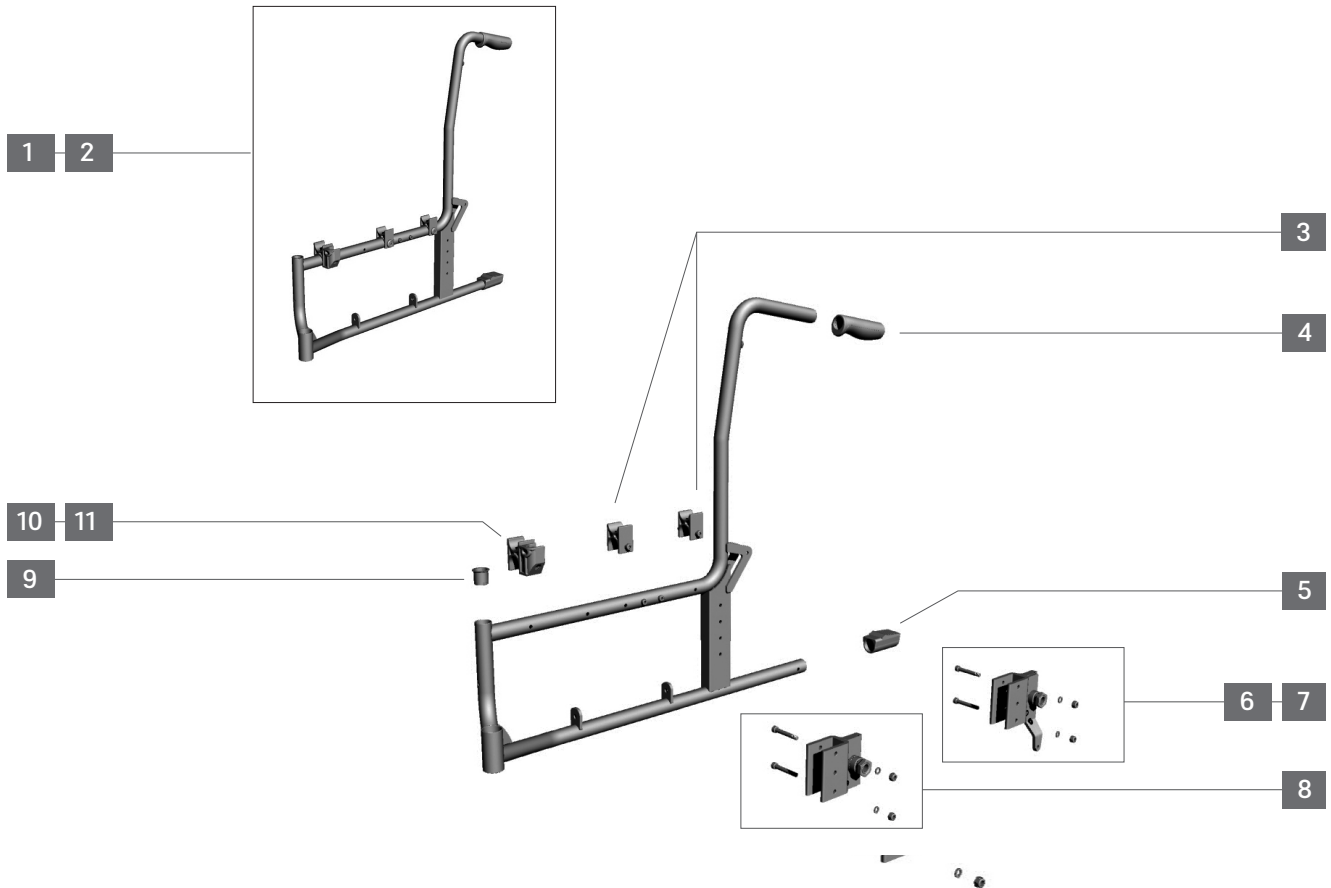
Position	QTY./assembly	Item no.	Description	QTY. supply
1	1	410081	Amputee legrest, with socket block, right	pc.
2	1	410082	Amputee legrest, with socket block, left	pc.
3	1-2	190010	Bracket for amputation pad (set for 1 amputation pad)	set
4	1-2	410083	Toothed lock washer set, left/right	set
5	1-2	197003	Locking lever M8x50 mm	pc.

CANEO_XL



Wheelchair, foldable heavy duty

Assembly	Product name	Item no.	Version
Side frame	CANEO_XL 170 kg	151161 151162 151163 151164	V 2.4
	CANEO_XL 200 kg	151056 151060 151156 151160	2024-02



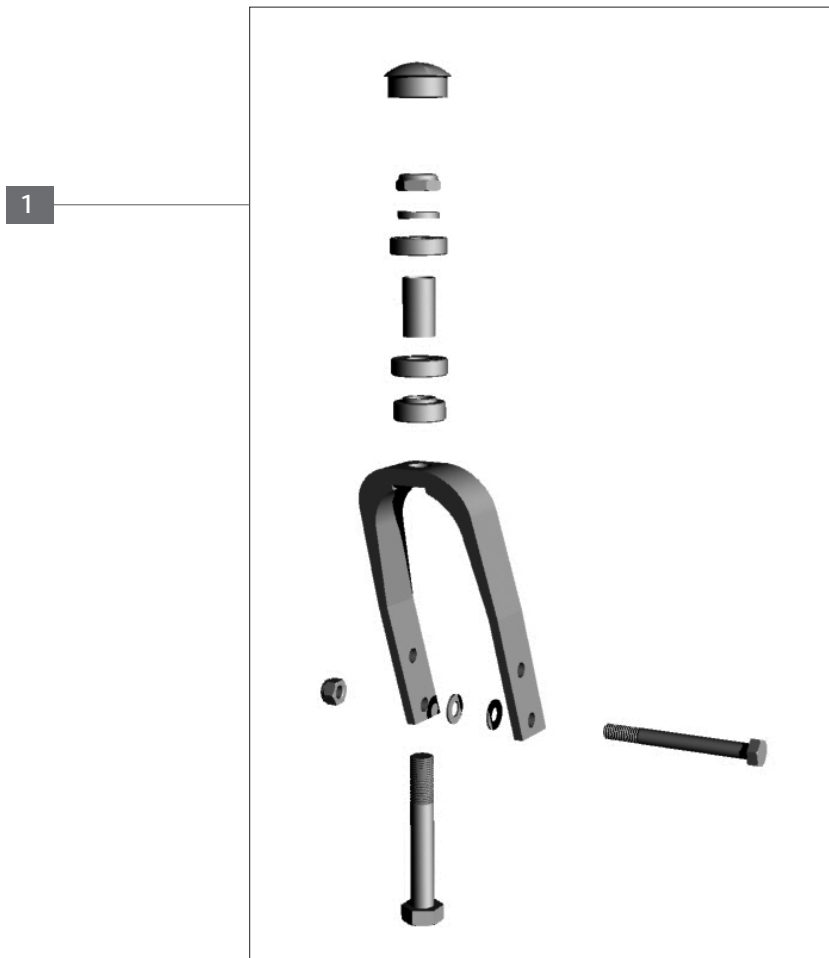
Position	QTY./assembly	Item no.	Description	QTY. supply
1	1	195043	Side frame w/o adapter drive wheel, left	pc.
2	1	195044	Side frame w/o adapter drive wheel right	pc.
3	1	400067	Socket, crossbrace	pc.
4	2	190047	Plastic grip, black	set
5	2	400082	Tipping cap wheelchair, black	pc.
6	1	195033	Drive wheel adapter set, left, drum brake with axle socket	pc.
7	1	195034	Drive wheel adapter set, right, drum brake with axle socket	pc.
8	2	195042	Drive wheel adapter set, lt/rt, heavy duty, with axle socket	set
9	2	470038	Guide bushing, locking pin, legrest	pc.
10	1	402076	Socket, sideguard, left	pc.
11	1	402075	Socket, sideguard, right	pc.

CANEO_XL



Wheelchair, foldable heavy duty

Assembly	Product name	Item no.	Version
Wheel fork	CANEO_XL 170 kg	151161 151162 151163 151164	V 2.4
	CANEO_XL 200 kg	151056 151060 151156 151160	2024-02



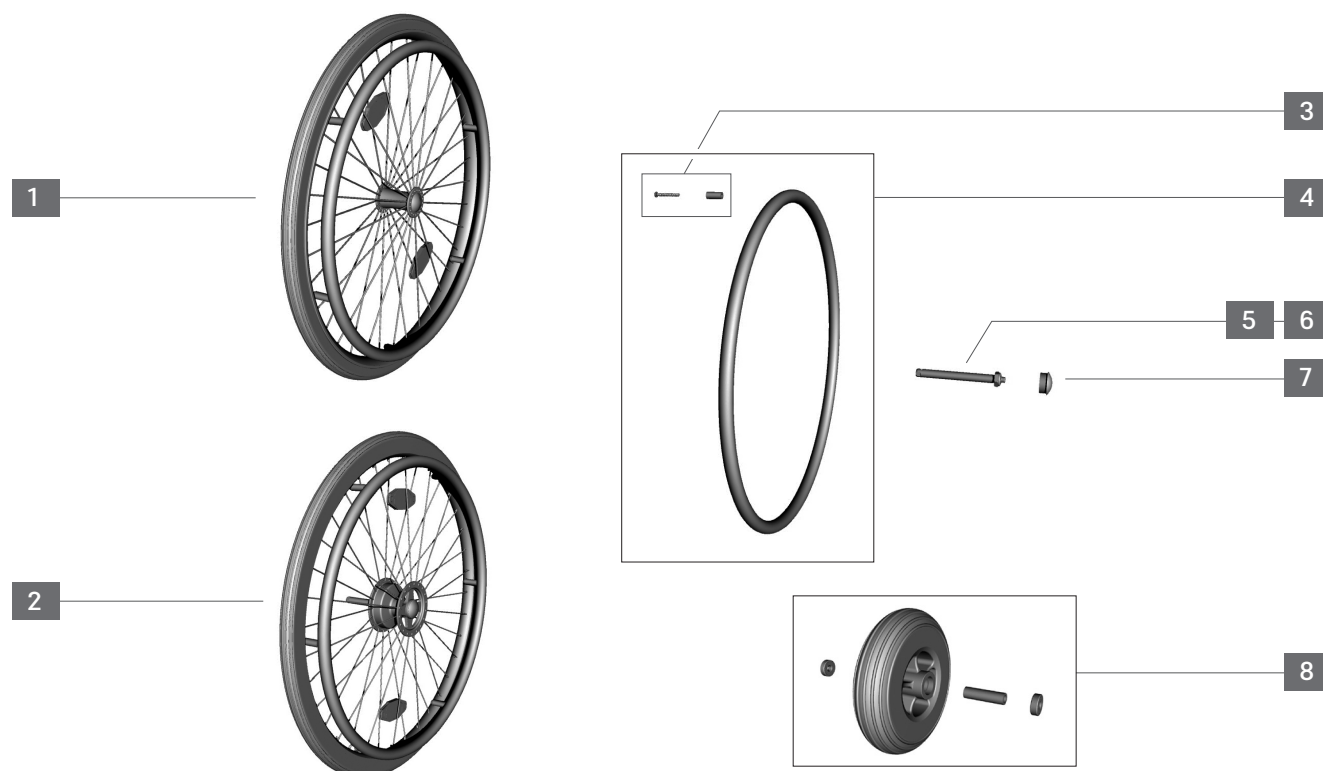
Position	QTY./assembly	Item no.	Description	QTY. supply
1	2	195035	Wheel fork w/o bearing incl. axle set	pc.

CANEO_XL



Wheelchair, foldable heavy duty

Assembly	Product name	Item no.	Version
Wheels	CANEO_XL 170 kg	151161 151162 151163 151164	V 2.4
	CANEO_XL 200 kg	151056 151060 151156 151160	2024-02



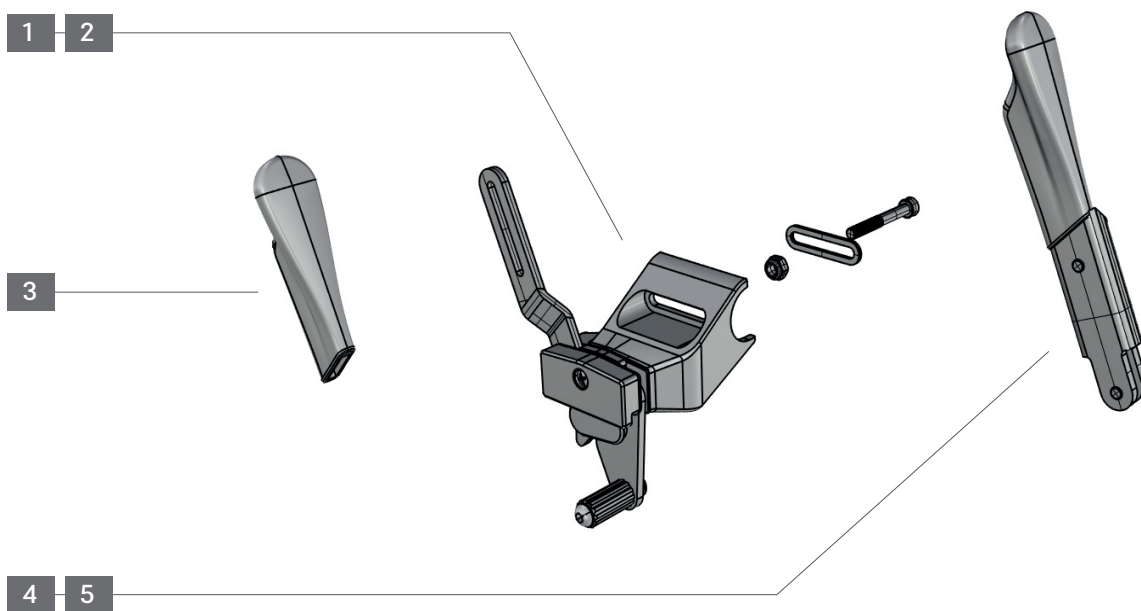
Position	QTY./assembly	Item no.	Description	QTY. supply
1	2	195020	Wheel, 24", HD, alu, PU block tread, grey, rim black, hub/push rim silver	pc.
2	2	195021	Wheel, 24",hub DB,HD, alu, PU block tread, grey, rim/hub black, push rim silver	pc.
3	2	400699	Push rim alu set cpl., drive wheel 24"	pc.
4	2	410903	Spacer 25 mm with screw , push rim, drive wheel 22" + 24"	pc.
5	2	402210	Quick release axle, OD 12 mm, length 103 mm, hub standard	pc.
6	2	402216	Quick release axle, OD 12 mm, length 121 mm, hub drum brake	pc.
7	2	400035	Cover cap, wheel axle 24" and cover cap, castor socket sleeve	pc.
8	2	470035	Wheel, 7", PU groove tread, grey, rim black one-piece	
w/o fig.	2	400695	Quick release axle, OD 12 mm, length 121 mm, hub drum brake	pc.
w/o fig.	2	400696	Quick release axle, OD 12 mm, length 103 mm, hub standard	pc.
w/o fig.	2	402206	Cover cap, wheel axle 24" and cover cap, castor socket sleeve	pc.

CANEO_XL



Wheelchair, foldable heavy duty

Assembly	Product name	Item no.	Version
Park brake	CANEO_XL 170 kg	151161 151162 151163 151164	V 2.4
	CANEO_XL 200 kg	151056 151060 151156 151160	2024-02



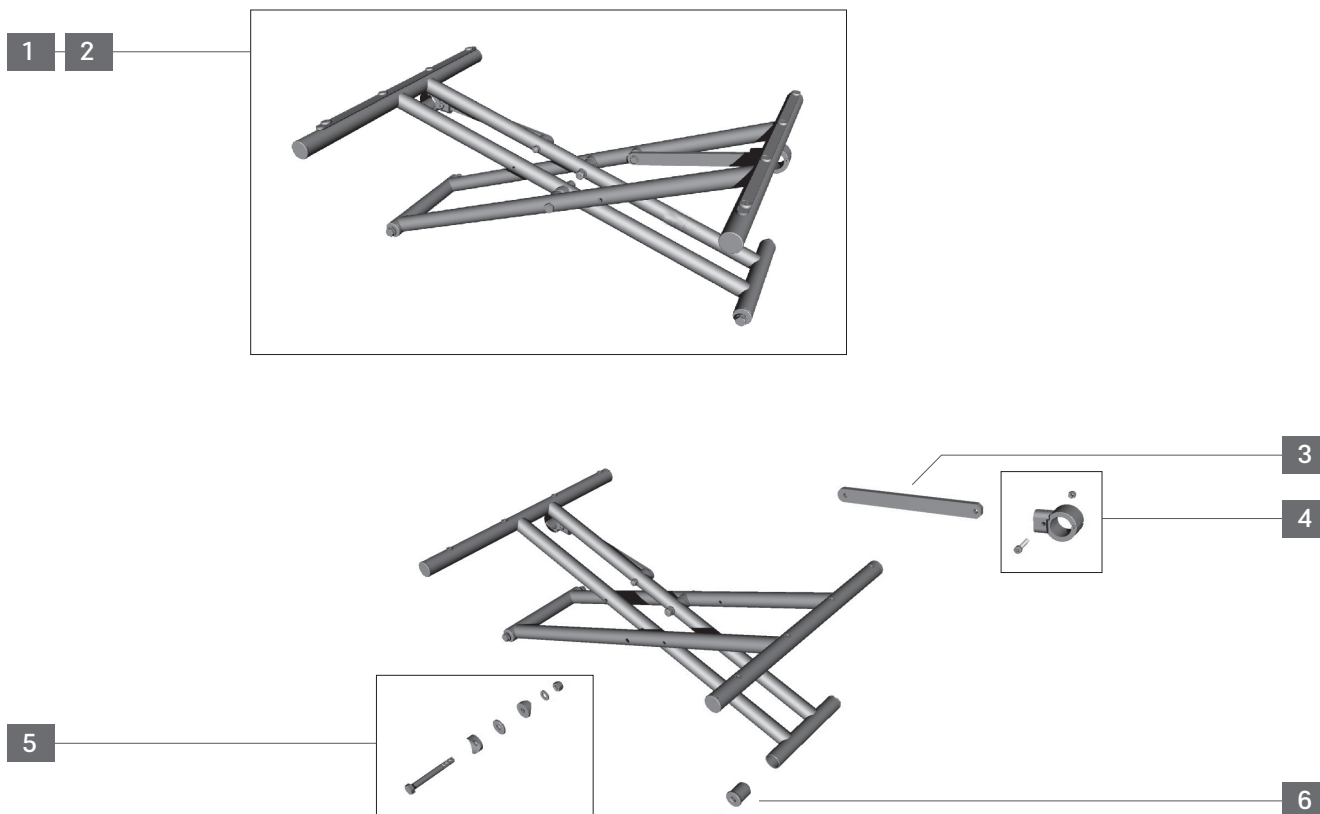
Position	QTY./assembly	Item no.	Description	QTY. supply
1	1	f113l	Park brake set cpl., left	pc.
2	1	f113r	Park brake set cpl., right	pc.
3	2	190610	Grip, park brake, left/right	pc.
4	1	198086	Lever extension, park brake, right mounted	pc.
5	1	198085	Lever extension, park brake, left mounted	pc.
w/o fig.	1	190029	Park brake one-hand drive, left	pc.
w/o fig.	1	190030	Park brake one-hand drive, right	pc.
w/o fig.	2	190035	Brake cable set, one hand brakesystem (set = 2 pc.)	set

CANEO_XL



Wheelchair, foldable heavy duty

Assembly	Product name	Item no.	Version
Crossbrace	CANEO_XL 170 kg	151161 151162 151163 151164	V 2.4
	CANEO_XL 200 kg	151056 151060 151156 151160	2024-02



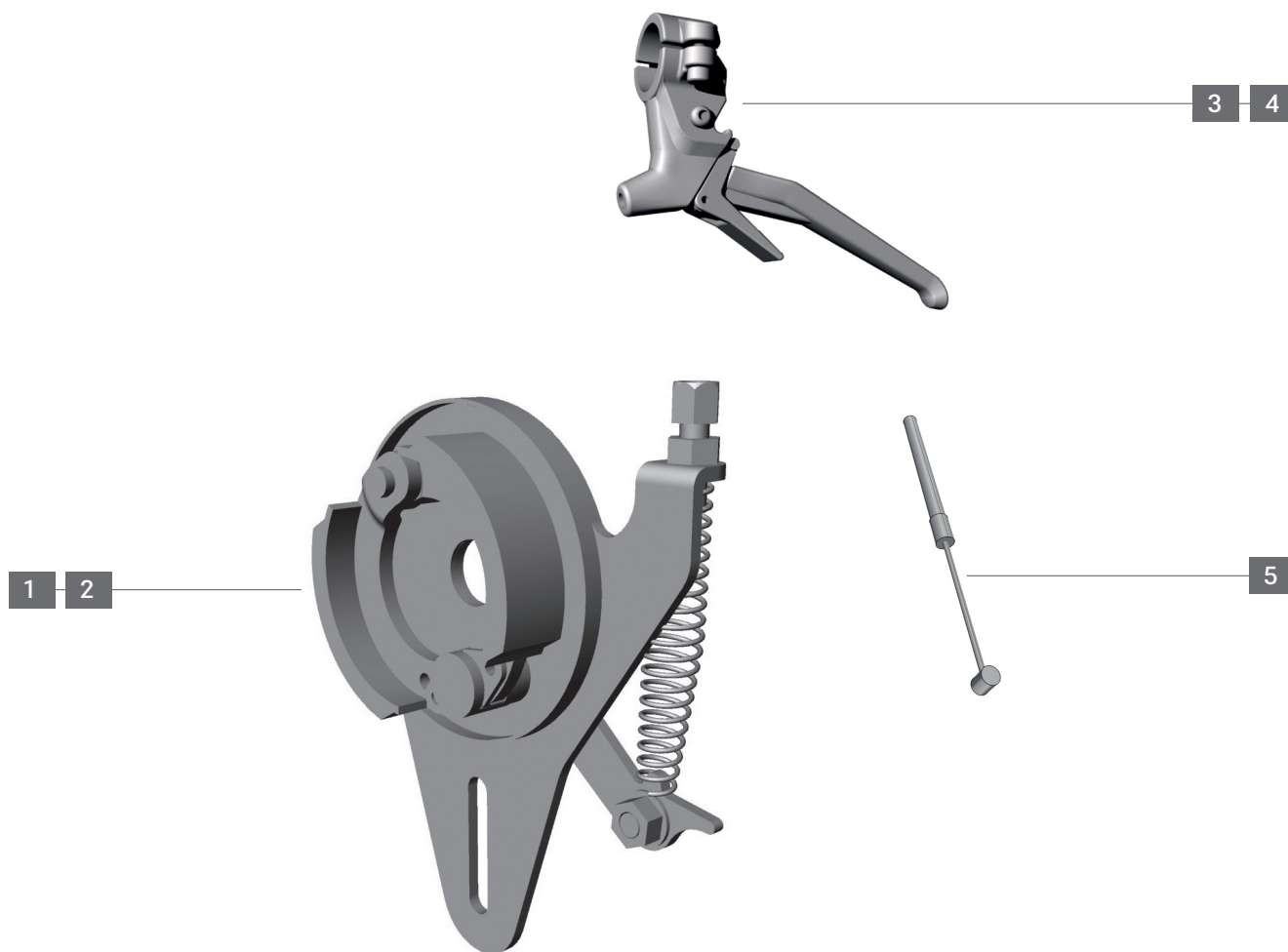
Position	QTY./assembly	Item no.	Description	QTY. supply
1	1	195036	crossbrace set cpl., SW 56 cm	pc.
2	1	195037	crossbrace set cpl., SW 60 cm	pc.
3	2	195027	Mounting rail, crossbrace	set
4	2	400089	Fixing clamp, crossbrace	pc.
5	2	400091	Axle-screw set , crossbrace, SW 48-51 cm	pc.
6	2	400115	Threaded sleeve, crossbrace	pc.

CANEO_XL



Wheelchair, foldable heavy duty

Assembly	Product name	Item no.	Version
Drum brake	CANEO_XL 170 kg	151161 151162 151163 151164	V 2.4
	CANEO_XL 200 kg	151056 151060 151156 151160	2024-02



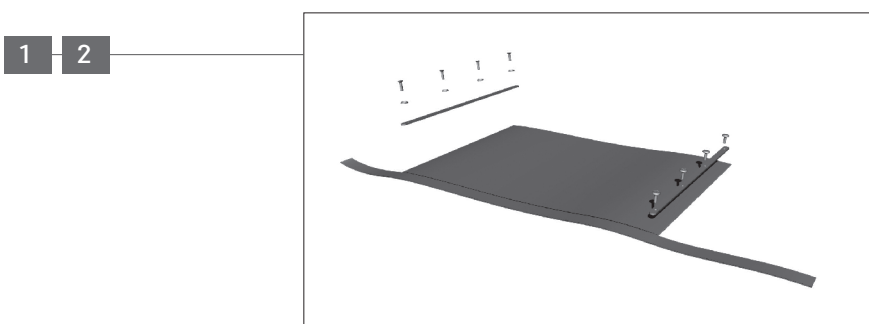
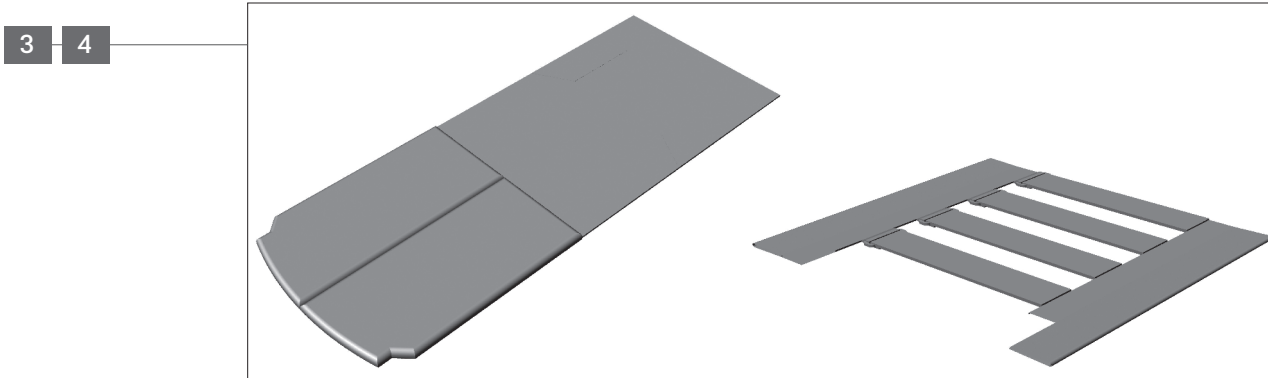
Position	QTY./assembly	Item no.	Description	QTY. supply
1	1	460035	Brake bracket, left, drive wheel 24"	pc.
2	1	460034	Brake bracket, right, drive wheel 24"	pc.
3	1	190048	Brake lever w/ locking action, right	pc.
4	1	190049	Brake lever w/ locking action, left	pc.
5	2	400272	Brake cable set complete, black	pc.

CANEO_XL



Wheelchair, foldable heavy duty

Assembly	Product name	Item no.	Version
Seat / back	CANEO_XL 170 kg	151161 151162 151163 151164	V 2.4
	CANEO_XL 200 kg	151056 151060 151156 151160	2024-02



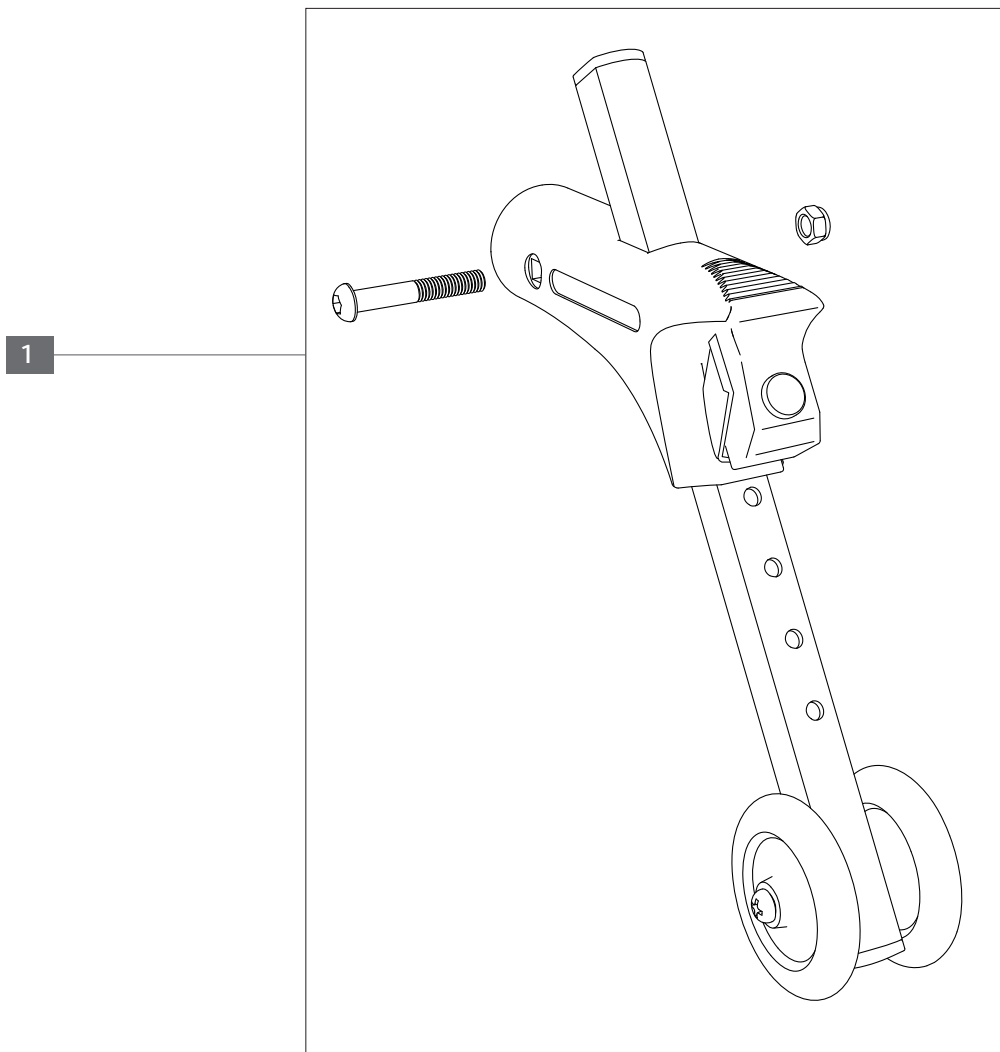
Position	QTY./assembly	Item no.	Description	QTY. supply
1	1	195039	Seat upholstery, SW 56 cm, heavy duty	pc.
2	1	195038	Seat upholstery, SW 60 cm, heavy duty	pc.
3	1	195040	Back upholstery adjustable SW 56cm complete	pc.
4	1	195041	Back upholstery adjustable SW 60cm complete	pc.

CANEO_XL



Wheelchair, foldable heavy duty

Assembly	Product name	Item no.	Version
Anti tip wheel	CANEO_XL 170 kg	151161 151162 151163 151164	V 2.4
	CANEO_XL 200 kg	151056 151060 151156 151160	2024-02



Position	QTY./assembly	Item no.	Description	QTY. supply
1	2	196206	Anti-tip wheel, left/right	pc.

CANEO_XL



Wheelchair, foldable heavy duty

Assembly	Product name	Item no.	Version
Activity tray	CANEO_XL 170 kg	151161 151162 151163 151164	V 2.4
	CANEO_XL 200 kg	151056 151060 151156 151160	2024-02

Position	QTY./assembly	Item no.	Description	QTY. supply
w/o fig.	1	402299	Activity tray, SW 56 cm, width adjustable 59-69,5 cm	pc.
w/o fig.	1	195046	Activity tray, SW 60 cm, width adjustable 70-80 cm	pc.
w/o fig.	1	190039	Activity tray half size, foldable down, right/left mounted	pc.

CANEO_XL



Wheelchair, foldable heavy duty

Assembly	Product name	Item no.	Version
Power node system	CANEO_XL 170 kg	151161 151162 151163 151164	V 2.4
	CANEO_XL 200 kg	151056 151060 151156 151160	2024-02



Position	QTY./assembly	Item no.	Description	QTY. supply
1	1	195009	Power node system, wheelchair with long belt	set
2	1	195004	Lap belt long , all power node systems	pc.

CANEO_XL



Wheelchair, foldable heavy duty

Assembly	Product name	Item no.	Version
Walking stick holder	CANEO_XL 170 kg	151161 151162 151163 151164	V 2.4
	CANEO_XL 200 kg	151056 151060 151156 151160	2024-02



Position	QTY./assembly	Item no.	Description	QTY. supply
1	1	402243	Walking stick holder set complete, 25 mm cane	pc.

CANEO_XL



Wheelchair, foldable heavy duty

Assembly	Product name	Item no.	Version
Folding lock	CANEO_XL 170 kg	151161 151162 151163 151164	V 2.4
	CANEO_XL 200 kg	151056 151060 151156 151160	2024-02



Position	QTY./assembly	Item no.	Description	QTY. supply
1	1	410017	Folding lock, black, SW 39-60 cm	pc.

CANEO_XL



Wheelchair, foldable heavy duty

Assembly	Product name	Item no.	Version
Other	CANEO_XL 170 kg	151161 151162 151163 151164	V 2.4
	CANEO_XL 200 kg	151056 151060 151156 151160	2024-02

Position	QTY./assembly	Item no.	Description	QTY. supply
w/o fig.	1	402101	Lap belt, Press, with metal buckle	pc.
w/o fig.	1	400810	Head rest, complete	pc.
w/o fig.	1	190016	Infusion holder, stainless steel, with two arm holder of plastic	pc.