

**MINKO****DIETZ** Power

Chassis	2
Drivetrain	3
Battery	4
Electrical	5
Light	6
Drive wheel	7
Castor wheel	8
Legrest	9
Legrest	10
Seat and Electrics	11
Armrest	12
Special equipment	13
Index	14



Diets reserves the right for errors and changes without prior notice.  
Figures may deviate from actual parts.

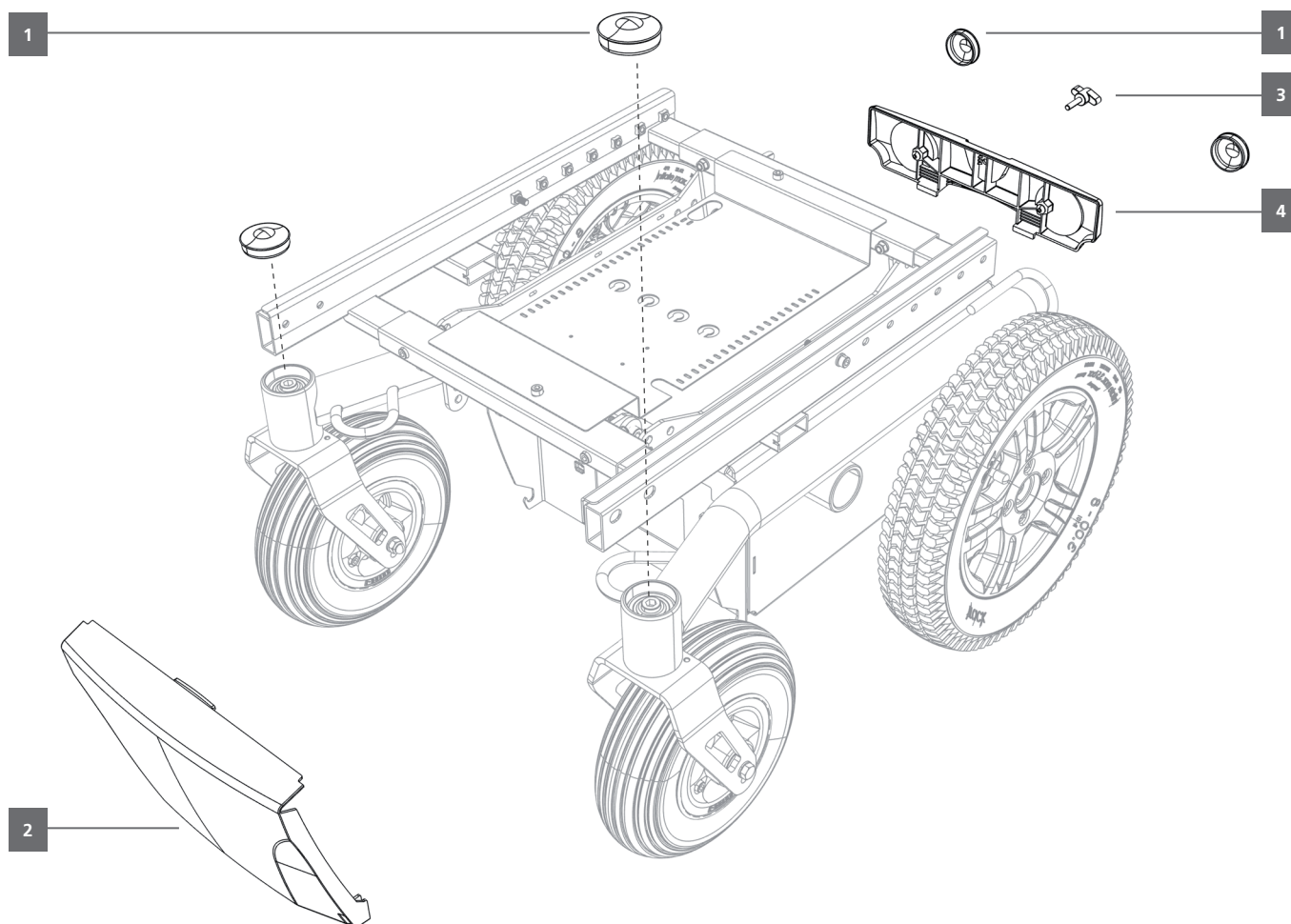
Copyright 2021 by DIETZ GmbH Reha-Produkte  
Karlsbad, 20210906

# Minko

## Standard Power Wheelchair



Assembly	Product name	Product's item number	Version
Chassis	Minko	630000, 630001, 630002 377000, 377001, 377002	09 / 2021 V 2.0.0



Spare parts

### Chassis

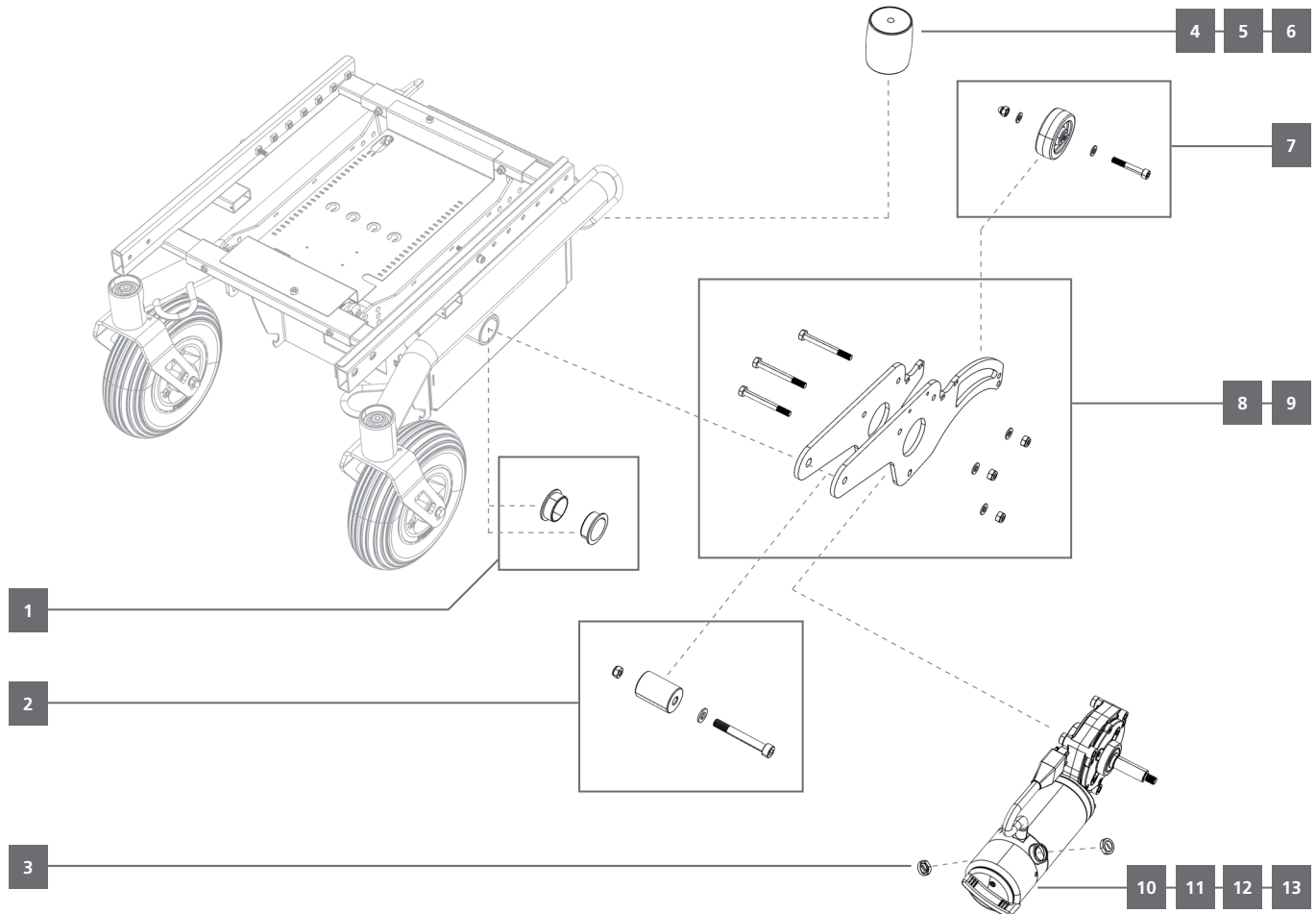
Pos.	Quantity		Item No		Description	QTY supply
	Minko	SW 36 cm	SW 41 cm	SW 46 cm		
1	1		610099		Cover cap chassis, blue, 4 pc.	set
2	1		610096		Controller/power modul lid	pc.
3	1		610098		Wing nut for battery box	pc.
4	1		610097		Cover with grip mold for battery box	pc.

# Minko

## Standard Power Wheelchair



Assembly	Product name	Product's item number	Version
Drivetrain	Minko	630000, 630001, 630002 377000, 377001, 377002	09 / 2021 V 2.0.0



Spare parts

### Drivetrain

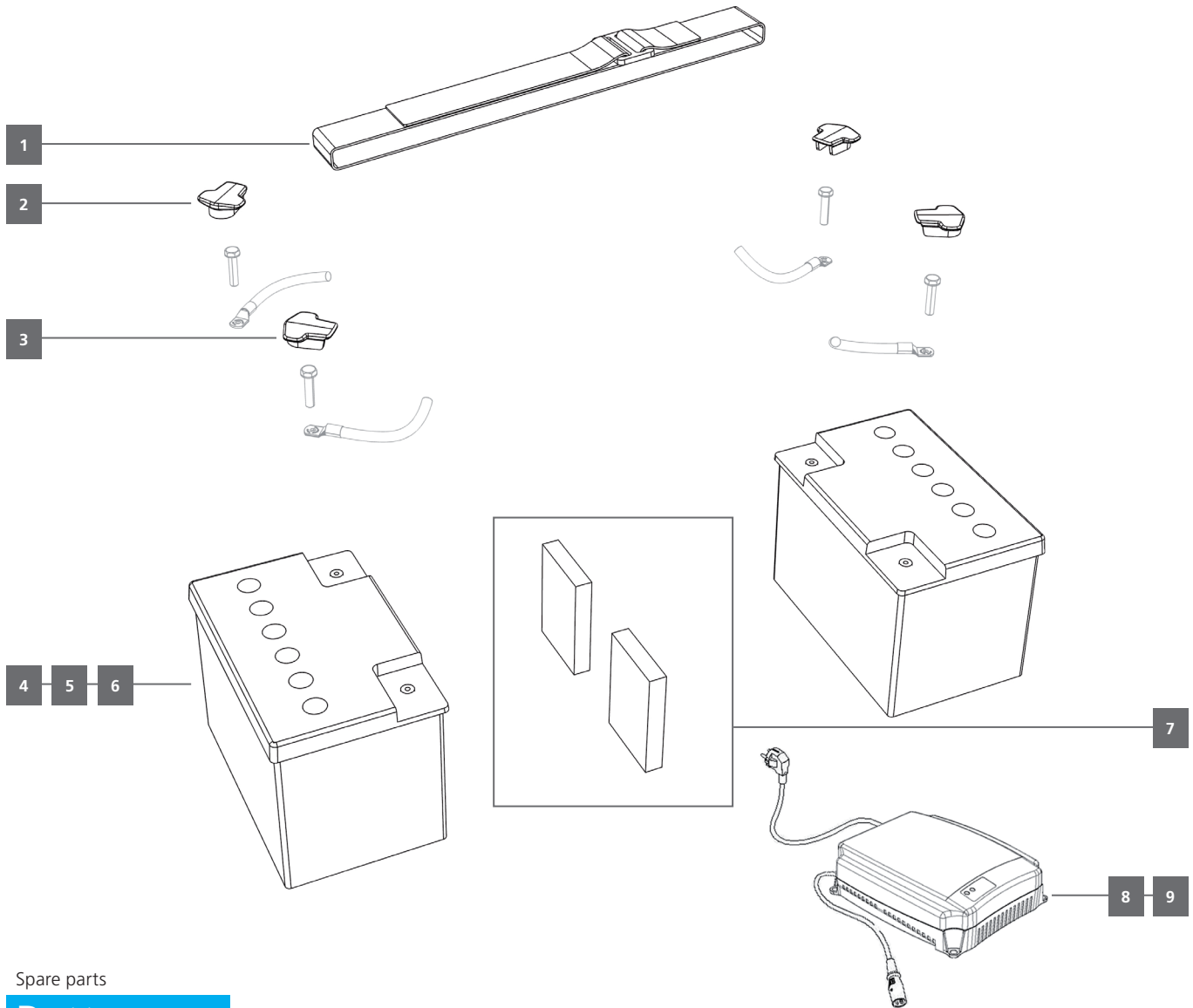
Pos.	Quantity		Item No			Description	QTY supply
	Minko		SW 36 cm	SW 41 cm	SW 46 cm		
1	2			381271		Bearing set for motor arm le./rt.	pair
2	2			610020		inner bushing set for motor arm le./rt., with fasteners	pair
3	4			381187		Motor carbon brush for 2 motors, 4 pc.	set
4	2			610017		Dampers, medium (Standard) with binding elements	pair
5	2			610018		Dampers, soft with binding elements	pair
6	2			610019		Dampers, hard with binding elements	pair
7	2			377212		Anti tipp rolls, 73mm OD, le./rt.	pc.
8	2			610021		Motor arm 9 inch castor wheels, with binding elements, le./rt.	pair
9	2			610022		Motor arm 10 inch castor wheels, with binding elements, le./rt.	pair
10	1			610010		Drivetrain 6 km/h, complete assembly, le.	pc.
11	1			610011		Drivetrain 6 km/h, complete assembly, rt.	pc.
12	1			610012		Drivetrain 10 km/h, complete assembly, le.	pc.
13	1			610013		Drivetrain 10 km/h, complete assembly, rt.	pc.

# Minko

## Standard Power Wheelchair



Assembly	Product name	Product's item number	Version
Battery	Minko	630000, 630001, 630002 377000, 377001, 377002	09 / 2021 V 2.0.0



Spare parts

### Battery

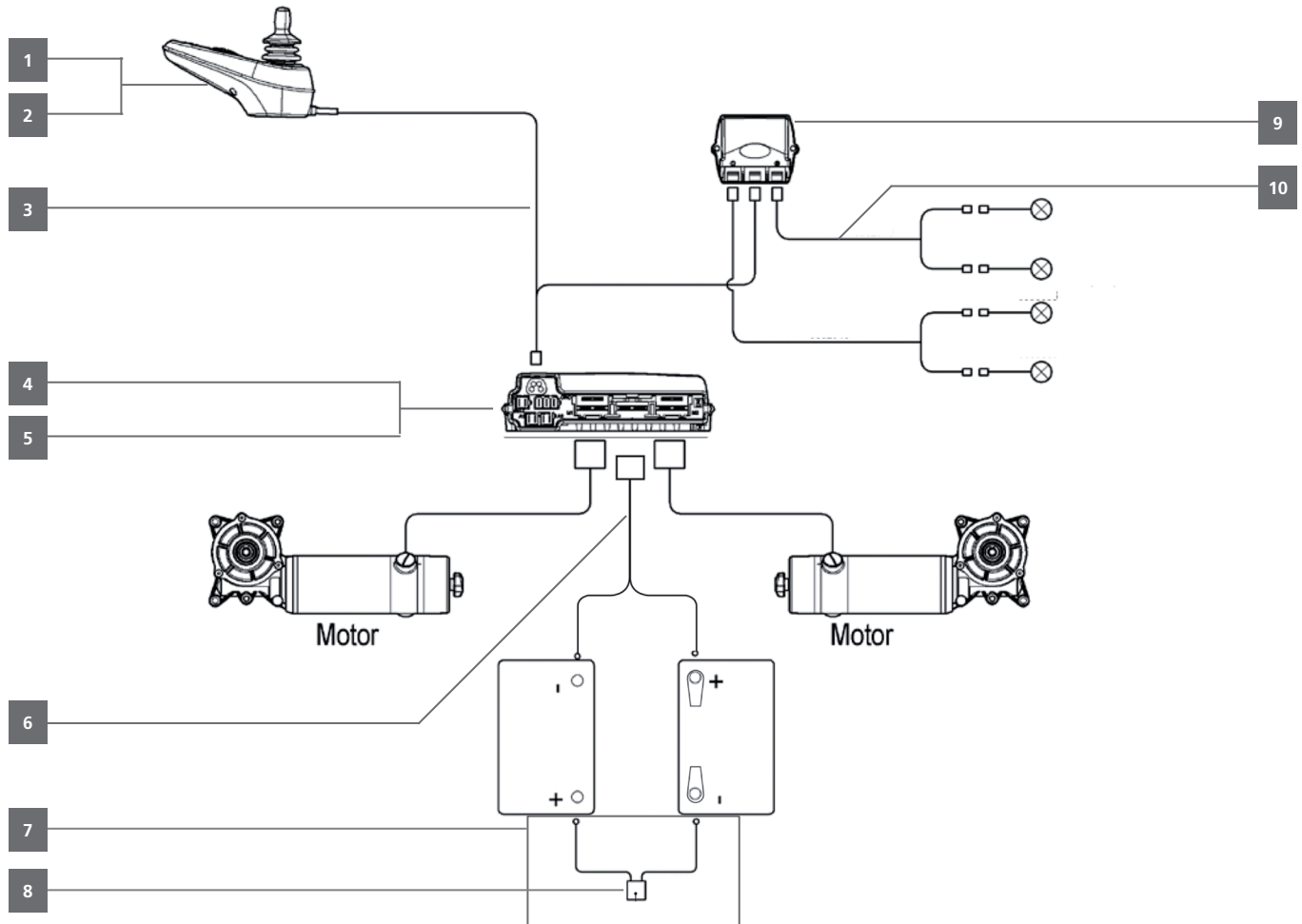
Pos.	Quantity		Item No		Description	QTY supply
	Minko	SW 36 cm	SW 41 cm	SW 46 cm		
1	1			381532	Battery strap	pc.
2	2			610042	Battery pole cap, red (+)	pc.
3	2			610043	Battery pole cap, black (-)	pc.
4	2			386012	Battery, 12V/45Ah (C20), AGM, High Line	pc.
5	2			386013	Battery, 12V/50Ah (C20), AGM, High Line	pc.
6	2			386003	Battery, 12V/60Ah (C20), GEL, High-Line	pc.
7	2			610040	Battery spacer cushion	pair
8	1			398107	Battery charger 24Vdc/6A, EU connector	pc.
9	1			397912	Battery charger 24Vdc/8A, EU connector	pc.

# Minko

## Standard Power Wheelchair



Assembly	Product name	Product's item number	Version
Electrics	Minko	630000, 630001, 630002 377000, 377001, 377002	09 / 2021 V 2.0.0



Spare parts

## Electrics

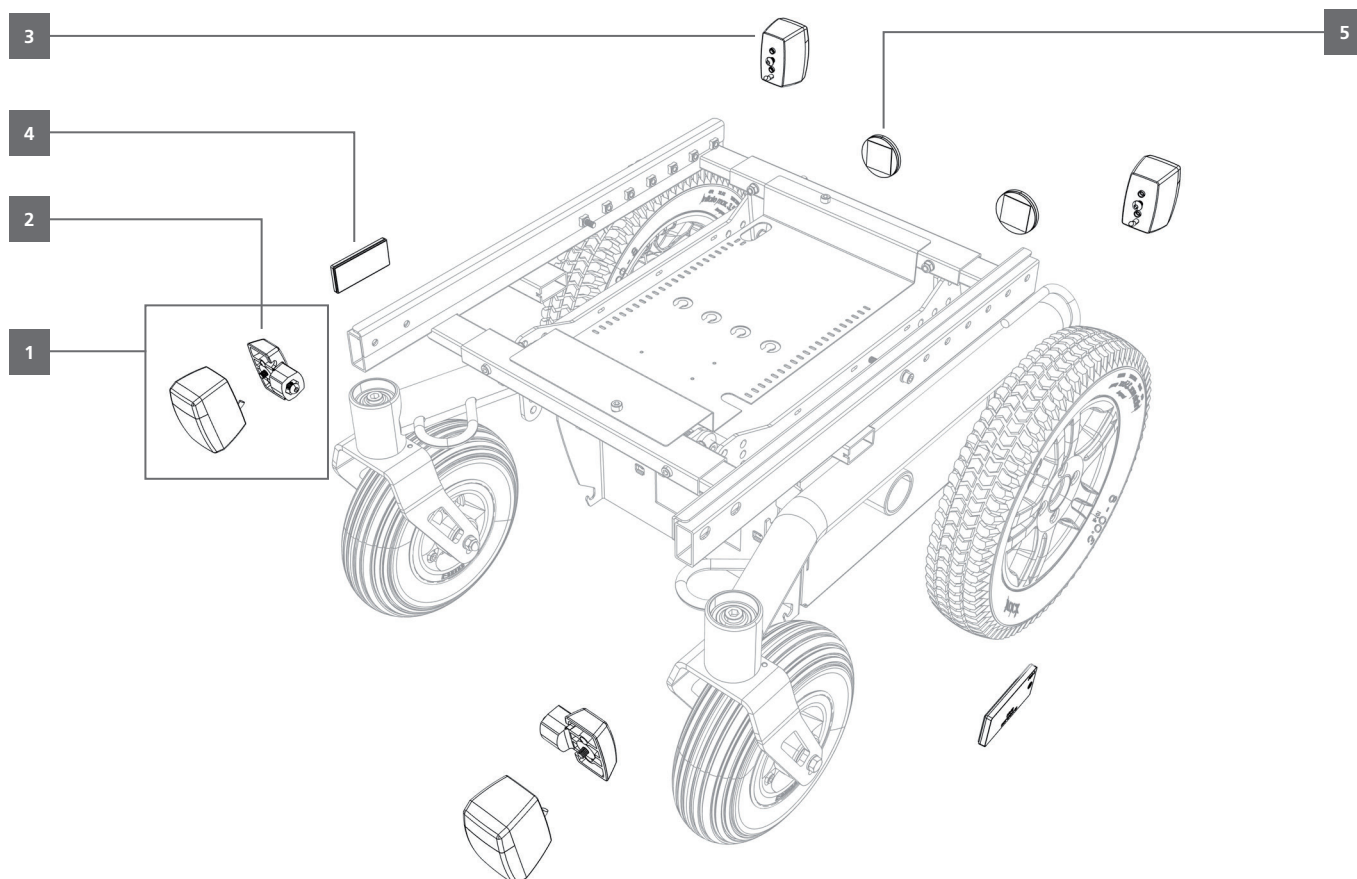
Pos.	Quantity		Item No	Description	QTY supply
	Minko	SW 36 cm			
1	1		397061	VR2 Joystick lights (VR2-JSM-L)	pc.
2	1		397060	VR2 joystick lights & 2 actuators > for electrical options	pc.
3	1		610061	Extension cable 0.5m > for electrical options	pc.
4	1		385236	VR2 controller 70A, no actuators	pc.
5	1		397069	VR2 controller 70A, 2 actuators > for electrical options	pc.
6	1		385214	Battery cable to power modul VR2	pc.
7	1		385237	Fuse-kit (fuse, cable, bracket)	pc.
8	1		610062	Fuse 70A	pc.
9	1		610063	Lighting modul VR2	pc.
10	1		385215	Cable for lighting modul	pc.

# Minko

## Standard Power Wheelchair



Assembly	Product name	Product's item number	Version
Light	Minko	630000, 630001, 630002 377000, 377001, 377002	09 / 2021 V 2.0.0



Spare parts

## Light

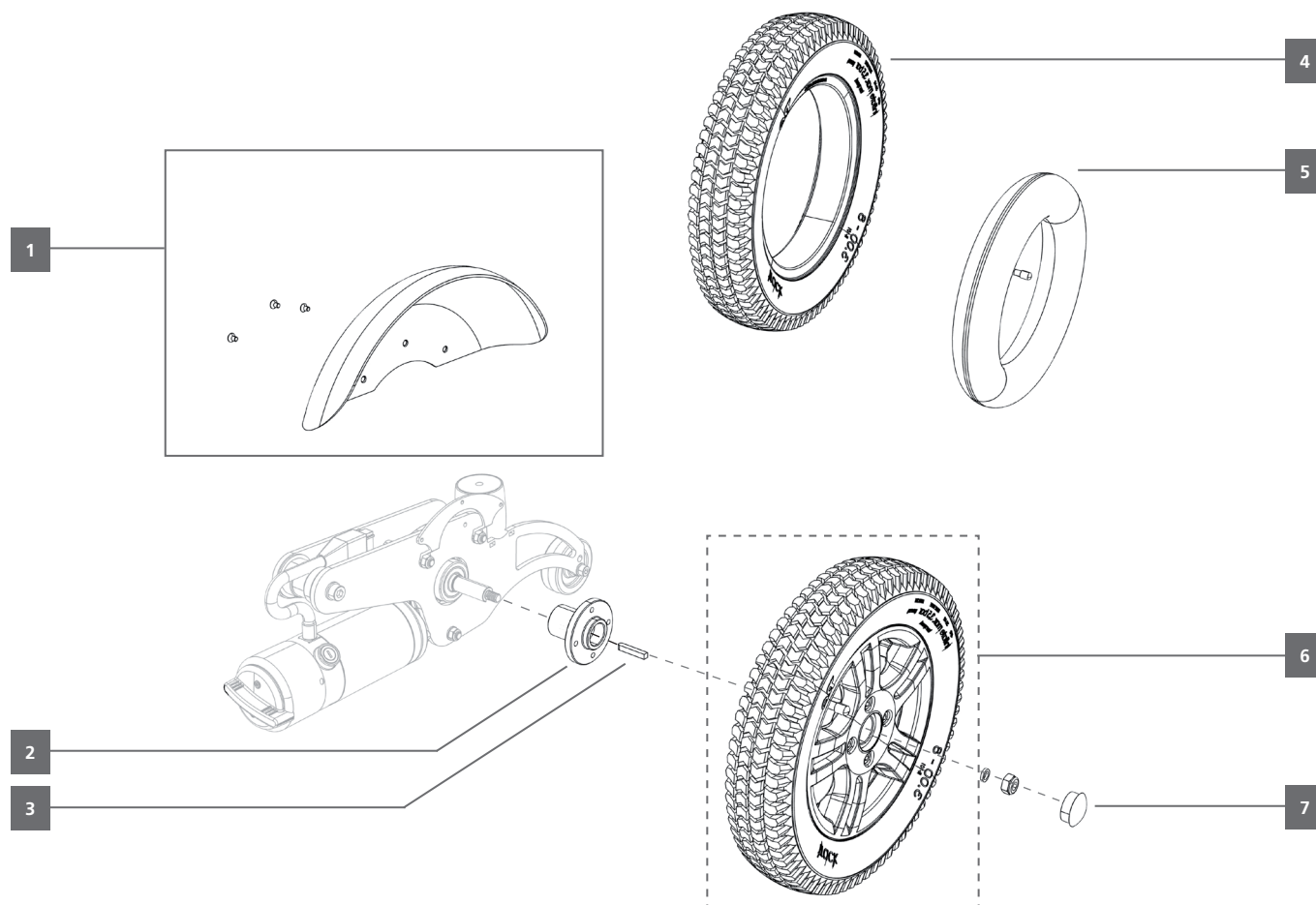
Pos.	Quantity		Item No			Description	QTY supply
	Minko	SW 36 cm	SW 41 cm	SW 46 cm			
1	1		610014			LED front beam, clear lens, with integrated blinker, le./rt.	pc.
2	2		610016			Rubber bracket for front light, le./rt.	pc.
3	1		610015			LED rear light, red, with integrated blinker, le./rt.	pc.
4	2		382839			Reflector for side, amber le./rt.	pair
5	2		382840			Reflector for rear, amber le./rt.	pair

# Minko

## Standard Power Wheelchair



Assembly	Product name	Product's item number	Version
Drive wheel	Minko	630000, 630001, 630002 377000, 377001, 377002	09 / 2021 V 2.0.0



Spare parts

## Drive wheel

Pos.	Quantity		Item No		Description	QTY supply
	Minko	SW 36 cm	SW 41 cm	SW 46 cm		
1	2		610003		Splash guard, rear, le./rt.	pc.
2	2		610030		Wheel hub drive wheels, le./rt.	pc.
3	2		610036		Fitting key for drive wheel, le./rt.	pc.
4	2		633137		Tyre 14" air, grey, le./rt.	pc.
5	2		633150		Inner tube, 14" drive wheel, air, le./rt.	pc.
6	2		633146		Drive wheel 14", PU, rim anthracite, tyre grey, le./rt.*	pc.
7	2		610031		Center cap, le./rt.	pc.

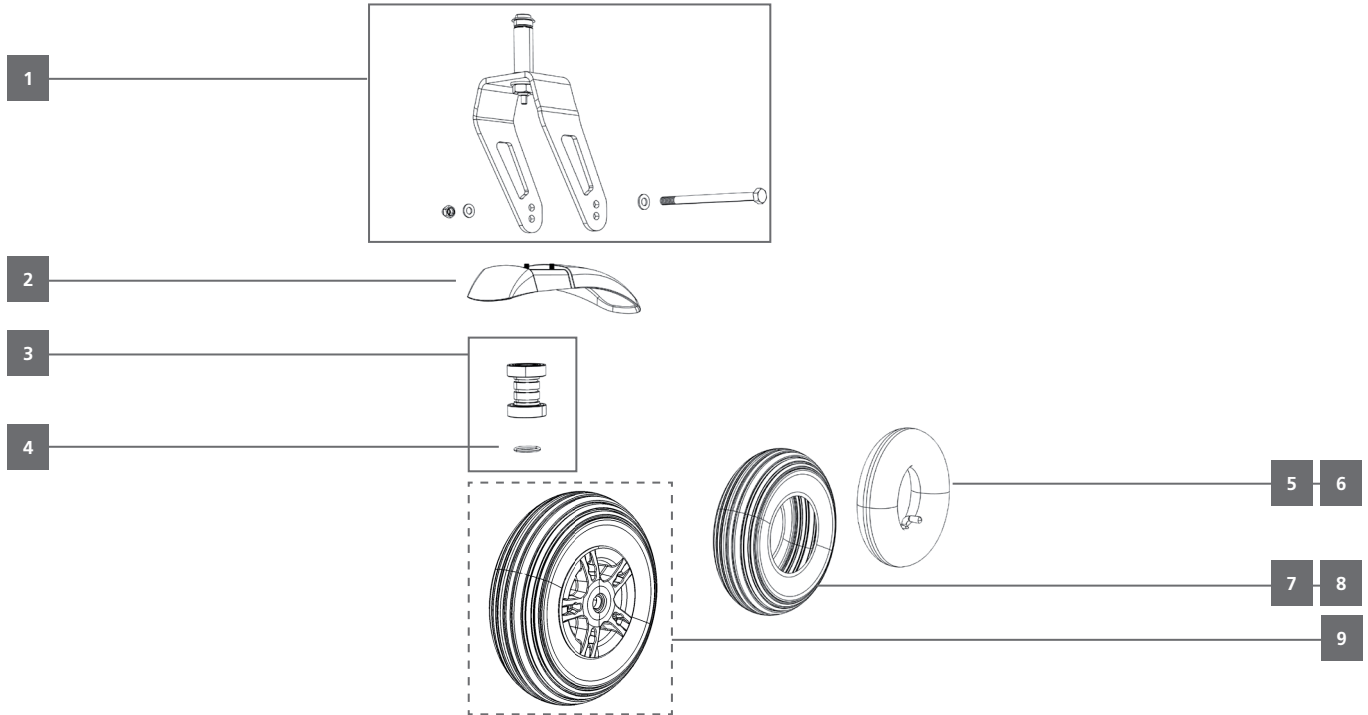
\*) from SN M90000YYY

# Minko

## Standard Power Wheelchair



Assembly	Product name	Product's item number	Version
Castor wheel	Minko	630000, 630001, 630002 377000, 377001, 377002	09 / 2021 V 2.0.0



Spare parts

### Castor wheel

Pos.	Quantity			Description	QTY supply
	Minko	SW 36 cm	SW 41 cm		
1	2		610032	Castor fork, le./rt.	pc.
2	2		610033	Splash guard front, le./rt.	pc.
3	2		610034	Castor bearing with castor damper, le./rt.	pc.
4	2		610035	Castor damper O-ring, le./rt.	pc.
5	2		633129	Tube 9", car valve, le./rt.	pc.
6	2		633130	Tube 10", car valve, le./rt.	pc.
7	2		633113	Tire 9", puncture protection, grey, le./rt.	pc.
8	2		633115	Tire 10", puncture protection, grey, le./rt.	pc.
9	2		633124	Wheel 9" complete, PU, rim anthrazite, tire grey, le./rt.	pc.

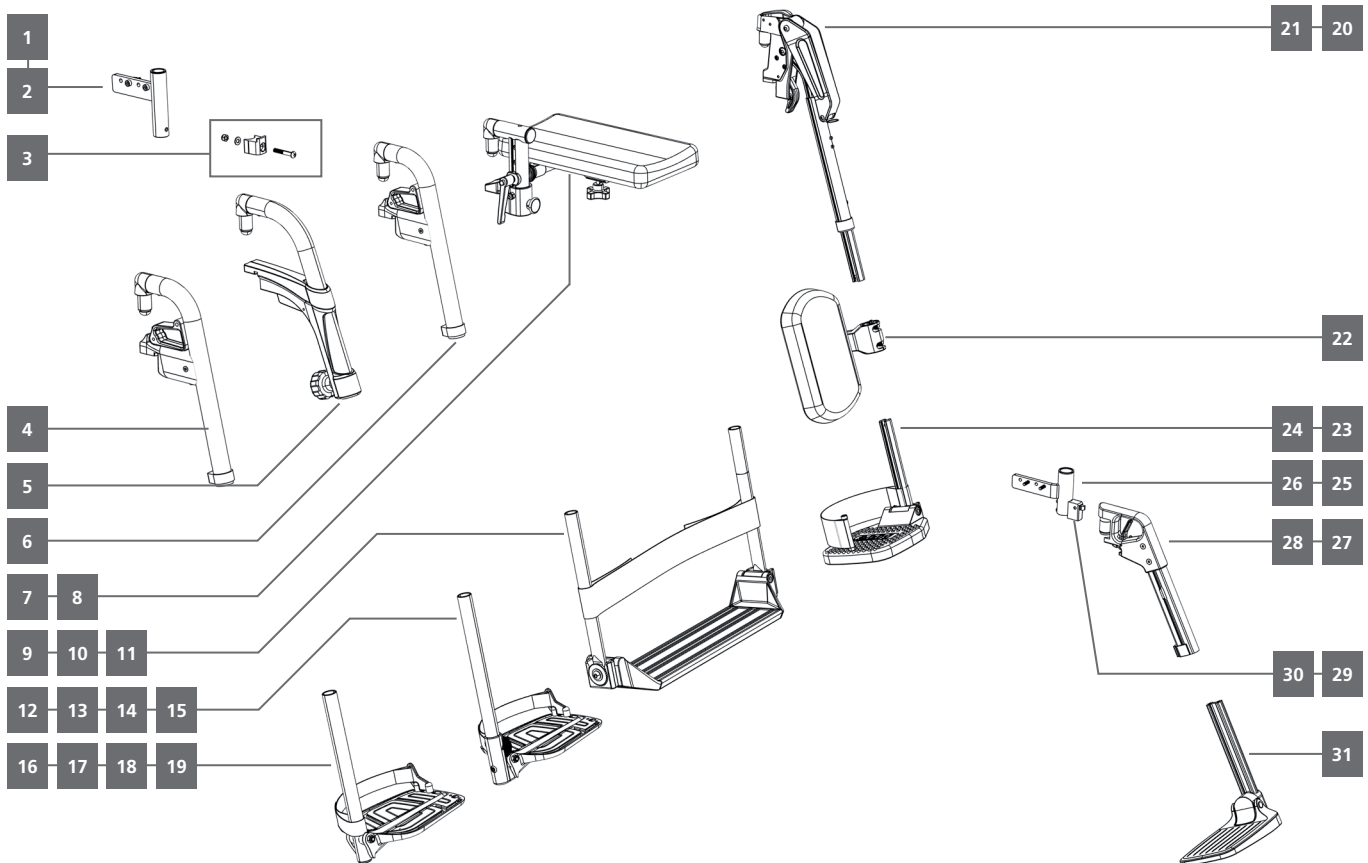


# Minko

## Standard Power Wheelchair



Assembly	Product name	Product's item number	Version
Legrest	Minko	630000, 630001, 630002 377000, 377001, 377002	09 / 2021 V 2.0.0



Spare parts

### Legrest

Pos.	Quantity		Item No			Description	QTY supply
	Minko		SW 36 cm	SW 41 cm	SW 46 cm		
1	1			610065		Legrest bracket standard, 80°, le.	pc.
2	1			610066		Legrest bracket standard, 80°, rt.	pc.
3	2			610067		Legrest lock, le./rt.	pc.
4	2			610068		Legrest upper part 80°, standard, le./rt.	pc.
5	2			610069		Legrest upper part 70°, le./rt.	pc.
6	2			610070		Legrest upper part 90°, le./rt.	pc.
7	1			610086		Amputation support, complete, le.	pc.
8	1			610087		Amputation support, complete, rt.	pc.
9	1		383101			Foot board, SW 36 cm	pc.
10	1			383102		Foot board, SW 41 cm	pc.
11	1				383103	Foot board, SW 46 cm	pc.
12	1		610075			Legrest lower part, angle adjustable, le., SW 36 cm	pc.
13	1		610076			Legrest lower part, angle adjustable, rt., SW 36 cm	pc.

Please see next page for continuity!

# Minko

## Standard Power Wheelchair



Assembly	Product name	Product's item number	Version
Legrest	Minko	630000, 630001, 630002 377000, 377001, 377002	09 / 2021 V 2.0.0

Please refer to drawing on page 9!

Spare parts

## Legrest

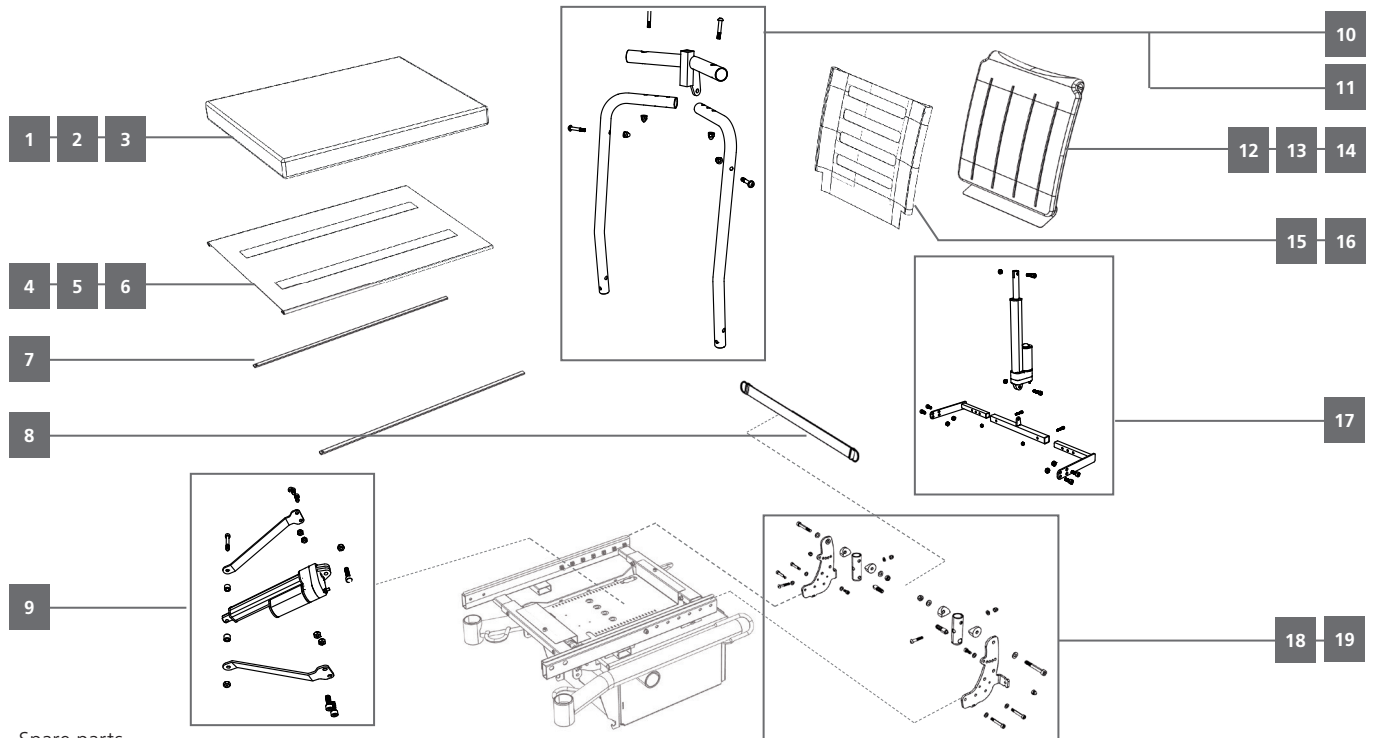
Pos.	Quantity		Item No		Description	QTY supply
	Minko	SW 36 cm	SW 41 cm	SW 46 cm		
14	1			610077	Legrest lower part, angle adjustable, le., SW 41 -46 cm	pc.
15	1			610078	Legrest lower part, angle adjustable, rt., SW 41 - 46 cm	pc.
16	1	610071			Legrest lower part, standard, le., SW 36 cm	pc.
17	1	610072			Legrest lower part, standard, rt., SW 36 cm	pc.
18	1			610073	Legrest lower part, standard, le., SW 41 -46 cm	pc.
19	1			610074	Legrest lower part, standard, rt., SW 41 -46 cm	pc.
20	1			610079	Legrest upper part, angle adjustable, le.	pc.
21	1			610080	Legrest upper part, angle adjustable, rt.	pc.
22	2			610081	Calf support with brackets, le./rt.	set
23	1	610082			Legrest angle adjustable, lower part, le./ rt. , SW 36 cm	pc.
24	1			610083	Legrest angle adjustable, lower part, le./ rt., SW 41 - 46 cm	pc.
25	1			610089	Legrest bracket comfort, le.	pc.
26	1			610090	Legrest bracket comfort, rt.	pc.
27	1			610093	Legrest upper part, comfort, le.	pc.
28	1			610094	Legrest upper part, comfort, rt.	pc.
29	1			610091	Legrest lock, comfort, le.	pc.
30	1			610092	Legrest lock, comfort, rt.	pc.
31	2			610095	Legrest comfort, lower part, le./rt.	pc.

# Minko

## Standard Power Wheelchair



Assembly	Product name	Product's item number	Version
Seat & actuators	Minko	630000, 630001, 630002 377000, 377001, 377002	09 / 2021 V 2.0.0



Spare parts

### Seat & actuators

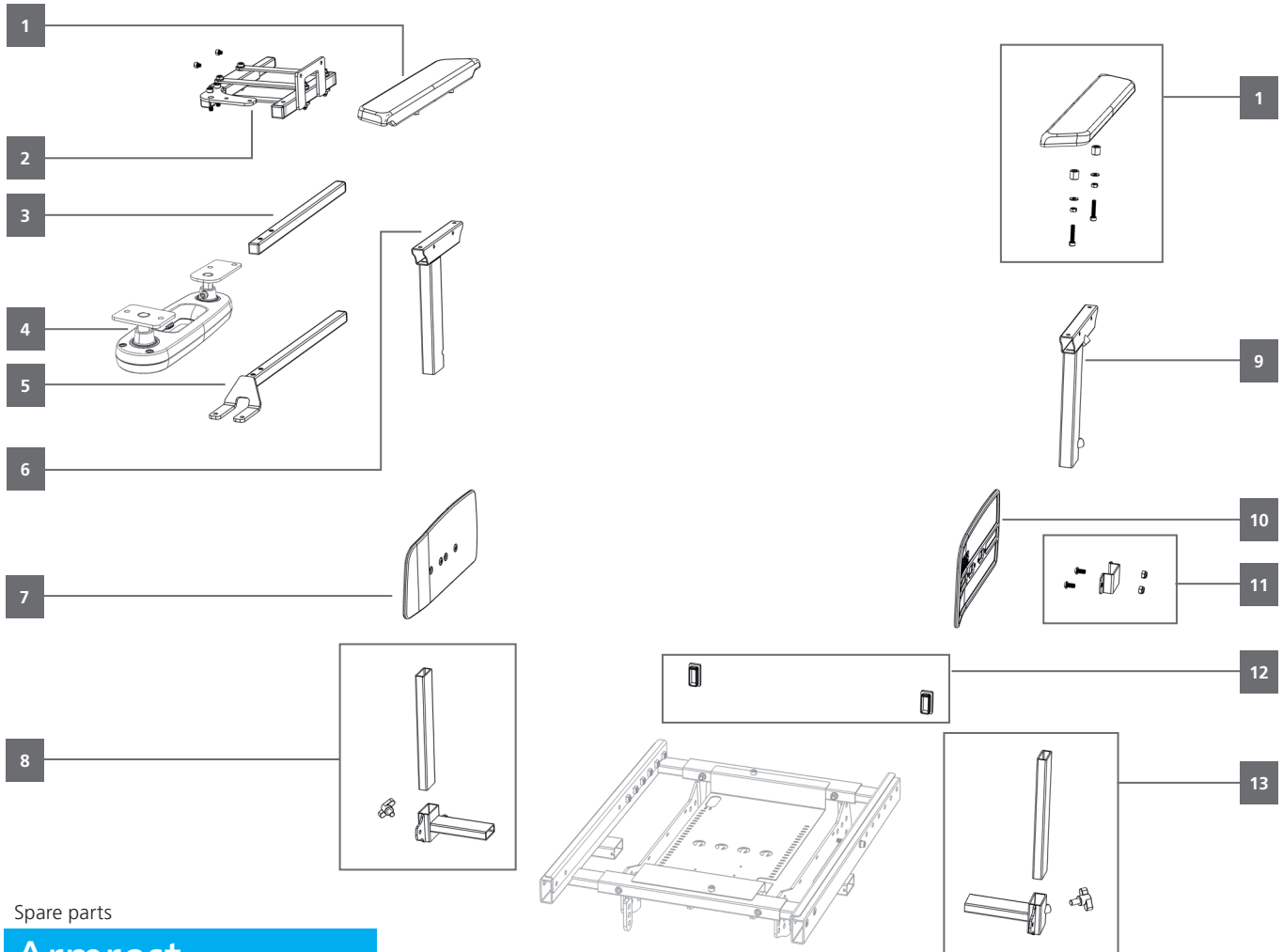
Pos.	Quantity		Item No			Description	QTY supply
	Minko	SW 36 cm	SW 41 cm	SW 46 cm			
1	1	377101				Seat cushion SW 36 cm	pc.
2	1		377105			Seat cushion SW 41 cm	pc.
3	1			377107		Seat cushion SW 46 cm	pc.
4	1	610044				Seat fabric, SW 36 cm	pc.
5	1		610045			Seat fabric, SW 41 cm	pc.
6	1			610046		Seat fabric, SW 46 cm	pc.
7	2		383062			Wedge for seat fabric, all SW	pair
8	1		610049			Strap for back angle adjustment	set
9	1		610114			Actuator set for tilt, incl. cable & plug	set
10	1		610047			Backrest tubular frame, set SW 36 - 46 cm	set
11	1		610110			Backrest tubular frame for electr. options, set SW 36 - 46 cm	set
12	1	383035				Backrest cover fabric, SW 36 cm	pc.
13	1		383036			Backrest cover fabric, SW 41 cm	pc.
14	1			383037		Backrest cover fabric, SW 46 cm	pc.
15	1	383031				Adjustable backrest, SW 36 cm	pc.
16	1		383032			Adjustable backrest, SW 41 or 46 cm	pc.
17	1		610113			Actuator set for backrest angle adjustment, incl. cable & plug	set
18	1		610048			Hinge-set for tubular backrest frame	set
19	1		610111			Hinge-set for tubular backrest frame with electrical options	set

# Minko

## Standard Power Wheelchair



Assembly	Product name	Product's item number	Version
Armrest	Minko	630000, 630001, 630002 377000, 377001, 377002	09 / 2021 V 2.0.0



Spare parts

### Armrest

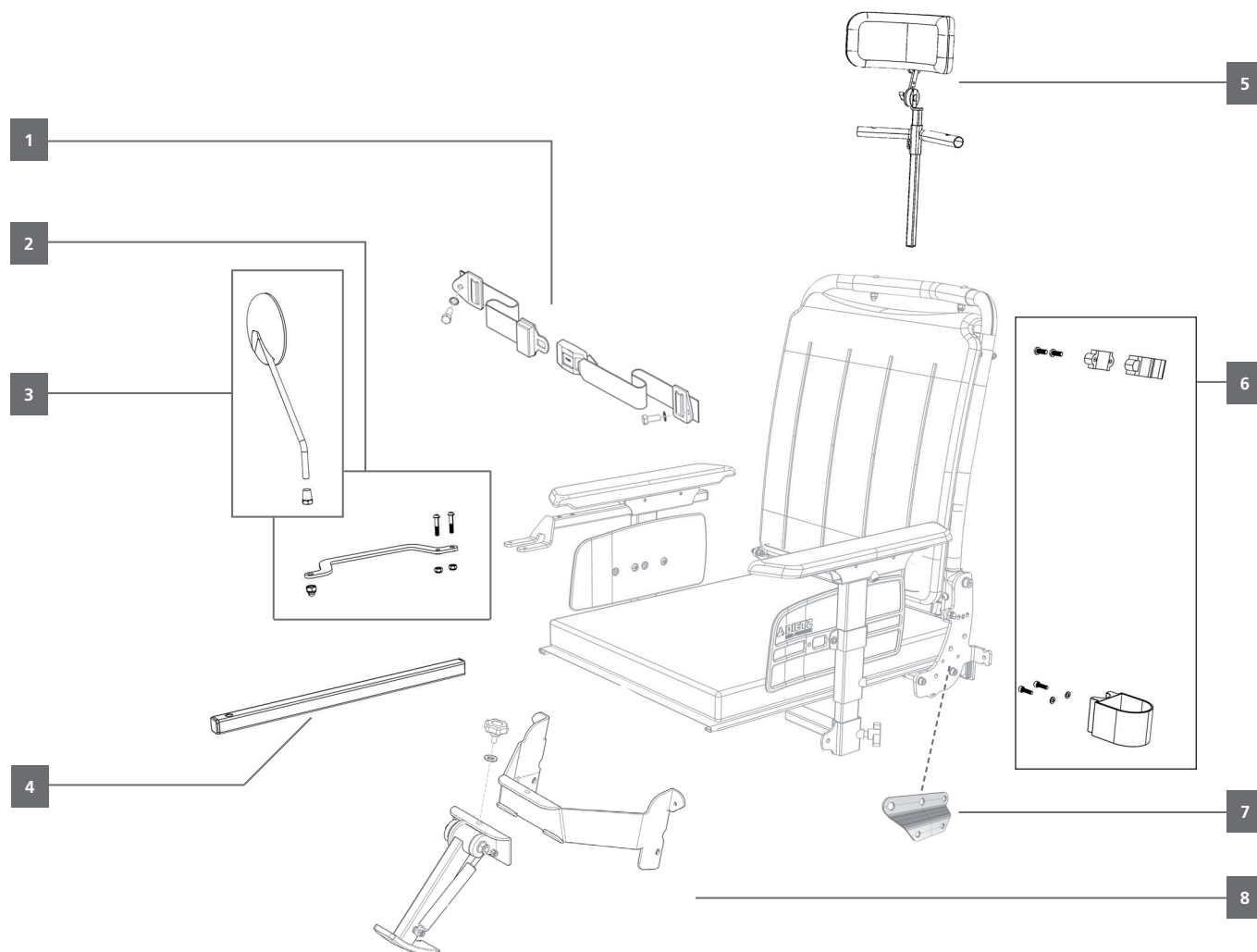
Pos.	Quantity			Description	QTY supply
	Minko	SW 36 cm	SW 41 cm		
1	2		383020	Arm pad, le./rt.	pc.
2	1		610059	Carrier for swing away joystick, le./rt.	set
3	1		610109	Mounting rail for Joysticker holder, comfort	pc.
4	1		610108	Joystick holder, foldaway, comfort, le./rt.	pc.
5	1		610050	Carrier for joystick standard, le./rt.	set
6	2		610058	T-bracket for armrest, rt.	pc.
7	1		610052	Side skirt, rt.	pc.
8	1		610056	Receiver for armrest, rt.	set
9	1		610057	T-bracket for armrest, le.	pc.
10	1		610053	Side skirt, le.	pc.
11	2		610054	Clamp for side skirt, le./rt.	pair
12	2		610051	Cap for seat rail, rear, le./rt.	pair
13	1		610055	Receiver for armrest, le.	set

# Minko

## Standard Power Wheelchair



Assembly	Product name	Product's item number	Version
Special equipment	Minko	630000, 630001, 630002 377000, 377001, 377002	09 / 2021 V 2.0.0



Spare parts

## Special equipment

Pos.	Quantity		Item No		Description	QTY supply
	Minko	SW 36 cm	SW 41 cm	SW 46 cm		
1	1		390108		Hip restraint belt, 70 - 150 cm adjustable	pc.
	1		610117		Hip restraint belt, 70 - 150 cm, for Minko with electrical backrest	pc.
2	1		610101		Lateral rear view mirror carrier, joystick side	pc.
3	1		610103		Lateral rear view mirror, le./rt.	pc.
4	1		610102		Lateral rear view mirror carrier, opposite joystick side	pc.
5	1		610106		Headrest, 3-way, PU pad	set
6	1		322002		Cane holder, le./rt.	pc.
7	1		610112		Cane holder bracket	pc.
8	1		610107		Kerb climber	set

# Minko

## Standard Power Wheelchair



### Index

<b>A</b>		<b>H</b>	
Actuator set for backrest angle adjustment, incl. cable & plug	11	Headrest, 3-way, PU pad	13
Actuator set for tilt, incl. cable & plug	11	Hinge-set for tubular backrest frame	11
Adjustable backrest, SW 36 cm	11	Hinge-set for tubular backrest frame with electrical options	11
Adjustable backrest, SW 41 or 46 cm	11	Hip restraint belt, 70 - 150 cm adjustable	13
Amputation support, complete, le.	9	Hip restraint belt, 70 - 150 cm, for Minko with electrical backrest	13
Amputation support, complete, rt.	9	<b>I</b>	
Anti tipp rolls, 73mm OD, le./rt.	3	Inner bushing set for motor arm le./rt., with fasteners	3
Arm pad, le./rt.	12	Inner tube, 14" drive wheel, air, le./rt.	7
<b>B</b>		<b>J</b>	
Backrest cover fabric, SW 36 cm	11	Joystick holder, foldaway, comfort, le./rt.	12
Backrest cover fabric, SW 41 cm	11	<b>K</b>	
Backrest cover fabric, SW 46 cm	11	Kerb climber	13
Backrest tubular frame for electr. options, set SW 36 - 46 cm	11	<b>L</b>	
Backrest tubular frame, set SW 36 - 46 cm	11	Lateral rear view mirror carrier, joystick side	13
Battery, 12V/45Ah (C20), AGM, High Line	4	Lateral rear view mirror carrier, opposite joystick side	13
Battery, 12V/50Ah (C20), AGM, High Line	4	Lateral rear view mirror, le./rt.	13
Battery, 12V/60Ah (C20), GEL, High-Line	4	LED front beam, clear lens, with integrated blinker, le./rt.	6
Battery cable to power modul VR2	5	LED rear light, red, with integrated blinker, le./rt.	6
Battery charger 24Vdc/6A, EU connector	4	Legrest angle adjustable, lower part, le./rt., SW 36 cm	10
Battery charger 24Vdc/8A, EU connector	4	Legrest angle adjustable, lower part, le./rt., SW 41 - 46 cm	10
Battery pole cap, black (-)	4	Legrest bracket comfort, le.	10
Battery pole cap, red (+)	4	Legrest bracket comfort, rt.	10
Battery spacer cushion	4	Legrest bracket standard, 80°, le.	9
Battery strap	4	Legrest bracket standard, 80°, rt.	9
Bearing set for motor arm le./rt.	3	Legrest comfort, lower part, le./rt.	10
<b>C</b>		Legrest lock, comfort, le.	10
Cable for lighting modul	5	Legrest lock, comfort, rt.	10
Calf support with brackets, le./rt.	10	Legrest lock, le./rt.	9
Cane holder bracket	13	Legrest lower part, angle adjustable, le., SW 36 cm	9
Cane holder, le./rt.	13	Legrest lower part, angle adjustable, le., SW 41 -46 cm	10
Cap for seat rail, rear, le./rt.	12	Legrest lower part, angle adjustable, rt., SW 36 cm	9
Carrier for joystick standard, le./rt.	12	Legrest lower part, angle adjustable, rt., SW 41 - 46 cm	10
Carrier for swing away joystick, le./rt.	12	Legrest lower part, standard, le., SW 36 cm	10
Castor bearing with castor damper, le./rt.	8	Legrest lower part, standard, le., SW 41 -46 cm	10
Castor damper O-ring, le./rt.	8	Legrest lower part, standard, rt., SW 36 cm	10
Castor fork, le./rt.	8	Legrest lower part, standard, rt., SW 41 -46 cm	10
Center cap, le./rt.	7	Legrest upper part 70°, le./rt.	9
Clamp for side skirt, le./rt.	12	Legrest upper part 80°, standard, le./rt.	9
Controller/power modul lid	2	Legrest upper part 90°, le./rt.	9
Cover cap chassis, blue, 4 pc.	2	Legrest upper part, angle adjustable, le.	10
Cover with grip mold for battery box	2	Legrest upper part, angle adjustable, rt.	10
<b>D</b>		Legrest upper part, comfort, le.	10
Dampers, hard with binding elements	3	Legrest upper part, comfort, rt.	10
Dampers, medium (Standard) with binding elements	3	Lighting modul VR2	5
Dampers, soft with binding elements	3	<b>M</b>	
Drivetrain 6 km/h, complete assembly, le.	3	Motor arm 9 inch castor wheels, with binding elements, le./rt.	3
Drivetrain 6 km/h, complete assembly, rt.	3	Motor arm 10 inch castor wheels, with binding elements, le./rt.	3
Drivetrain 10 km/h, complete assembly, le.	3	Motor carbon brush for 2 motors, 4 pc.	3
Drivetrain 10 km/h, complete assembly, rt.	3	Mounting rail for Joystick holder, comfort	12
Drive wheel 14", PU, rim anthracite, tyre grey, le./rt.*	7	<b>R</b>	
<b>E</b>		Receiver for armrest, le.	12
Extension cable 0.5m > for electrical options	5	Receiver for armrest, rt.	12
<b>F</b>		Reflector for rear, amber le./rt.	6
Fitting key for drive wheel, le./rt.	7	Reflector for side, amber le./rt.	6
Foot board, SW 36 cm	9	Rubber bracket for front light, le./rt.	6
Foot board, SW 41 cm	9		
Foot board, SW 46 cm	9		
Fuse 70A	5		
Fuse-kit (fuse, cable, bracket)	5		

# Minko

## Standard Power Wheelchair



### Index

<b>S</b>	
Seat cushion SW 36 cm	11
Seat cushion SW 41 cm	11
Seat cushion SW 46 cm	11
Seat fabric, SW 36 cm	11
Seat fabric, SW 41 cm	11
Seat fabric, SW 46 cm	11
Side skirt, le.	12
Side skirt, rt.	12
Splash guard front, le./rt.	8
Splash guard, rear, le./rt.	7
Strap for back angle adjustment	11
<b>T</b>	
T-bracket for armrest, le.	12
T-bracket for armrest, rt.	12
Tire 9", puncture protection, grey, le./rt.	8
Tire 10", puncture protection, grey, le./rt.	8
Tube 9", car valve, le./rt.	8
Tube 10", car valve, le./rt.	8
Tyre 14" air, grey, le./rt.	7
<b>V</b>	
VR2 controller 70A, 2 actuators > for electrical options	5
VR2 controller 70A, no actuators	5
VR2 joystick lights & 2 actuators > for electrical options	5
VR2 Joystick lights (VR2-JSM-L)	5
<b>W</b>	
Wedge for seat fabric, all SW	11
Wheel 9" complete, PU, rim anthrazite, tire grey, le./rt.	8
Wheel hub drive wheels, le./rt.	7
Wing nut for battery box	2