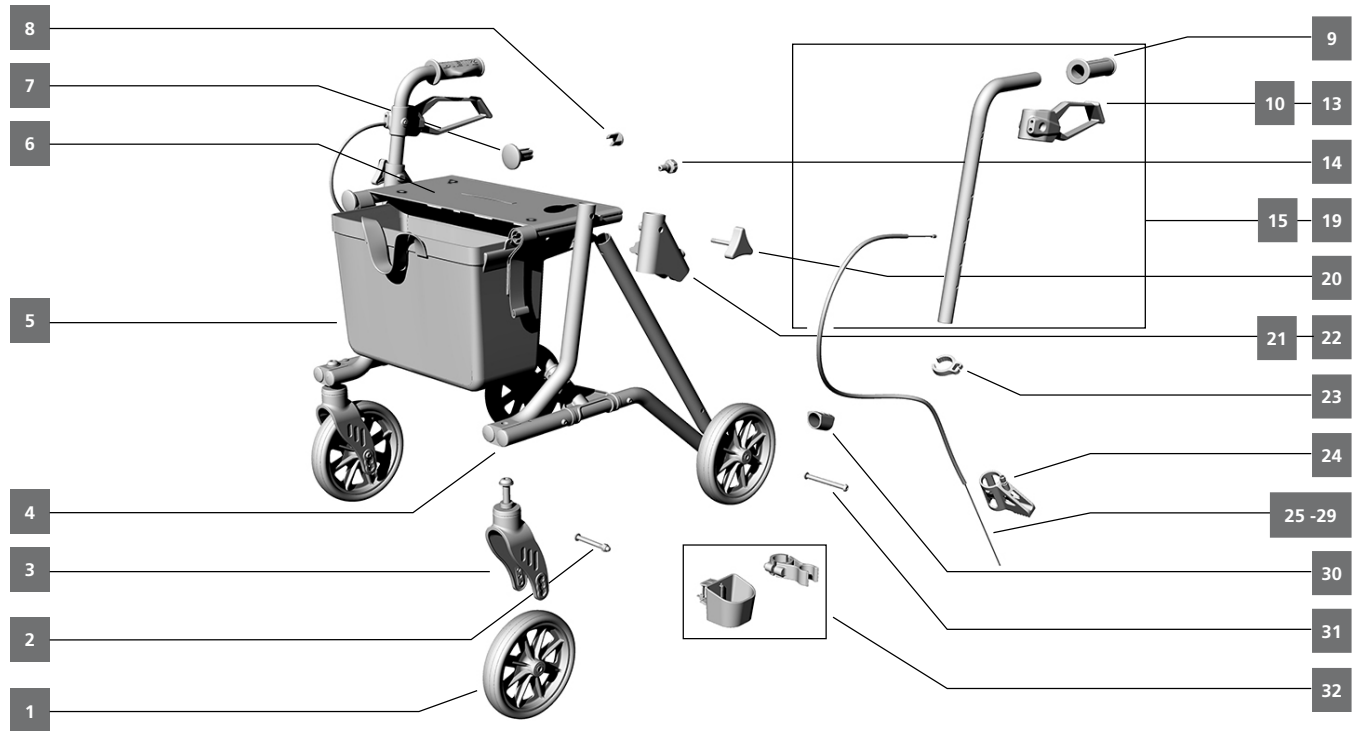


TAiMA M

DIETZ Rehab

Product type	Product name	Item number	Version
Lightweight rollator	TAiMA M	200059	V1.3.2 10/2023


Page 1

Position	Item no.	Description	QTY. delivered
1	500516	Wheel, front/back, 8", PU, dark grey, 8 spokes	pc.
2	500218	Axle, front wheel with self-locking nut	set
3	290013	Wheel fork cpl.	set
4	290023	Cover cap for side frame, front/rear, 2 pc.	set
5	290010	String shopping bag, standard, M	pc.
no pict.	290291	Bag rollator, M, nylon, black, with zipper	pc.
6	290020	Seat sling black, incl. rails	set
7	290021	Cover cap, seat tube front, 2 pc.	pc.
8	290022	Cover cap, seat tube back, 2 pc.	pc.
9	290016	Grip, left / right	pc.
10	290017	Brake lever set, left, without brake cable	set
11	290128	Brake lever set, left, without brake cable, from SN 347W002953	set
12	290014	Brake lever set, right, without brake cable	set
13	290127	Brake lever set, right, without brake cable, from SN 347W002953	set
14	290024	Release knob incl. screw nut	set
15	290071	Push handle, left incl. grip, brake lever, brake cable	set
16	290134	Push handle, left incl. grip, brake lever, brake cable, from SN 347W002953	set
17	290072	Push handle, right incl. grip, brake lever, brake cable	set
18	290135	Push handle, right incl. grip, brake lever, brake cable, from SN 347W002953	set
19	290029	Push handles extendet (99 - 114 cm), incl. grips, brake levers, brake cables	set
20	290019	Locking screw, push handle, 2 pc.	set
21	290034	Side-frame connector top, left, cpl.	set
22	290035	Side-frame connector top, right, cpl.	set
23	290032	Fixing clip for brake cable, plastic	pc.
24	290037	Brake pad set incl. bolt, screws, spring and adjusting screw	set



Product type	Product name	Item number	Version
Lightweight rollator	TAiMA M	200059	V1.3.2 10/2023

Page 2			
Position	Item no.	Description	QTY. delivered
25	290015	Brake cable, 2 pc.	set
26	290129	Brake cable, 2 pc., from SN 347W002953	set
27	290136	Brake cable for extended push handles, 2 pc., for models from Q2 / 2020	set
28	290028	Single hand brake, left/right, conversion kit (brake cable)	set
29	290130	Single hand brake, left/right, conversion kit (brake cable), for models from Q2 / 2020	set
30	290042	Tipping cap, 2 pc.	set
31	290025	Axle back wheel, incl. nut	set
32	290008	Cane holder, upper and lower part, incl. mounting material	set
no pict.	290124	Connecting element cross strut, incl. rivets	set
no pict.	290118	Backrest strap standard, incl. mounting material	set
no pict.	290126	Backrest strap comfort, incl. mounting material	set
no pict.	601227	Umbrella rollator, red, w/ mount	set
no pict.	601228	Umbrella rollator, grey, w/ mount	set
no pict.	297001	Covering hood, rollators, grey, w/ lead tape at the bottom	pc.
no pict.	280009	tray, acryl, transparent	pc.