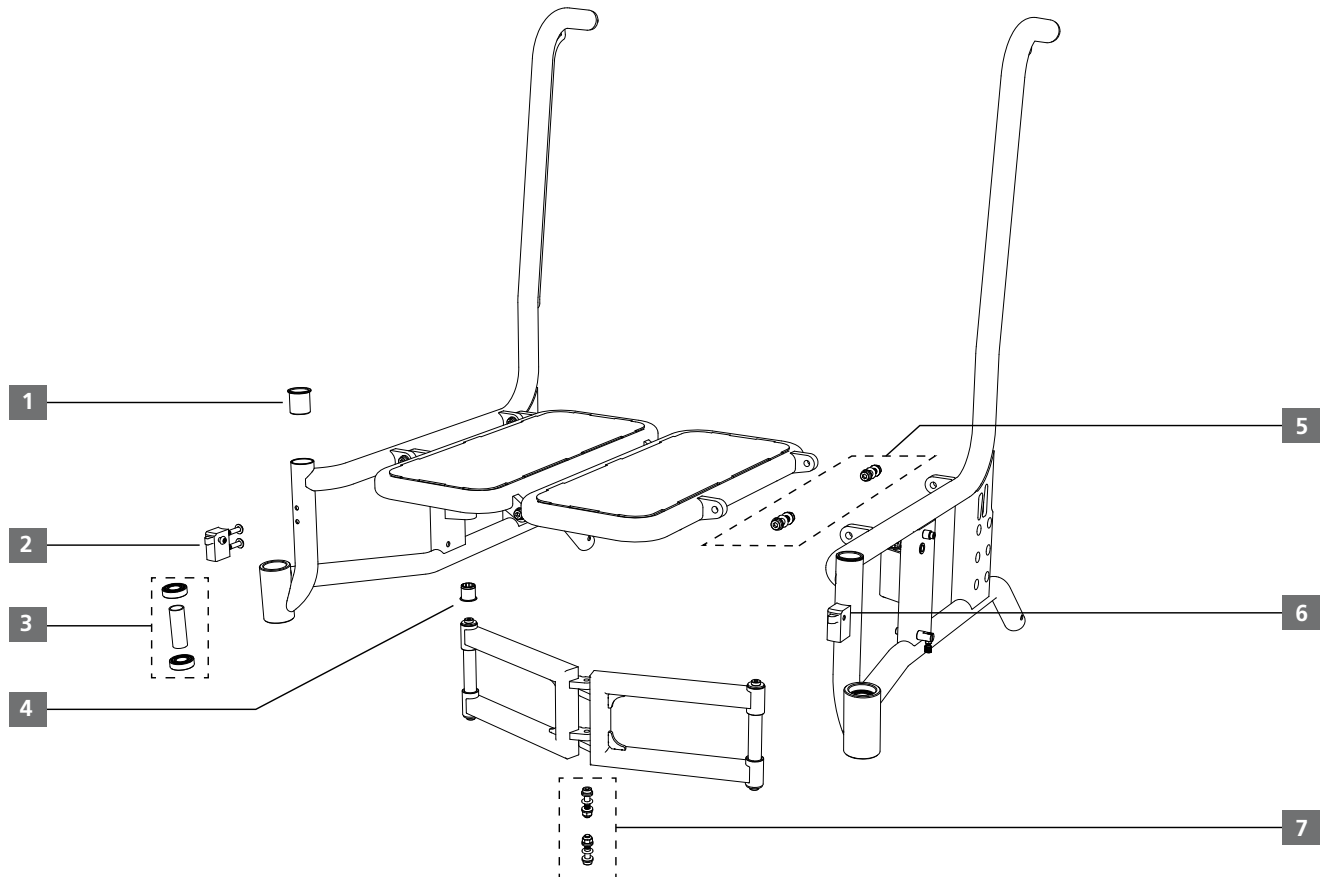


tauron|rsi[®]

DIETZ Individual

Manual XXL-Wheelchair

Assembly	Product name	Item no.	Version
Frame / Crossbrace	tauron rsi	713008 - 713015	V 4.2 // 2024-05



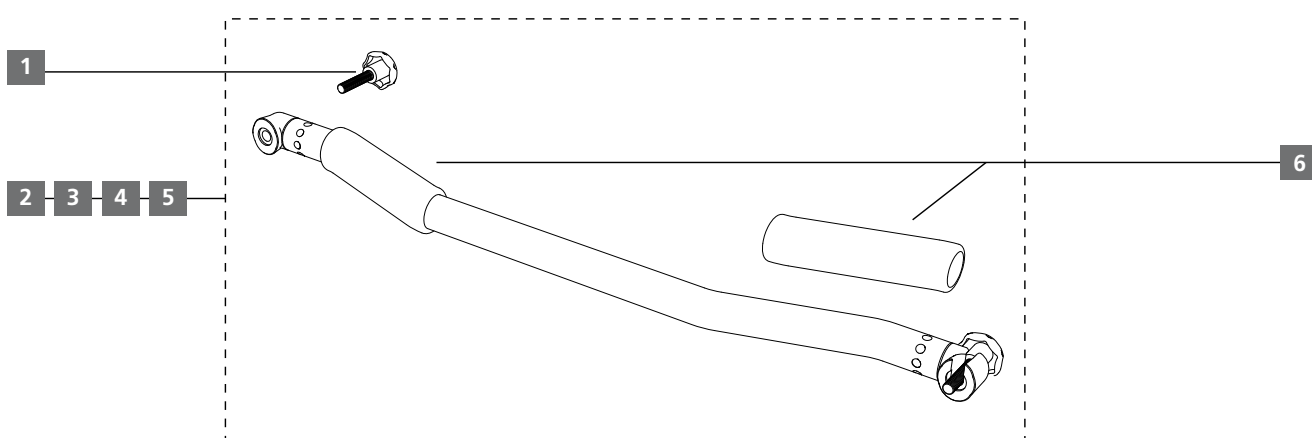
Position	Item no.	Description	QTY. supply
1	714324	Guide bushing, legrest	pc.
2	714322	Mounting socket, legrest, right, complete	pc.
3	714323	Ball bearing, castor, incl. Spacer sleeve, pair	pair
4	714325	Guide bushing, crossbrace	pc.
5	714326	Screw set, seat, 2 pieces.	set
6	714321	Mounting socket, legrest, left, complete	pc.
7	714327	Screw set, crossbrace, 2 pieces	set

tauron|rsi[®]

DIETZ Individual

Manual XXL-Wheelchair

Assembly	Product name	Item no.	Version
Push bar	tauron rsi	713008 - 713015	V 4.2 // 2024-05

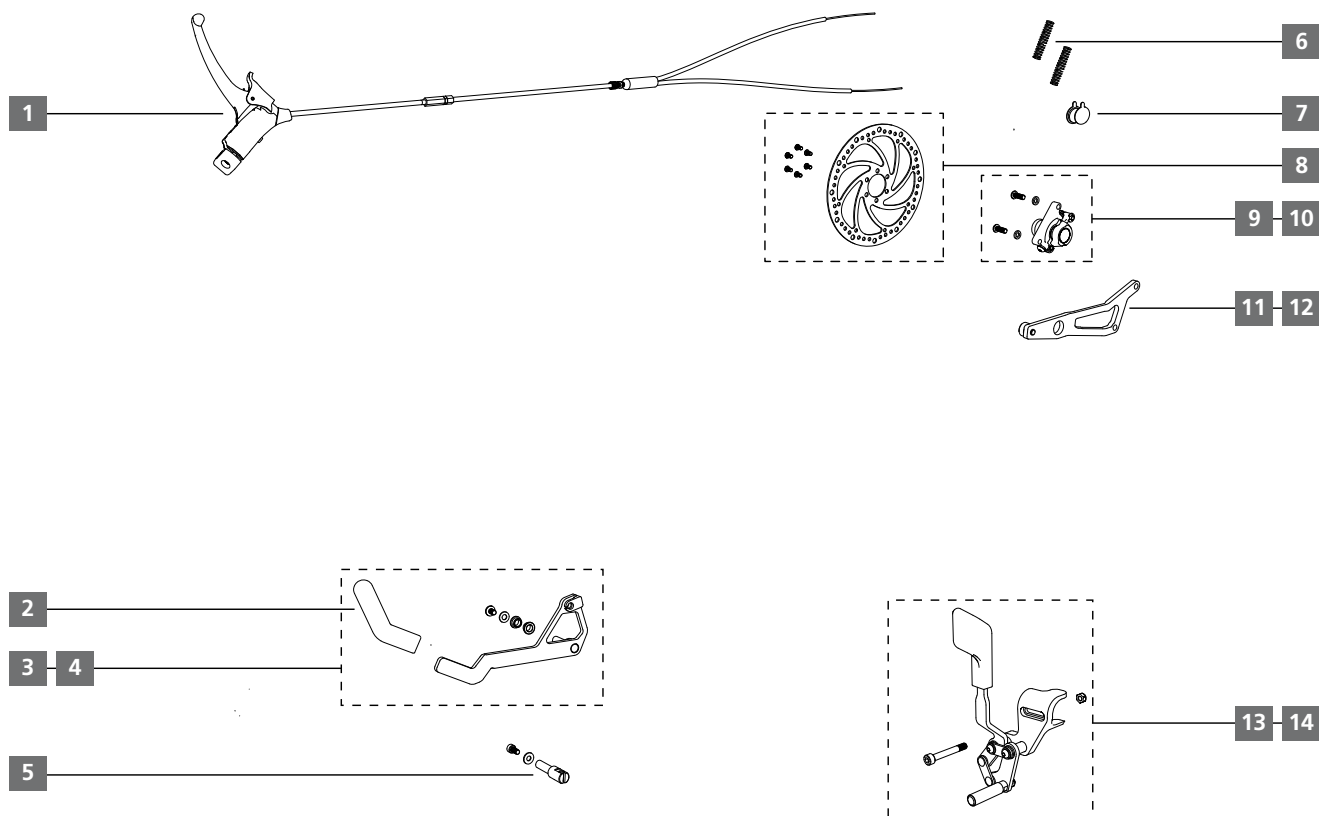


Position	Item no.	Description	QTY. supply
1	714411	Star knob screw, push bar, 2 pieces	set
2	714401	Push bar, SW 60 cm	pc.
3	714402	Push bar, SW 65 cm	pc.
4	714403	Push bar, SW 70 cm	pc.
5	714404	Push bar, SW 75 cm	pc.
6	714412	TPR grip, push bar, pair	pair

tauron|rsi[®]


Manual XXL-Wheelchair

Assembly	Product name	Item no.	Version
Brake	tauron rsi	713008 - 713015	V 4.2 // 2024-05

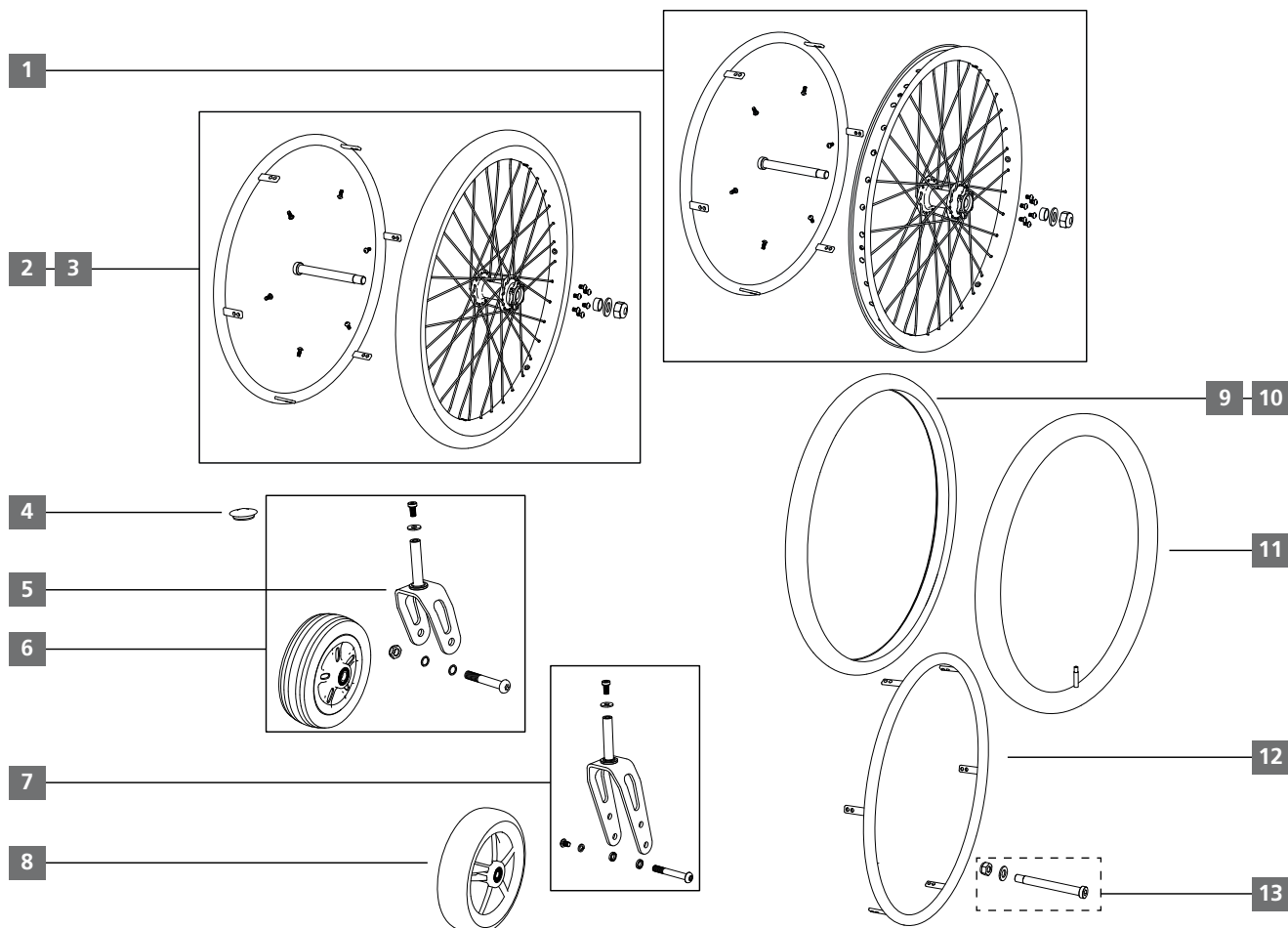


Position	Item no.	Description	QTY. supply
1	714510	One hand brake lever, attendant brake, brake cable set 1 to 2	set
2	714523	Rubber grip, brake lever, until S/N 161000106	pc.
3	714521	Brake lever, left, complete, until S/N 161000106	pc.
4	714522	Brake lever, right, complete, until S/N 161000106	pc.
5	714524	Cable holder, one hand brake, left / right, until S/N 161000106	pc.
6	714529	Spring, 2 pieces	pc.
7	714531	Brake pad, set (2 pcs.) for one brake caliper	set
8	714530	Disc, 180 mm, incl. 6x screws	pc.
9	714525	Brake cylinder, left	pc.
10	714526	Brake cylinder, right	pc.
11	714527	Adapter plate, brake, left, complete	pc.
12	714528	Adapter plate, brake, right, complete	pc.
13	714532	Parking brake, left, from 10/2018	pc.
14	714533	Parking brake, right, from 10/2018	pc.

tauron|rsi[®]
DIETZ Individual

Manual XXL-Wheelchair

Assembly	Product name	Item no.	Version
Wheels / Tyres	tauron rsi	713008 - 713015	V 4.2 // 2024-05

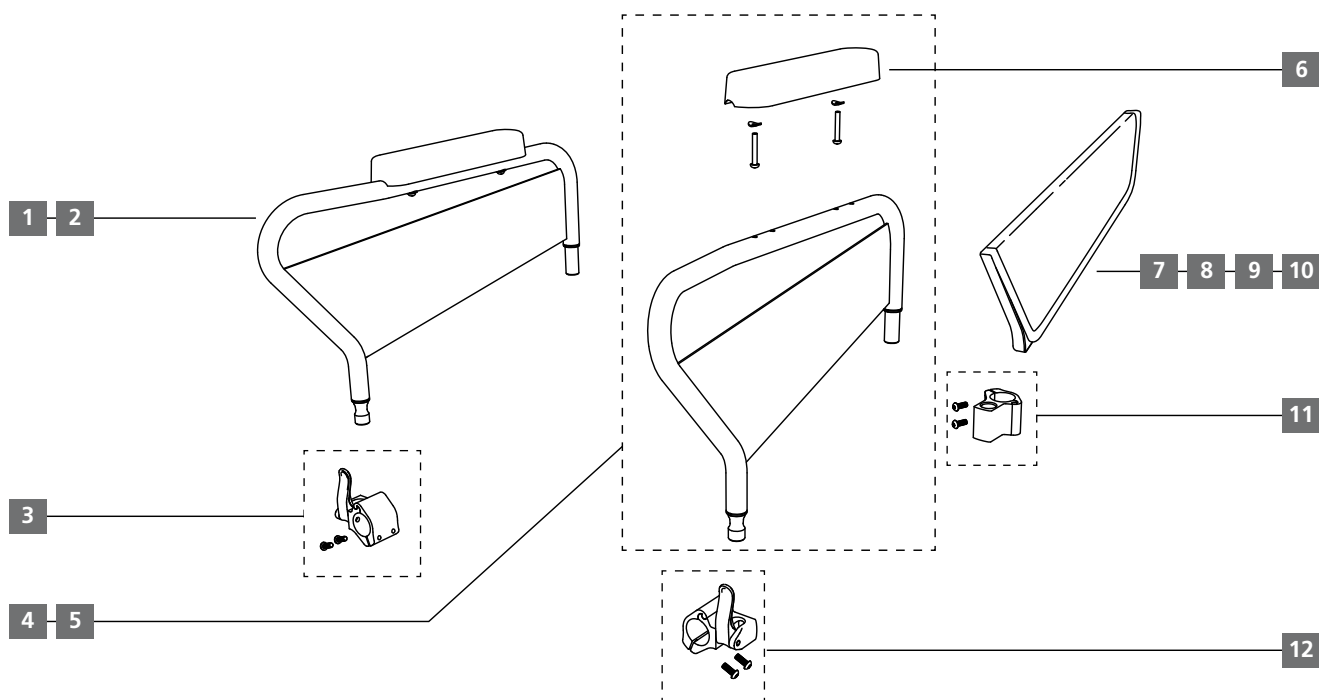


Position	Item no.	Description	QTY. supply
1	714607	Wheel 24", w/o tyre, incl. axle	set
2	714605	Wheel 24", left, PU 24", black, incl. axle	set
3	714606	Wheel 24", right, PU 24", black, incl. axle	set
4	714613	Cover cap, castor	pc.
5	714615	Wheel fork 6", axle (12 mm)	pc.
6	714602	Wheel, 6"/150 mm, PU puncture resistant, fork, cpl.	pc.
7	714614	Wheel fork 8", axle (10 mm)	pc.
8	714611	Wheel, 8"/200 mm, PU puncture, resistant	pc.
9	714618	Tyre, 24", black, PU puncture-resistant	pc.
10	714619	Tyre, 24 x 1.75", black, air, Marathon plus	pc.
11	714620	Inner tube, 24", ETRTO 47-507, Schrader valve (AV)	pc.
12	714616	Push rim, black	pc.
13	714617	Screw axis, U disc / nut	pc.
w/o. fig.	714610	Wheel, 8"/200mm, PU, heavy duty up to 300kg (only in combination with 300kg load and additional drive)	pc.

tauron|rsi[®]
DIETZ Individual

Manual XXL-Wheelchair

Assembly	Product name	Item no.	Version
Side frame	tauron rsi	713008 - 713015	V 4.2 // 2024-05



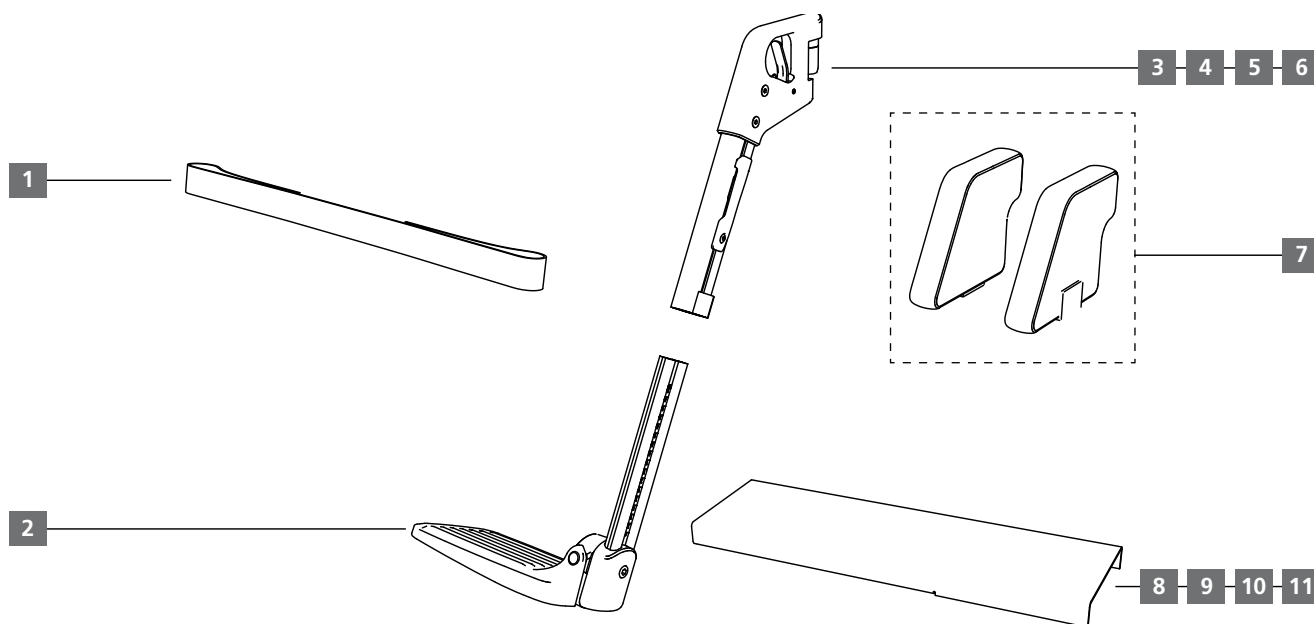
Position	Item no.	Description	QTY. supply
1	714702	Side frame long, right, complete	set
2	714704	Side frame short, right, complete	set
3	714711	Clamping collar front, right, quick release, complete	pc.
4	714701	Side frame long, left, complete	set
5	714703	Side frame short, left, complete	set
6	714712	Armrest cushion, PU, complete	pc.
7	714705	Cushion long, left	pc.
8	714706	Cushion short, left	pc.
9	714707	Cushion long, right	pc.
10	714708	Cushion short, right	pc.
11	714709	Clamping collar rear, left/right, complete	pc.
12	714710	Clamping collar front, left, quick release, complete	pc.

tauron|rsi[®]

DIETZ Individual

Manual XXL-Wheelchair

Assembly	Product name	Item no.	Version
Legrest	tauron rsi	713008 - 713015	V 4.2 // 2024-05

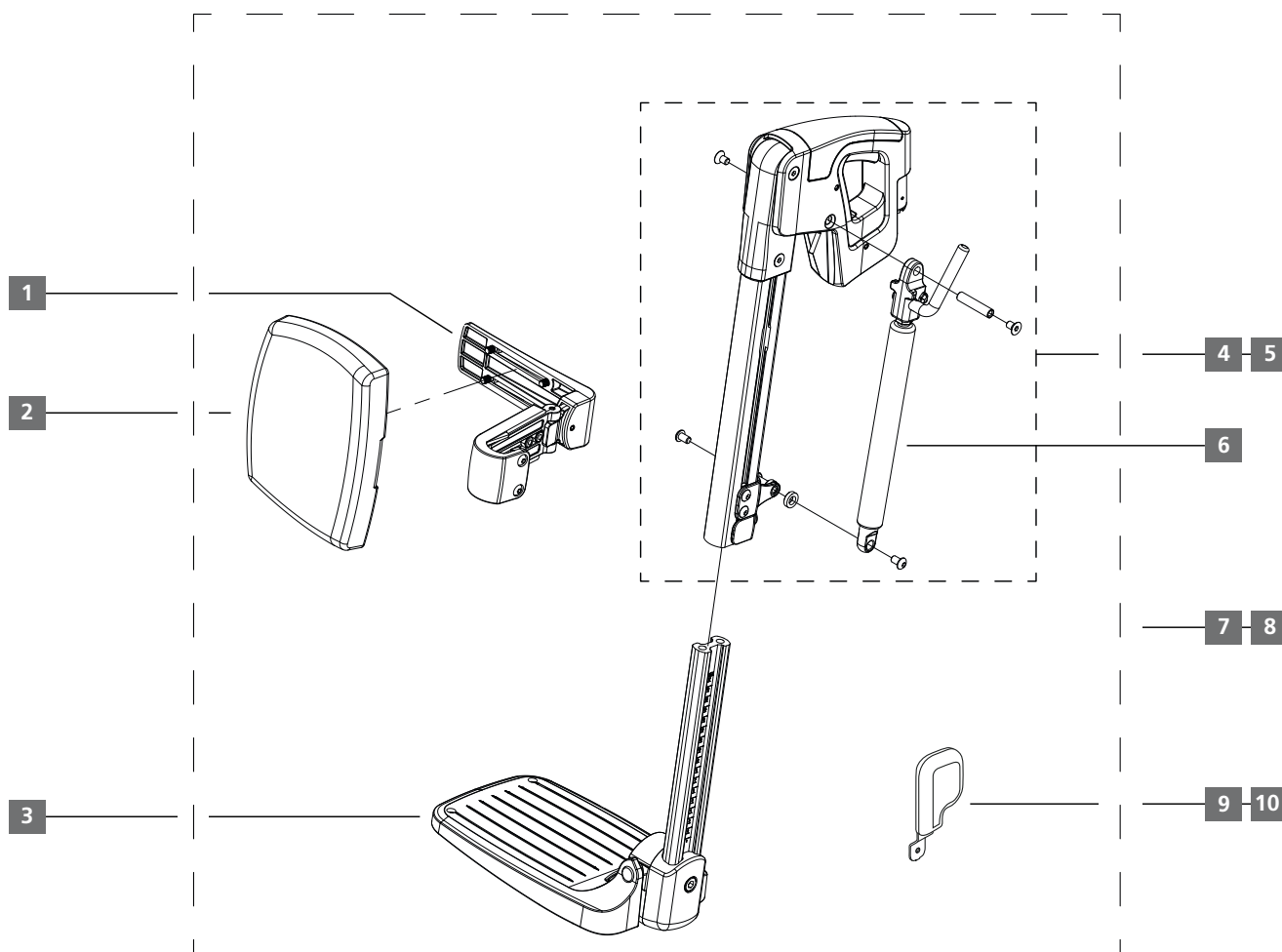


Position	Item no.	Description	QTY. supply
1	714811	Calf strap	pc.
2	714810	Lower part incl. footplate, left / right	pc.
3	714801	Legrest upper part, left	pc.
4	714802	Legrest upper part, right	pc.
5	714803	Legrest upper part with alum. head, left	pc.
6	714804	Legrest upper part with alum. head, right	pc.
7	714812	Knee pad, pair	pair
8	714813	Foot board, alu, SW 60 cm	pc.
9	714814	Foot board, alu, SW 65 cm	pc.
10	714815	Foot board, alu, SW 70 cm	pc.
11	714816	Foot board, alu, SW 75 cm	pc.

tauron|rsi[®]
DIETZ Individual

Manual XXL-Wheelchair

Assembly	Product name	Item no.	Version
Legrest - angle adjustable	tauron rsi	713008 - 713015	V 4.2 // 2024-05



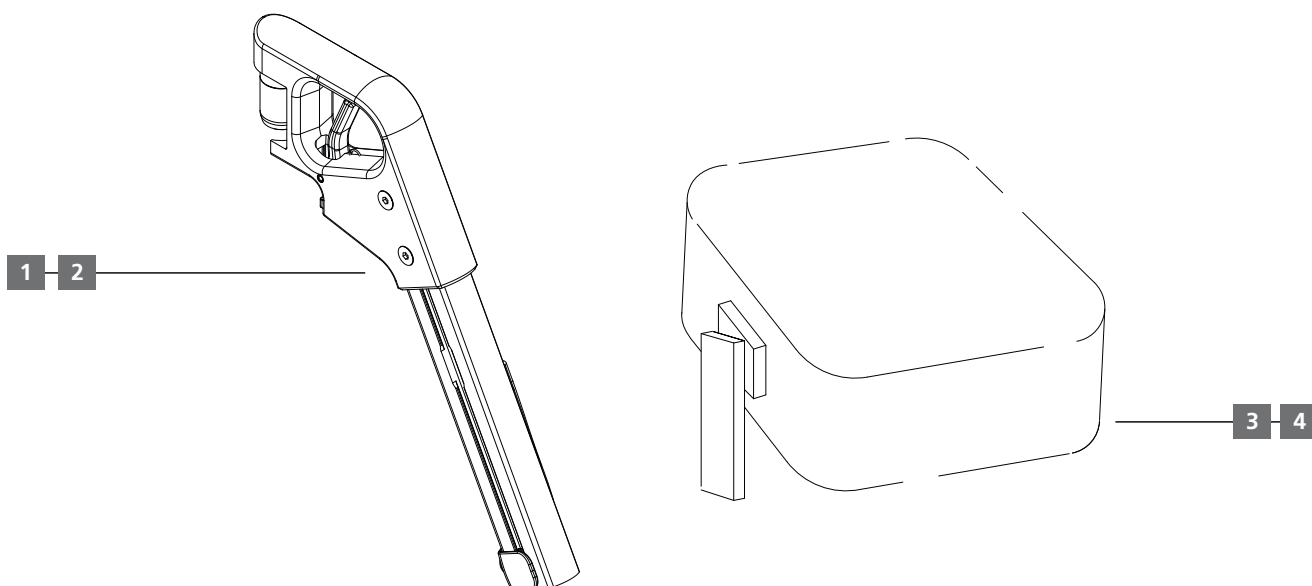
Position	Item no.	Description	QTY. supply
1	715018	Bracket depth adjustable, calf plate elevating legrest	pc.
2	715019	Calf plate PU, elevating legrest, left/right	pc.
3	715022	Legrest lower part, elevating legrest, left/right	pc.
4	715020	Legrest upper part, elevating legrest, incl. gaspring and lever, left	pc.
5	715021	Legrest upper part, elevating legrest, incl. gaspring and lever, right	pc.
6	715027	Gaspring for elevating legrest	pc
7	715016	Elevating legrest left, footplate angle adjustable/fold-up design, calf pad	pc.
8	715017	Elevating legrest right, footplate angle adjustable/fold-up design, calf pad	pc.
9	713516	Knee pad, elevating legrest, incl. mounting, right	pc.
10	713517	Knee pad, elevating legrest, incl. mounting, left	pc.

tauron|rsi[®]

DIETZ Individual

Manual XXL-Wheelchair

Assembly	Product name	Item no.	Version
Legrest - Amputation	tauron rsi	713008 - 713015	V 4.2 // 2024-05



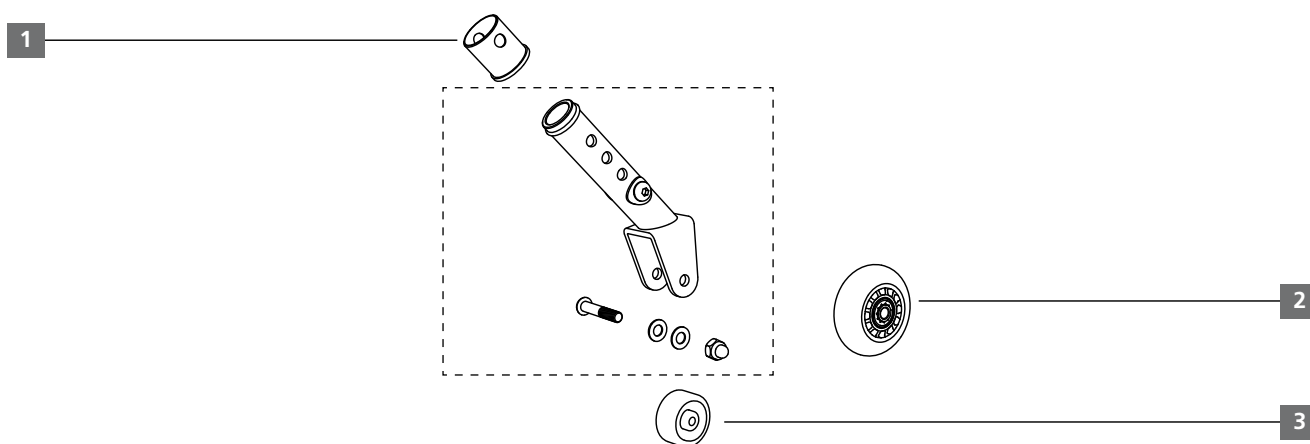
Position	Item no.	Description	QTY. supply
1	715012	Footrest upper part , ampu, left	pc.
2	715013	Footrest upper part , ampu, right	pc.
3	715014	Amputation Support, left	pc.
4	715015	Amputation Support, right	pc.

tauron|rsi[®]

DIETZ Individual

Manual XXL-Wheelchair

Assembly	Product name	Item no.	Version
Anti tip	tauron rsi	713008 - 713015	V 4.2 // 2024-05



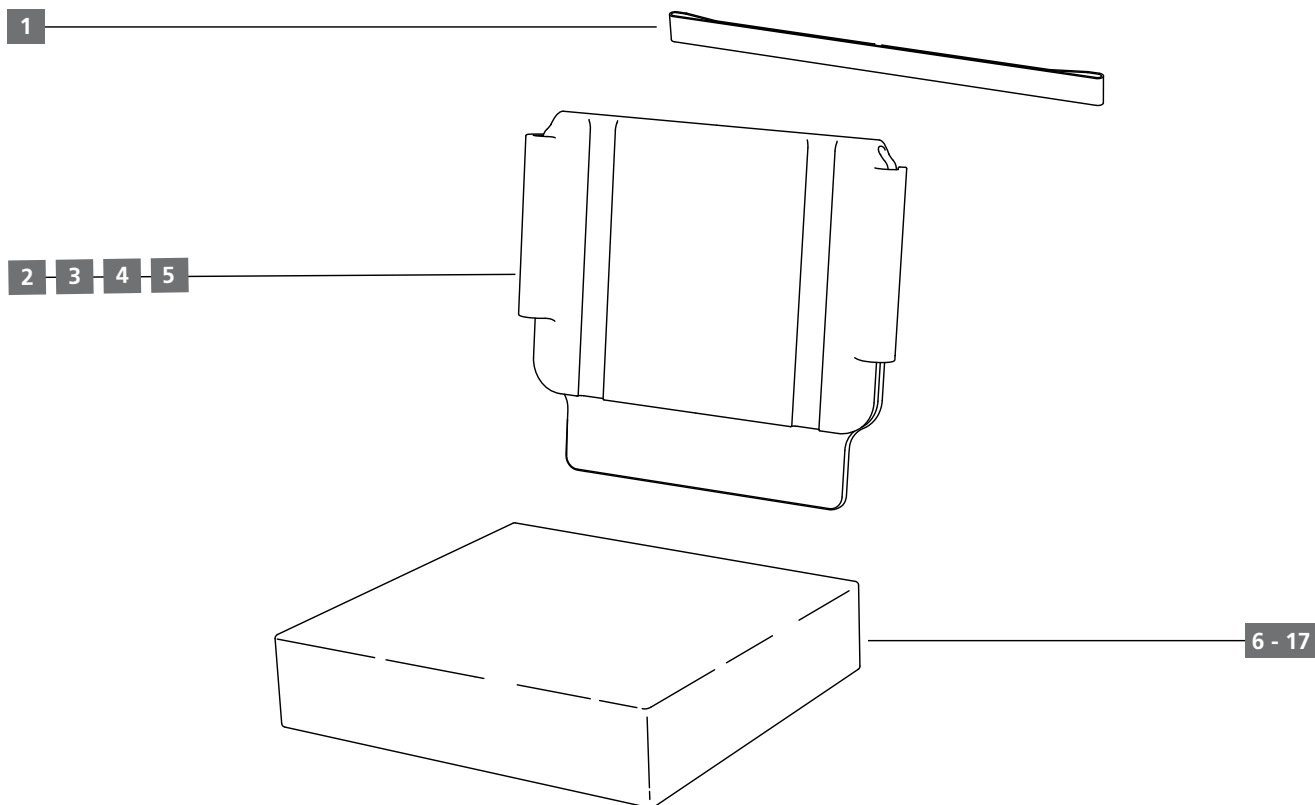
Position	Item no.	Description	QTY. supply
1	714633	Guide bushing, Anti tip	pc.
2	714631	Wheel, Anti tip, 60 mm	pc.
3	714632	Wheel, Anti tip, 40 mm	pc.

tauron|rsi[®]

DIETZ Individual

Manual XXL-Wheelchair

Assembly	Product name	Item no.	Version
Seat / Back upholstery	tauron rsi	713008 - 713015	V 4.2 // 2024-05



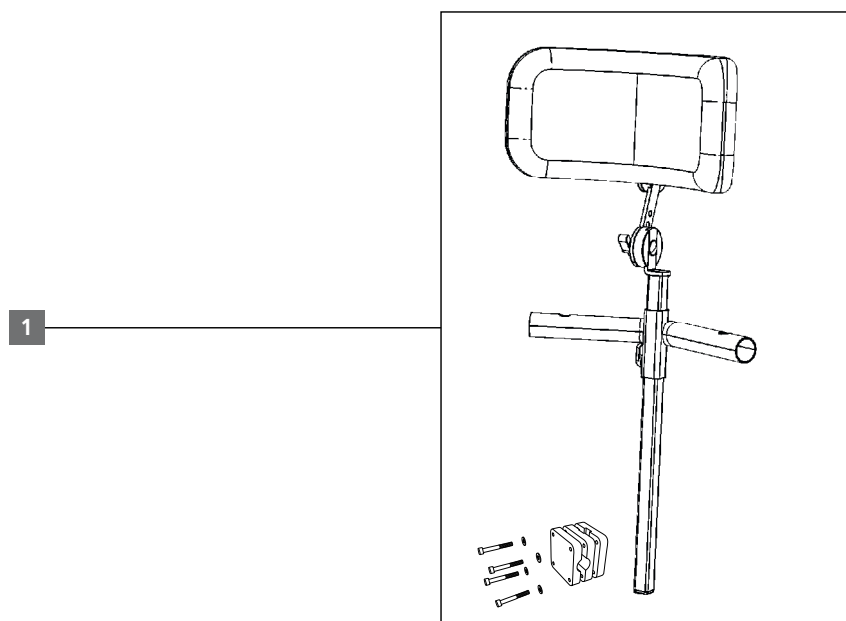
Position	Item no.	Description	QTY. supply
1	714921	Velcro strap, backrest, 1 piece	pc.
2	714901	Back upholstery, SW 60 cm	pc.
3	714902	Back upholstery, SW 65 cm	pc.
4	714903	Back upholstery, SW 70 cm	pc.
5	714904	Back upholstery, SW 75 cm	pc.
6	714943	Heavy duty cushion P12D, SW 60 cm, 54 x 43 x 12 cm,incl. incontinence cover	set
7	714944	Heavy duty cushion P12D, SW 60 cm, 54 x 48 x 12 cm,incl. incontinence cover	set
8	714945	Heavy duty cushion P12D, SW 60 cm, 54 x 53 x 12 cm,incl. incontinence cover	set
9	714946	Heavy duty cushion P12D, SW 65 cm, 59 x 43 x 12 cm,incl. incontinence cover	set
10	714947	Heavy duty cushion P12D, SW 65 cm, 59 x 48 x 12 cm,incl. incontinence cover	set
11	714948	Heavy duty cushion P12D, SW 65 cm, 59 x 53 x 12 cm,incl. incontinence cover	set
12	714949	Heavy duty cushion P12D, SW 70 cm, 64 x 43 x 12 cm,incl. incontinence cover	set
13	714950	Heavy duty cushion P12D, SW 70 cm, 64 x 48 x 12 cm,incl. incontinence cover	set
14	714951	Heavy duty cushion P12D,SW 70 cm, 64 x 53 x 12 cm,incl. incontinence cover	set
15	714952	Heavy duty cushion P12D, SW 75 cm, 69 x 43 x 12 cm,incl. incontinence cover	set
16	714953	Heavy duty cushion P12D, SW 75 cm, 69 x 48 x 12 cm,incl. incontinence cover	set
17	714954	Heavy duty cushion P12D, SW 75 cm, 69 x 53 x 12 cm,incl. incontinence cover	set

tauron|rsi[®]

DIETZ Individual

Manual XXL-Wheelchair

Assembly	Product name	Item no.	Version
Headrest	tauron rsi	713008 - 713015	V 4.2 // 2024-05



Position	Item no.	Description	QTY. supply
1	715008	Headrest, 4-settings adjustable (angle, height, depth, lateral), PU chusion	pc.