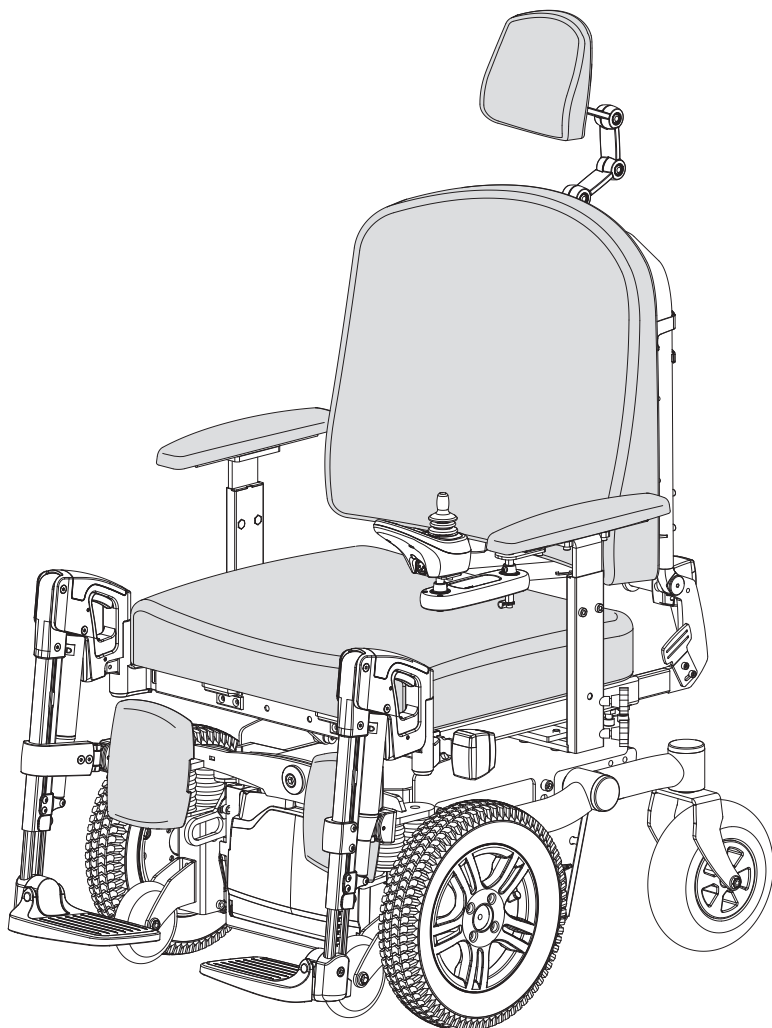


USER MANUAL

DIETZ Power

SANGO F

XXL



© 2017 DIETZ Power BV

All rights reserved.

The information provided may in no way be reproduced and/or published in any form or by any means (electronically or mechanically) without the express prior written consent of DIETZ Power BV.

The information provided is based on general data pertaining to constructions known at the time of issue. DIETZ Power BV pursues a policy of continuous product development and therefore reserves the right to make changes.

The information provided applies to the standard version of the product. DIETZ Power BV can therefore not be held liable for any damage resulting from specifications deviating from the standard version of the product.

The information made available has been compiled with the greatest care. However, DIETZ Power BV cannot be held liable for any errors in the information or for the consequences thereof. DIETZ Power BV cannot be held liable for any damage resulting from work carried out on the wheelchair by third parties.

Under legislation relating to the protection of trademarks, those commercial names, trade names, trademarks, etc. used by DIETZ Power BV may not be regarded as being free of rights.

Table of contents

1	Preface	5
1.1.	About this manual	5
1.2.	Symbols used in this manual	5
2	Safety.....	6
2.1.	Temperature	6
2.2.	Moving parts	6
2.3.	Electromagnetic radiation	7
2.4.	Markings on the wheelchair	8
3	General description.....	9
3.1.	Configurations	9
3.2.	The user	10
3.3.	Operating environment	11
4	General procedures.....	12
4.1.	Seat cushion	12
4.2.	Back cushion	12
4.3.	Leg rests	13
4.4.	Headrest	13
5	Wheelchair settings (qualified specialists only)	14
5.1.	Tools	14
5.2.	Centre of gravity	14
5.3.	Seat height and seat angle setting	15
5.4.	Seat depth setting	15
5.5.	Seat width setting	15
5.6.	Backrest angle setting	15
5.7.	Leg rest settings	16
5.8.	Armrest settings	18
5.9.	Controller settings	19
5.10.	Headrest settings	20
5.11.	The positioning belt (option)	20
6	Wheelchair adjustments	21
6.1.	Powered adjustments	21
6.2.	Mechanical adjustments	22

7	Using the wheelchair	23
7.1.	Checking the wheelchair	23
7.2.	Getting into and out of the wheelchair	23
7.3.	Driving the wheelchair	24
7.4.	Driving on slopes or ramps	25
7.5.	Obstacles	26
7.6.	Pushing the wheelchair	26
7.7.	Storage of the wheelchair after use	27
8	Transport	28
8.1.	Transporting the wheelchair in motor vehicles	28
8.2.	Special transport	30
9	Wheelchair maintenance	31
9.1.	Cleaning the wheelchair and its upholstery	32
9.2.	Batteries	32
9.3.	Tyres	33
9.4.	Reuse of the wheelchair	33
9.5.	Disposing of the wheelchair	34
10	Technical specifications	35
10.1.	Standards and requirements	35
10.2.	Specifications operating force	35
10.3.	Specifications product	36
10.4.	Specifications batteries	37
10.5.	Electrical diagrams	37
11	Warranty conditions	38
11.1.	Warranty period	38
11.2.	Warranty provisions	39
11.3.	Warranty procedure	39

1 Preface

1.1. About this manual

The user manual for this powered wheelchair consists of three separate booklets:

- The general user manual (this booklet)
- The manual for the controller
- The manual for the battery charger

Read through these user manuals carefully before using the wheelchair for the first time. The information they contain is essential for the safe use and proper maintenance (cleaning) of the wheelchair. If any of the manuals are missing on delivery of your wheelchair, please contact your dealer immediately.

A service manual for qualified specialists is also available.

1.2. Symbols used in this manual

Warning

Follow the instructions given under warnings! Failure to exercise due care in following these instructions may result in physical injury, damage to the wheelchair or damage to the environment. Where possible, the warnings are given in the section that is most relevant.


Section references


A reference to another chapter or section in this manual is given in parentheses enclosing the phrase 'see'. Example (see 2) or (see 2.4).

Cross-reference symbol

Where required, this general manual makes reference to the other manuals. This is done in the following way:

 CONTROLLER Please refer to the user manual for the controller.

 CHARGER Please refer to the user manual for the battery charger.

 SERVICE Please refer to the service manual of the product (qualified specialists only).

If you have a visual impairment, you can find a PDF version of this user manual at www.DIETZ-Power.com.

You can also request a large-print paper version by contacting DIETZ Power. Contact information can be found on the back cover of this user manual.

2 Safety

All of the very latest information relating to product safety and any product recalls can be found on our website at www.DIETZ-Power.com.

⚠ Warning

Follow the instructions given under warnings! Failure to exercise due care in following these instructions may result in physical injury, damage to the wheelchair or damage to the environment.

2.1. Temperature

⚠ Warning

- Avoid any physical contact with the motors of the wheelchair at all times. When the wheelchair is in use, the motors are in constant motion and can reach high temperatures. Any physical contact with the motors could result in burns. After use, the motors cool down slowly.
- Ensure that the wheelchair is not exposed to direct sunlight for long periods of time when not in use. Some parts of the wheelchair (such as the seat, backrest and armrests) can become hot if exposed to the sun for too long. This may result in burns or skin sensitisation.

2.2. Moving parts

⚠ Warning

Wheelchairs contain moving and rotating parts (figure 1). Contact with moving parts may result in serious physical injury or damage to the wheelchair. You should avoid any contact with the moving parts of the wheelchair.

- A. Wheels (turning and pivoting)
- B. Swing-away controller arm
- C. Powered backrest adjustment
- D. Powered tilt adjustment
- E. Powered leg rests



2.3. Electromagnetic radiation

The standard version of the SANGO xxi has been tested for compliance with the applicable requirements relating to electromagnetic radiation (EMC requirements).

Warning

Despite testing, the following cannot be ruled out:

- electromagnetic radiation interfering with the wheelchair. For example mobile telephones, large medical devices or other sources of electromagnetic radiation
- the powered wheelchair interfering with electromagnetic fields. For example shop doors, burglar alarm systems in shops or garage door openers.
- in some configurations equipped with a R-net controller, where it is possible that extreme electrical discharge situations due to static electricity, may cause a fault message ('ISM over-current') flashing on the screen. If this occurs simply turn off your wheelchair for a few seconds and back on to clear the fault.








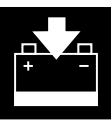

In the unlikely event of such problems arising, please notify your dealer immediately.

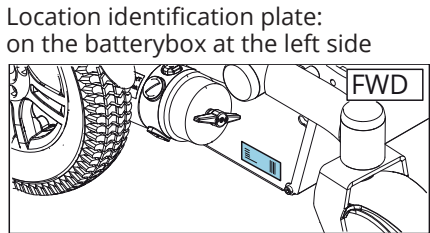
2.4. Markings on the wheelchair

Warning

- The markings, symbols and instructions on the wheelchair are part of the safety features. They must not be covered up or removed. They must remain on the wheelchair and be clearly legible for the whole lifespan of the wheelchair.
- Immediately replace or repair any markings, symbols or instructions that become damaged or illegible. Contact your dealer in such cases.

Symbols used on the wheelchair

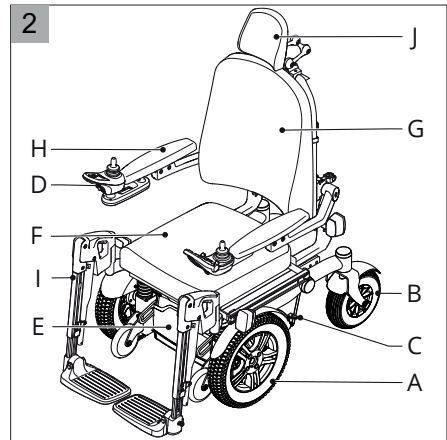
	<p>Consult the manual before use.</p>	<p>Identification plate</p>  <p>A. Manufacturer B. Type / Product name C. Max. speed D. Max. safe slope E. Max. user weight incl. extra load F. Serial number G. Global Trade Item Number H. Customer purchase order number I. Serial number J. Manufacturing date YYYY-MM</p>
	<p>Freewheel switch</p> <ul style="list-style-type: none"> • Drive position • Push position <p> Warning Never set the freewheel switch to the 'Push' position when the wheelchair is on a slope.</p>	
	<p> Warning (yellow-black) Pinch point hazard: Keep hands and fingers away from moving parts when adjusting the height and/or tilt angle of the wheelchair.</p>	
	<p>Securing point for transportation inside a vehicle.</p>	
	<p> CONTROLLER Battery charging point.</p>	



3 General description

Front wheel drive wheelchairs and their major components (figures 2)

- A. Drive wheels
- B. Castor wheels
- C. Freewheel switch
- D. Controller
- E. Battery
- F. Seat cushion
- G. Backrest
- H. Armrest
- I. Leg rest
- J. Headrest



3.1. Configurations

Broadly speaking, the wheelchair is made up of an undercarriage with the SEGO seating system on top of it for excellent support for the head, torso, arms and legs. The wheelchair is available as a 6 km/h front-wheel drive (FWD).

⚠ Warning

- No changes may be made to the technical specifications.
- Do not make any adjustments to the electrical circuit.
- Modification of the wheelchair or its component parts is not permitted.

3.2. The user

Driving a powered wheelchair requires the user to have cognitive, physical and visual abilities. The user must be capable of estimating the consequences of any action taken while driving the wheelchair and of correcting action where required. The wheelchair must not carry more than one person.

The maximum user weight*	
SANGO xxl	250 kg

* unless otherwise stated on the identification plate (see 2.4). Any additional weight in the form of a bag, accessories or medical equipment must be added to the user's weight, with the resulting total weight not exceeding the maximum user weight.

The user must also be aware of the contents of this manual before using the wheelchair for the first time. The wheelchair user must also have received thorough instruction from the dealer before using public roads. A trainer/consultant must supervise the user's first experience of driving the wheelchair.

Warning

- The wheelchair user shall at all times be fully responsible for compliance with locally applicable safety regulations and guidelines.
- You must not drive the wheelchair while under the influence of any substances that may affect your driving ability.
- Your eyesight must be good enough to allow you to use the wheelchair in any particular situation safely.
- Do not seat more than one person in the wheelchair.
- Do not allow children to drive the wheelchair without supervision.

3.3. Operating environment

This wheelchair has been developed for both indoor and outdoor use (EN 12184 (2014) class B). When outdoors, drive only on paved roads, pavements, footpaths and cycle paths. Always adjust your speed to your surroundings.

Warning

- A wheelchair should be regarded as a replacement for the walking function. Users must therefore travel among pedestrians and not on streets with traffic.
- The use of the wheelchair on walk ways and roads may be subject to the applicable legal requirements of National Road Laws or Road Traffic Laws.
- Drive carefully on roads that are slippery due to rain, ice or snow!
- Prevent the wheelchair from coming into contact with seawater, as it is aggressive and has a corrosive effect.
- Prevent the wheelchair from coming into contact with sand. Sand can get into the moving parts of the wheelchair, causing unnecessarily rapid wear.
- When visibility is limited, the use of lights is compulsory.
- Exercise additional care when driving at high speeds. Adjust to a lower maximum speed when driving indoors, on pavements and in pedestrianised areas.
- Do not drive off of high obstacles.
- Do not use the wheelchair at temperatures below -10°C or above $+50^{\circ}\text{C}$.
- Do not attach any weights to the wheelchair without consulting a specialist. You may otherwise influence the stability of the product.
- Do not use the wheelchair to push and/or pull any objects along.
- Do not open doors using the leg rests.
- Do not drive through puddles of water.

4 General procedures

Some parts can be removed without the use of tools. The wheelchair can easily be reduced in size. For example to transport the wheelchair (see 8).

⚠ Warning!

The removal of parts might have adverse or beneficial effects on the wheelchair.

4.1. Seat cushion

(figure 5)

To remove
Pull the seat cushion (A) upwards and then forwards.

To replace
Place the seat cushion on the chair and push it backwards and downwards.

⚠ Warning

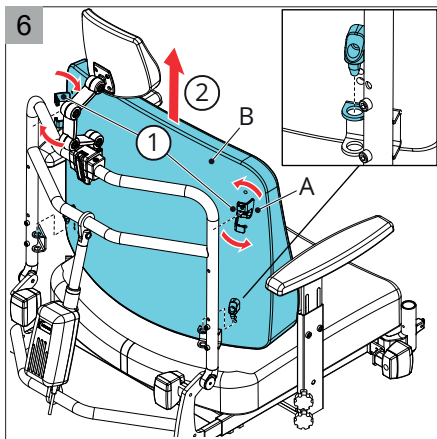
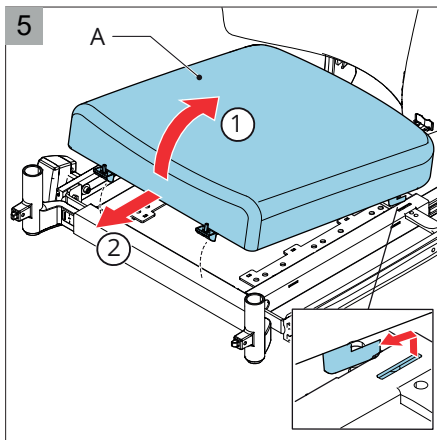
The seat is not locked into place until you hear a click.

4.2. Back cushion

(figure 6)

To remove
1. Loosen the clips (A).
2. Pull the back cushion (B) upwards.

To replace
1. Place the back cushion on the attachment points.
2. Pull the back cushion backwards.
3. Tighten the clips.



4.3. Leg rests

(figure 7)

To remove

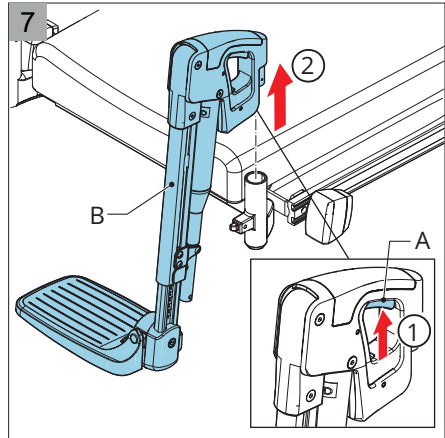
1. Press the handle (A) upwards to release the leg rest.
2. Remove the leg rest (B) by lifting it out of the bracket.

To replace

Place the leg rest in the bracket.

⚠ Warning

- The leg rest is not locked into place until you hear a click.
- Removing the leg rest may affect the stability of the wheelchair.



4.4. Headrest

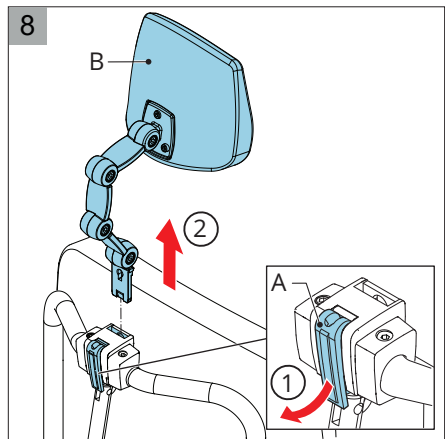
(figure 8)

To remove

1. Loosen the lever (A) by half a turn.
2. Remove the headrest (B).

To replace

1. Place the headrest in the desired position.
2. Lock the headrest in place by tightening the lever.



5 Wheelchair settings (qualified specialists only)

There is no such thing as an average wheelchair user. This is why DIETZ-Power wheelchairs can be adjusted to a specific user's individual situation.

We make a distinction between user adjustments and permanent settings.

- User adjustments can be made by the user himself/herself without the need for any tools.
- Permanent settings must be altered by a dealer, unless expressly stated otherwise.

Warning

A number of permanent settings are described in the following paragraphs. Only qualified service technicians or dealers may alter these.

 SERVICE for more adjustments and replacement information

5.1. Tools

The following tools are needed to do the settings as described in this paragraph:

- Spanner, size 13
- Allen key, size 4, 5, 6 and 8

5.2. Centre of gravity

When adjusting the seat depth or the seat angle settings, the centre of gravity will be affected. Moving the centre of gravity;

- will have a negative effect on the handling of the wheelchair if not carried out correctly.
- will have a negative effect on dynamic stability if not carried out correctly;
 - For FWD do not position the seating frame in the most front position
 - For RWD + MWD move seating frame in most front position when Seat depth is maximum.
- change should be made by professionals only.

If in any doubt, contact DIETZ-Power technical support department.

5.3. Seat height and seat angle setting

The seat height can be permanently adjusted according to the user's specific situation. All of the optional seat heights fall within the maximum safe slope of 6° (10.5%), as set out in EN 12184 (2014) class B. Lowering the seat height will have a positive effect on overall and dynamic stability.

1. Loosen the bolts (A figure 10).
2. Position the bolts in the hole (B) corresponding to the desired position.
3. Tighten the bolts.

⚠ Warning

By increasing the seat height you also raise the centre of gravity. This has a negative effect on overall and dynamic stability.

5.4. Seat depth setting

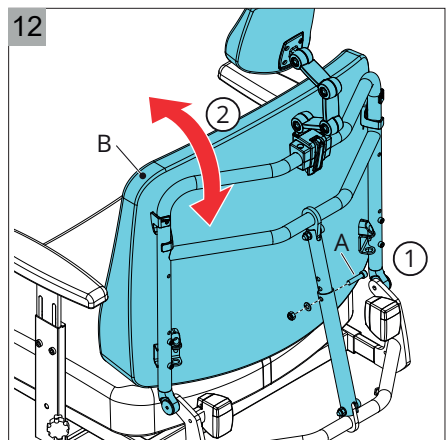
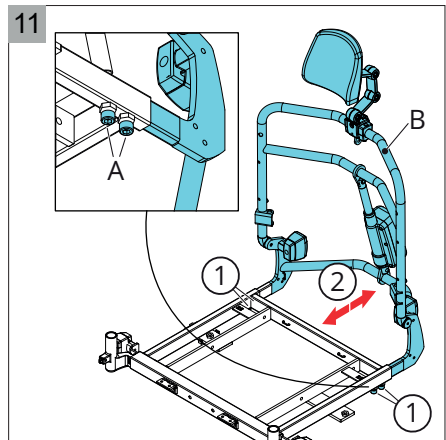
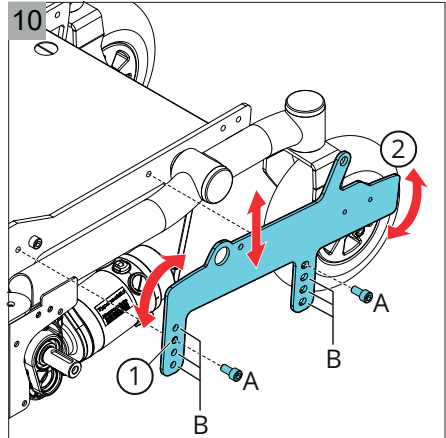
1. Loosen the allen screws (A) on each side by one turn (figure 11).
2. Slide the seat frame (B) into the desired position.
3. Tighten the allen screws.

5.5. Seat width setting

The seat width can be adjusted by changing the leg rest and/or armrest width (see 5.8 and 5.9).

5.6. Backrest angle setting

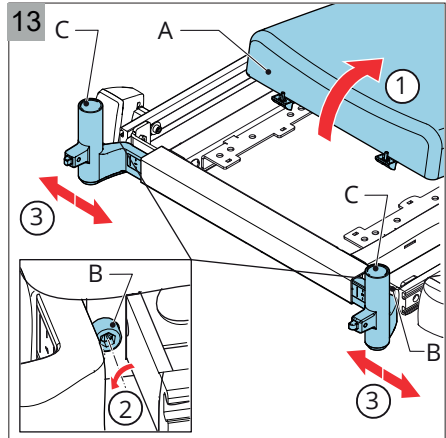
1. Loosen the bolts (figure 12).
2. Adjust the backrest (B) to the desired angle.
3. Tighten the allen screws.



5.7. Leg rest settings

Leg rest width (also affects seat width)

1. Remove the seat cushion (A figure 13).
2. Loosen the allen screws (B) by one turn.
3. Slide the leg rest bracket (C) into the desired position.
4. Tighten the allen screws.

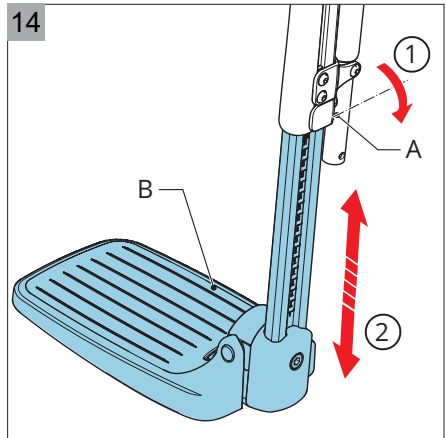


Lower leg length

1. Loosen the allen screw (A figure 14).
2. Slide the footplate (B) into the desired position.
3. Tighten the allen screw.

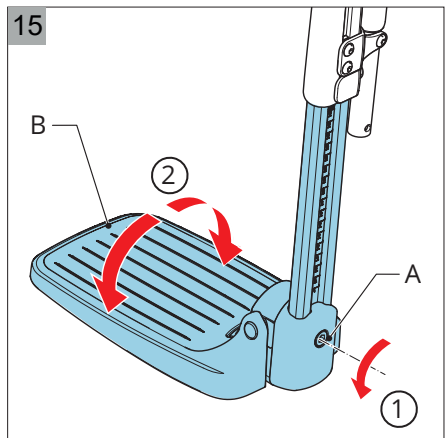
⚠ Warning

Ensure that there is enough space underneath the footplate for the wheelchair to drive over obstacles.



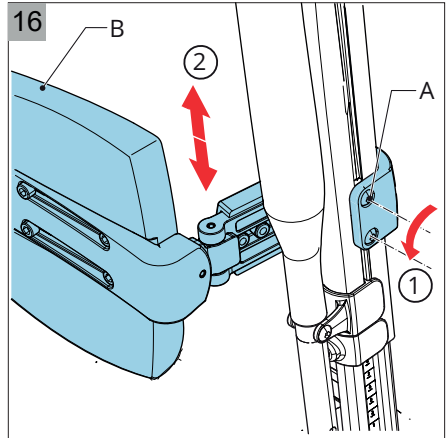
Footplate angle

1. Loosen the allen screw (A figure 15).
2. Move the footplate (B) into the desired position.
3. Tighten the allen screw.



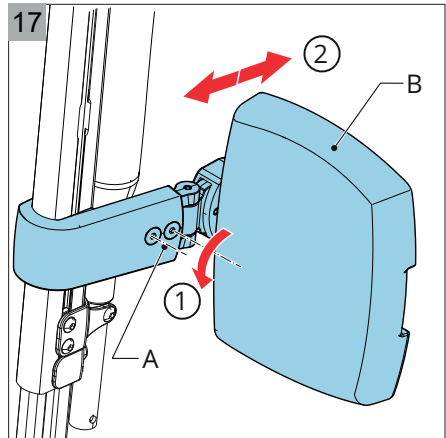
Height of the calf support

1. Loosen the two allen screws (A) by a few turns (figure 16).
2. Slide the calf support (B) into the desired position.
3. Tighten the allen screws.



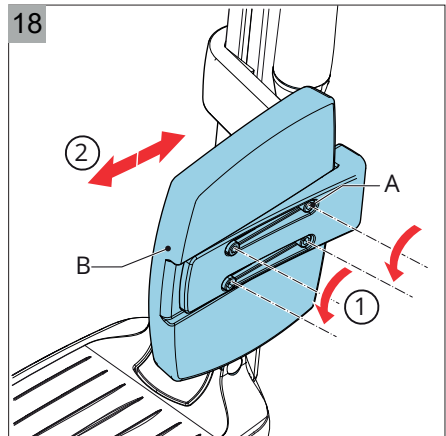
Calf support depth (option)

1. Loosen the allen screws (A figure 17).
2. Position the calf support (B) in the desired position.
3. Tighten the allen screws.



Calf support width (option)

1. Loosen the 4 allen screws (A figure 18).
2. Move the calf support (B) into the desired position
3. Tighten the allen screws.



5.8. Armrest settings

Armrest width (also affects seat width)

1. Loosen the allen screw (B) by two turns (figure 19).
2. Slide the armrest (A) to the side.
3. Tighten the allen screw.

Armrest height

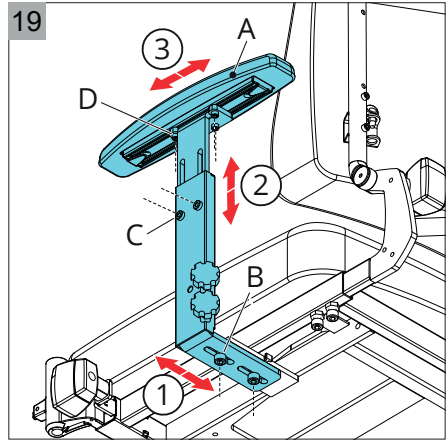
1. Loosen the bolt (C figure 19) by two turns.
2. Slide the armrest (A) into the desired position.
3. Tighten the bolt.

Warning

Ensure that the arms are well supported, without the shoulders being pushed upwards.

Armrest pad width and depth

1. Loosen the four allen screws (D figure 19).
2. Adjust the armrest pad (A) depth to the desired position.
3. Tighten the allen screws.



5.9. Controller settings

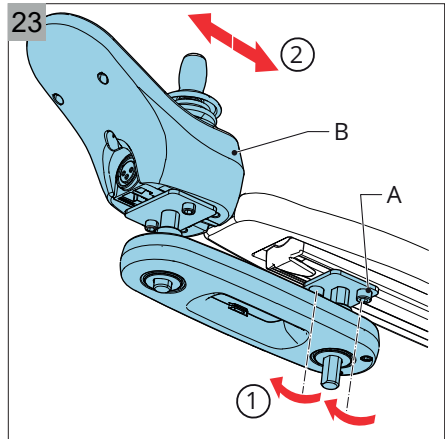
Control system programme

⚠ Warning

Making incorrect adjustments to the control system parameters can lead to extremely dangerous situations. These adjustments only may be carried out by qualified specialists.

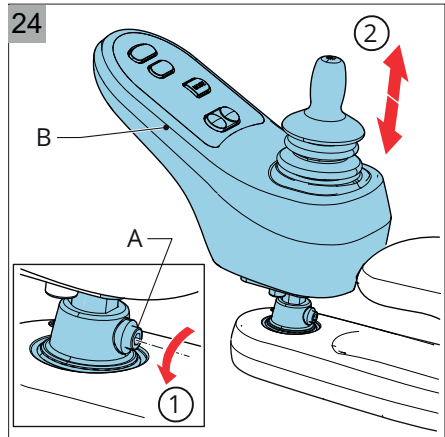
Controller depth (option)

1. Loosen the allen screws (A figure 23).
2. Slide the controller (B) into the desired position.
3. Tighten the allen screws.



Controller height (option)

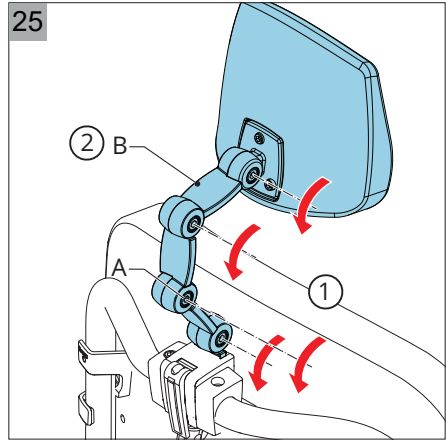
1. Loosen the allen screws (A figure 24).
2. Slide the controller (B) into the desired position.
3. Tighten the allen screws.



5.10. Headrest settings

Headrest height and position

1. Loosen the 4 allen screws (A figure 25).
2. Adjust the segments (B) to the right position.
3. Tighten the allen screws.

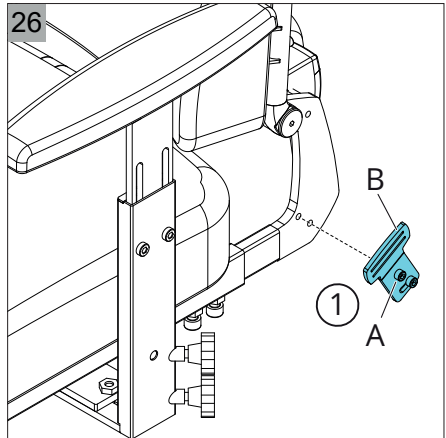


5.11. The positioning belt (option)

The wheelchair can be fitted with a positioning belt (contact your dealer). This provides additional seating stability under normal use. The belt does not function as a safety belt for transportation purposes.

⚠ Warning

- Ensure that the positioning belt is adjusted to the wheelchair user. The components of the wheelchair must not interfere with the belt, which should fit snugly across the upper legs.
- Ensure that the positioning belt is always clean and that its locking mechanism works properly. The belt and the locking mechanism can be cleaned using a damp cloth.
- If the positioning belt is placed above hip level (over the soft part of the belly) this may lead to an incorrect sitting posture and the user slumping in the chair.
- Never use the positioning belt as a safety belt during transportation.



Mounting the positioning belt

1. Tighten the bolts (A figure 26) with the belt bracket (B).


6 Wheelchair adjustments

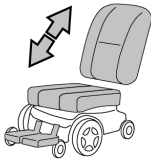
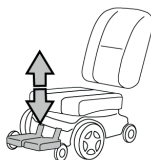
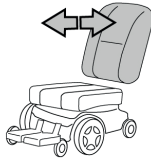
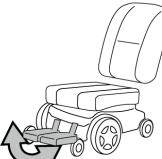
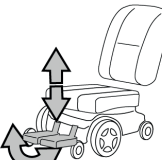
Wheelchair adjustments are those components that the user can adjust without the use of tools. The wheelchair may be fitted with powered and/or mechanical adjustment options.

Warning

- The centre of gravity is affected when adjustments are made. Adjustments should therefore only be made when the wheelchair is on a flat surface.
- Driving stability may be affected when adjustments are operated. Take extra care.
- Powered adjustments involve parts of the wheelchair moving and/or rotating. Contact with such moving parts may result in serious physical injury or damage to the wheelchair. You should avoid any contact with the moving parts of the wheelchair.
- When adjustments are made, the standard size of the wheelchair increases. Make sure that the wheelchair does not block any escape routes.

6.1. Powered adjustments

 CONTROLLER how to operate the powered adjustments by use of the controller. The following powered adjustments are possible:

	Adjustment	Neutral position		Adjustment	Neutral position
Adjustable seat tilt			Adjustable footrest extended		
	Entire seat will tilt forwards/ backwards.	Upright		The legrest length will increase/ decrease.	Close to the feet
Adjustable backrest recline			Adjustable footrest lift		
	The backrest will tilt forwards/ backwards.	Upright		The legrest angle will increase/ decrease.	Vertical as possible
			Footrest length compensating		
				The legrest length and angle will increase/ decrease	Vertical as possible

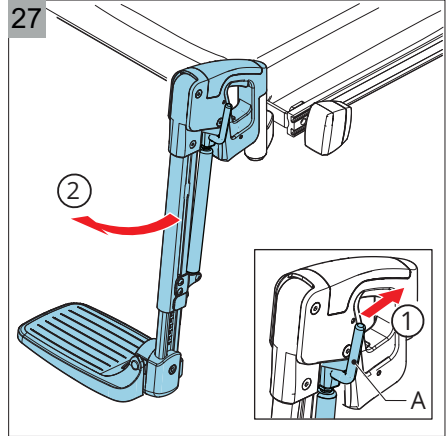
6.2. Mechanical adjustments

The following mechanical adjustments are possible:

Comfort leg rest knee angle

The angles of the comfort leg rests can be adjusted independently of each other.

1. Push the lever (A) forwards (figure 27).
2. Raise your leg up or push your leg down.
3. Release the lever when in the required position.



Swing-away controller arm

Push the controller arm to the desired position.

Back frame (option)

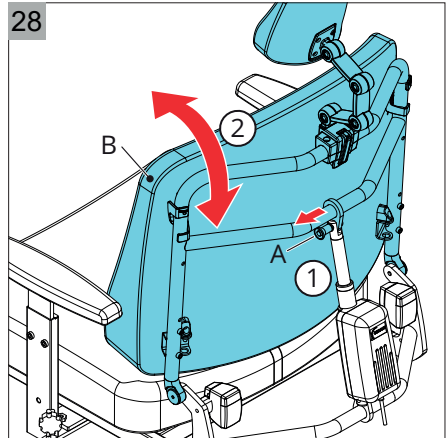
(figure 28)

To fold down

1. Remove the quick-release shafts (A).
2. Fold down the backrest (B).

Upright position

1. Open out the backrest to an upright position.
2. Replace the quick-release shafts.





7 Using the wheelchair

7.1. Checking the wheelchair

⚠ Warning

Carry out the following checks before using the wheelchair:

- The wheelchair should be adjusted / set to the intended user (see 5).
-  CONTROLLER check whether the batteries are sufficiently charged: if they are, the green lights on the battery indicator will be on.
-  CONTROLLER check whether the lights and the indicators are working.
- Check whether the tyres are sufficiently inflated (see 9.3).
- Ensure that the freewheel switch is in the 'drive' position (see 7.6).

⚠ Warning

When using the wheelchair:

- Take the length of your clothing into account. Before using the wheelchair, check to see whether any garments or accessories could come into contact with the wheels or any other moving and/or rotating parts and become entangled in them.
- Battery capacity is reduced in winter. When there is a light frost, capacity is around 75% of normal capacity. At temperatures below -5 °C, capacity is reduced by approximately 50%. This reduces the operating range.

7.2. Getting into and out of the wheelchair

Getting into and out of a wheelchair is also described as making a transfer.

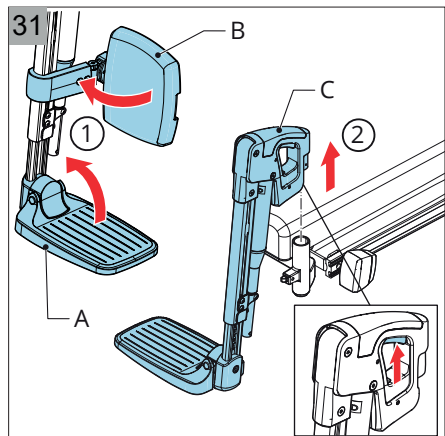
⚠ Warning

Do not stand on the footplates when making a transfer. They are not designed to carry a person's full weight. Standing on them may also cause the wheelchair to tip over. Before making a transfer, ensure that:

- The controller is turned off
- The freewheel switch is in the 'drive' position (see 7.6)

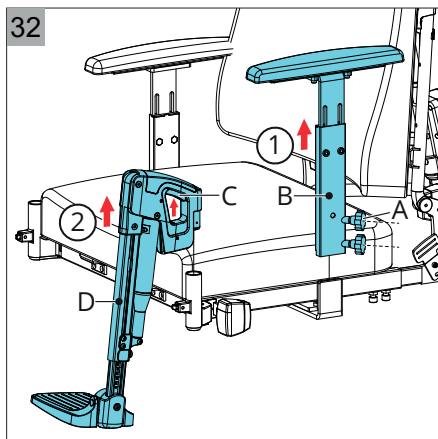
Forward transfer

1. Flip up the footrests (A figure 31) and swing-away the calf supports (B) (if applicable).
2. If possible, swing-away the leg rests (C) or remove them from the bracket.
3. Sit down in the wheelchair




Side transfer

1. Loosen A (figure 32) by a few turns.
2. Remove the armrest (B).
3. Squeeze the handle (C) to remove the legrest from the bracket or swing-away the leg rest (D).
4. Sit down in the wheelchair



7.3. Driving the wheelchair

 **CONTROLLER A** controller is used for driving a powered wheelchair. There is a separate manual for the controller and this is supplied with the wheelchair. Read through all the user manuals carefully before using the wheelchair for the first time. The information they contain is essential for the safe use and proper maintenance (cleaning). If any of the manuals are missing on delivery of your wheelchair, please contact your dealer immediately.

Warning

- As a wheelchair user, you are vulnerable when on the road. Remember that other road users may not always notice you.
- Observe traffic regulations.
- Avoid taking any deserted routes so that help is always on hand in any emergency situation.
- Adjust your speed and driving style to the conditions.
- To stop or to make an emergency stop, move the joystick to the neutral position or let go of it. The wheelchair will then brake automatically.
- Never take corners at full speed. Reduce your speed when cornering.
- Use the indicators when changing direction.
- When driving:
 - Do not press the on/off button.
 - Do not suddenly start driving in the opposite direction.
 If you do, the wheelchair will stop abruptly and jolt. Not only is this unpleasant, it can also lead to the wheelchair tipping over.
- Take extra care when powered adjustments (lift, tilt, backrest recline) are operated.

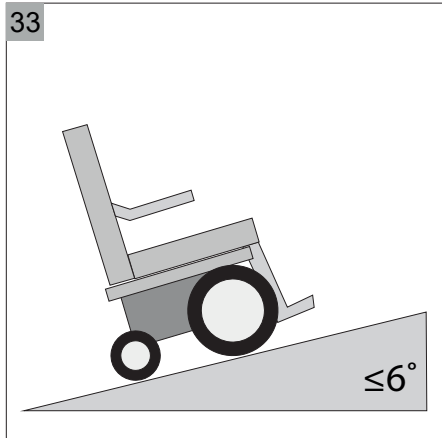
7.4. Driving on slopes or ramps

With all settings in the neutral position (see 6.1), slopes/ramps of $\leq 6^\circ$ (10.5%) are deemed to be part of the standard user environment for the FWD without stability being affected (figure 33).

Slopes or ramps outside the standard user environment

Driving on slopes/ramps that are steeper than the maximum safe slope may lead to safety risks in terms of stability. Driving on such slopes/ramps requires the user to practise extreme caution and full control. Always drive carefully and never experiment! Follow the instructions given under warnings!

33



The stability and performance of the wheelchair depend on many variables. Wheelchairs are adapted to individual users. For this reason these variables will be different from one wheelchair to another. You should therefore ensure that your dealer provides you with sufficient information about how to use the wheelchair and that the dealer informs you whether the specific adjustments or adaptations for your situation will affect the handling of the wheelchair.

⚠ Warning

- Always drive up and down slopes/ramps slowly, concentrating on what you are doing.
- Avoid any sudden, jolting movements.
- Avoid making an emergency stop on a slope/ramp.
- The braking distance on a slope can be considerably greater than on a flat surface.
- When on slopes/ramp, try to avoid changing direction as much as possible.
- Do not turn on a slope.
- Drive on slopes/ramps only when all adjustments (lift, tilt, recline) are in the neutral position.
- Never drive up or down a slope/ramp backwards.
- Do not drive on slopes/ramp with loose gravel or a sandy surface, as one of the drive wheels may slip or spin.
- Driving up or down a slope for long periods of time may result in the motor overheating.
- We always recommend an anti-tip device for driving down slopes in a FWD wheelchair.
- If you notice that your speed is being greatly reduced when driving up a slope, select a route that is less steep.
- Prevent the wheelchair from reaching high speeds when driving down slopes.

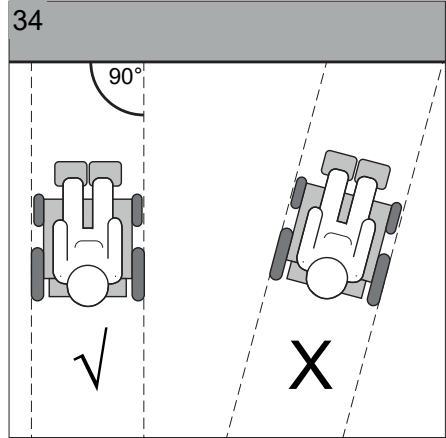
7.5. Obstacles

⚠ Warning

- Never descend steps/a flight of stairs in a wheelchair.
- Do not drive off of obstacles higher than 60 mm.
- Always drive onto or off an obstacle in forward direction.
- Drive on slopes/ramps only when all adjustments (lift, tilt, recline) are in the neutral position.

Mounting pavements

- Select the lowest section of the kerb.
- Position the wheelchair so it is facing the kerb, 50 cm in front of it. (figure 34).
- Move the joystick forwards. Drive onto the pavement without changing direction.
- Once the front wheels have mounted the pavement, you will need to maintain speed to get all of the wheels up onto it. If you are not able to mount the pavement, select a section where the kerb is lower.



Dismounting pavements

- Select the lowest section of the kerb. If in any doubt, do not take any risks and choose a different route.
- Position the front wheels so that they are facing the kerb.
- Slowly move the joystick forwards. Drive off of the pavement as carefully and as slowly as possible without changing direction.

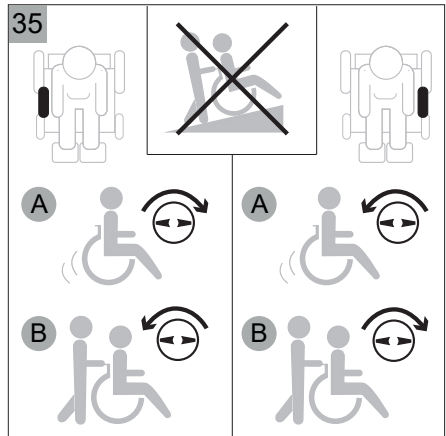
7.6. Pushing the wheelchair

The wheelchair can also be moved by pushing it. The motors need to be disengaged in order to make this possible. This is done using a freewheel switch, one for the left and one for the right motor (figure 35).

- 'Drive' position. The wheelchair can be moved by use of the controller, it cannot be pushed.
- 'Push' position. The wheelchair can be pushed, the controller cannot be used to drive the wheelchair.

⚠ Warning

- The freewheel lever was developed for the attendants of wheelchair users. The freewheel lever must never be operated by the user himself/herself. It should be used only by an attendant.



- The automatic parking brake works only in the 'Drive' position.
- The freewheel lever must be set to the 'Push' position only if the wheelchair is to be actually pushed. Set the freewheel switch to the 'Drive' position immediately after pushing is finished.
- Never use the 'Push' position on a slope! When the freewheel lever is in the 'Push' position, the automatic parking brake is turned off. This could then result in the wheelchair rolling downhill accidentally.

7.7. Storage of the wheelchair after use

When the wheelchair is not in use:

- It must be stored in a dry place where it will not be affected by the weather.
- Do not position the wheelchair in direct sunlight. Parts of the wheelchair could then become so hot that they could burn you.
- The ambient temperature for storage should be no lower than -20 °C and no higher than +65 °C.
- Disconnect batteries in case of longer storage without usage.

If you start using the wheelchair again after it has been in storage for a while, you must check it again (see 7.1).

8 Transport

8.1. Transporting the wheelchair in motor vehicles

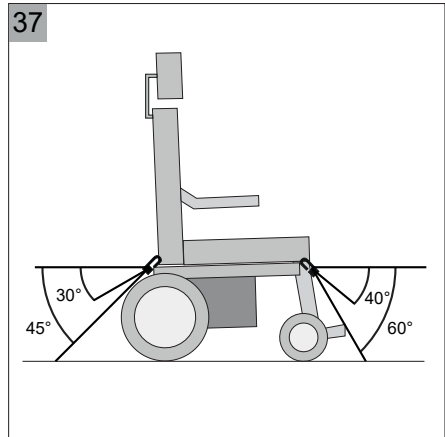
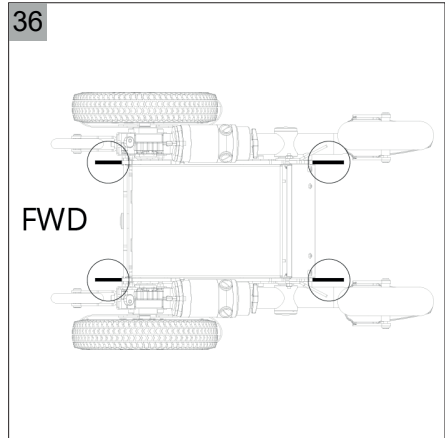
The following products are crash tested according to ISO 7176-19 (2008) considering the mentioned maximum passenger weight in the table.

	4-point strap	Dahl docking
SANGO xxl	160 kg	136 kg

⚠ Warning

Always take the following into account:

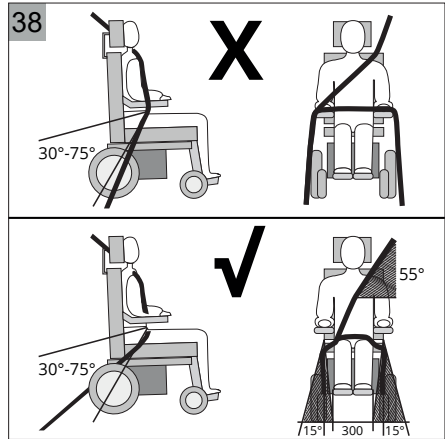
- Powered wheelchairs are too heavy to lift. Use suitable ramps for getting the wheelchair into a vehicle.
- Position the wheelchair in a forward-facing direction inside the vehicle.
- Any components that can easily be detached from the wheelchair must be removed (see 4). Store away any such components properly.
- The wheelchair should be secured only by using the particular provided securing points on the frame (figure 36).
- No changes or replacements must be made to the anchorage points on the wheelchair, or to constructional elements or parts of the frame without consulting DIETZ-Power.
- Use a 4-point strap tiedown system approved to ISO10542 standards and suitable for the total weight of the wheelchair. The weight of the wheelchair will depend on its composition. A list of some of the options and how much they contribute to the total weight of the wheelchair can be found in the specification table (see 9). Always take the total weight of the wheelchair into account in order to ensure that the tiedown system is the correct one.
- The tiedown straps should be attached as close as possible to the wheelchair at an angle of 45 degrees (figure 37) and tightened securely in accordance with the instructions of the manufacturer of the tiedown system.
- The wheelchair should be inspected by a DIETZ-Power authorised dealer before re-use following involvement in any type of vehicle impact.



⚠ Warning

Wheelchairs are not designed to function as seats inside a vehicle and do not provide the same level of safety as a normal seat, irrespective of how well they are secured inside the vehicle. DIETZ-Power recommends that wheelchair users transfer to a standard seat whenever possible. If this is not possible, then the following should be taken into account:


- Ask the vehicle operator whether the vehicle is suitable, insured and equipped for the transportation of a user seated in a wheelchair.
- Set all adjustments of the wheelchair in the neutral position (see 6.1).
- Ensure that the controller is turned off.
- A headrest must be fitted and used during transportation.
- Any belt attached to the wheelchair will be purely for positioning purposes and should not be used or relied on for occupant restraint in a moving vehicle.
- It is vital that you are secured with a three-point seat belt attached to the floor and the wall of the vehicle during transportation.
- The pelvic part of the three-point seat belt must be adjusted as tightly as possible consistent with user comfort, at an angle between 30° and 75° and should not be held away from the body by wheelchair components (figure 38).
- Both the pelvic and chest belts should be used to reduce the risk of head and chest injuries in the event of colliding with parts in the car.

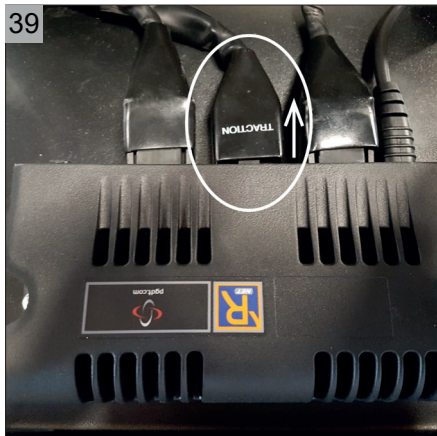


8.2. Special transport

In addition to being transported by road, the wheelchair can also be transported by rail, sea or air. Its batteries may be transported in accordance with IATA regulations.

Warning

- Before travelling, contact the organisation providing transport. Your tour operator will be able to provide you with information about any special requirements/instructions.
- Take all the user manuals delivered with your wheelchair with you. For more information about
 - reducing the wheelchair in size (see 4).
 - driving or pushing the wheelchair (see 7.6).
 - the batteries in your wheelchair (see 9.2).
 - the dimensions and weight of the wheelchair (see 10).
 -  CONTROLLER for locking the controller (see 4).
- Ensure that all detachable components are mounted on your wheelchair properly or that they are packed separately and labelled so that they do not get lost during loading and unloading.



In some cases the power cable of the controller needs to be disconnected (see figure 39):

1. Loosen the two knobs of the cover between the wheels.
2. Remove the fuse cover.
3. Remove the fuse cable.

9 Wheelchair maintenance

Contact your dealer for information regarding specific adjustments, maintenance and repairs. Always state the wheelchair type, year of construction and identification number. These can be found on the identification plate (see 2.4). For the proper maintenance of your wheelchair, adhere to the following schedule:

Daily	Charge batteries after each use (see 9.2)
Weekly	Check tyre pressure and inflate tyres if necessary (see 9.3)
Monthly	Clean the wheelchair and its upholstery (see 9.1)
Annually	Have your wheelchair checked by your dealer once a year or, if under intensive use, once every six months. Take this manual with you and have the dealer fill in details on the schedule below.

Use only original DIETZ-Power parts for maintenance and repairs.											
Model	Sango XXL FWD										
Serial number											
Year	1	2	3	4	5	Year	1	2	3	4	5
Date						Date					
Operation						Chassis					
Horn						Parts tightened					
On/off switch						Condition					
Output plug						Controls					
Joystick						Upholstery					
Brakes						Seating system					
Programme configuration						Backrest					
						Armrests					
Batteries						Electronics					
Level						Cable condition					
Connectors						Connectors					
Discharge level						Driving					
Wheels						Forwards					
Wear						Reverse					
Pressure						Emergency stop					
Bearings						Turning					
Wheel nuts						Uphill/downhill					
Motors						Obstacles					
Wiring						Parking brake					
Connectors											
Noise											
Brakes											
Remarks:											

9.1. Cleaning the wheelchair and its upholstery

Warning

- When cleaning the wheelchair, ensure that the controller is turned off. If the joystick is accidentally touched, this may cause the wheelchair to start moving or the powered options to be operated.
- Take care when using water because of the system being electronic.
- Clean the upholstery and the dirty parts of the wheelchair using a damp cloth and household soap. Then rub dry using a soft, dry cloth.
- Never use abrasive or aggressive detergents, as these may scratch surfaces.
- Do not use any organic solvents, such as thinner, benzine or white spirit.
- Do not chemically clean the upholstery.
- Do not iron or spin-dry the upholstery.

9.2. Batteries


The wheelchair is fitted with 'dry' gel batteries. The batteries are fully sealed and require no maintenance.


Warning

- The use of 'wet' batteries is not permitted.
- Battery capacity is reduced in winter. When there is a light frost, capacity is around 75% of normal capacity. At temperatures below -5 °C, capacity is reduced by approximately 50%. This reduces the operating range.
- Ensure that the batteries are always well charged. Long-term non-usage of the batteries can damage them.
- Do not use the wheelchair if the batteries are almost flat and never drive until the batteries are completely flat. Doing so can seriously damage them and you would also mean running the risk of coming to a standstill.
- The batteries contain gel. Damaged batteries pose a serious threat to health. Always follow the instructions on the batteries.

Charging

Technical specifications (see 10).

 CHARGER to check if the charger is suitable for use with the wheelchair batteries and for instructions on how to activate the battery charger.

 CONTROLLER for the right connection for the charger plug.

The contents of the manuals are vital in terms of the safe use of the wheelchair. If any of the manuals are missing on delivery of your wheelchair, please contact your dealer immediately.

Under normal use, the batteries will need to be charged every night. The battery charger indicates when the batteries are fully charged. Depending on how flat the batteries are, it can take up to 12 hours to fully charge them.

Replacement

If the battery capacity is steadily decreasing and the wheelchair can only be used for very short trips, this means that the batteries have reached the end of their lifespan. They then need to be replaced. Consult your dealer.

9.3. Tyres

In order to ensure optimum performance of your wheelchair, it is very important to keep its tyres at the right pressure. The correct pressure can also be found on the side of the tyres.


Wheel	Maximum tyre pressure
9" castor wheel	3,5 bar
14" drive wheel	3,5 bar

Warning

Never exceed the maximum tyre pressure.

If tyres are too soft, the handling of the wheelchair will be reduced. Driving the wheelchair will also require more energy, resulting in a greater drain on the batteries. Driving with soft tyres also unnecessarily increases tyre wear.

Warning

 SERVICE for comprehensive details relating to tyre repairs (qualified specialists only). Before starting any repair work on the tyres, first fully deflate them.

9.4. Reuse of the wheelchair

The powered wheelchair is suitable for reuse.

The number of times it can be reused depends on the material wear conditions and the functional capabilities of the respective product.

If the wheelchair is passed on to a new user or specialist dealer for reuse, please remember to hand over all technical documents that are necessary for safe usage. The wheelchair must be cleaned and disinfected, and must be checked for damage and approved by a specialist. To do so, please check all the inspection points listed in the maintenance schedule (see 9).

When reusing a wheelchair, spray or wipe all parts with an alcohol-based surface disinfectant for medical devices (max. 70% propyl alcohol).

Observe the use and processing instructions issued by the disinfectant manufacturer.

Safe disinfection cannot be guaranteed on upholstery parts featuring seams and textiles. In this case we recommend to replace these parts (e.g. back- and seat upholstery).

9.5. Disposing of the wheelchair

The technical lifetime of the wheelchair is influenced by the extent to which it is used. Under normal use and with the prescribed maintenance, the expected technical lifetime of the wheelchair is approximately seven years. In order to derive maximum benefit from the lifetime of the wheelchair, ensure that it undergoes regular maintenance (see 9).



If your wheelchair is no longer required or needs to be replaced, it will usually be possible to arrange for your dealer to take it back. If this should not be possible, consult with your local authority to find out if it can be recycled or if the materials used in it can be processed in an environmentally friendly way.

Various plastics and metals were used in the manufacture of the wheelchair. It also contains electronic components that should be disposed of appropriately. The batteries constitute chemical waste.

10 Technical specifications



10.1. Standards and requirements

This product complies with the provisions of the Medical Devices Directive and therefore carries the CE mark.

The wheelchair conforms to the following standards and requirements. This has been verified by independent test institutes.

Standard	Description	Weight of test dummy
NEN-EN 12182 (2012)	Assistive products for persons with disability - General requirements and test methods	250 kg
NEN-EN 12184 (2014) Class B	Electrically powered wheelchairs, scooters and their chargers - Requirements and test methods	250 kg
ISO 7176-19 (2009)	Wheeled mobility devices for use as seats in motor vehicles with 4-point strap	102 kg

Standard	Description
EU directive 93/42/EEC	Applicable requirements as stated in Annex 2
ISO 7176-8	Requirements and test methods for static, impact and fatigue strengths
ISO 7176-9	Climatic tests for powered wheelchairs
ISO 7176-14	Power and control systems for electric wheelchairs - Requirements and test methods
EN1021-2	Assessment of the ignitability of upholstered furniture

10.2. Specifications operating force

	Min.	Max.	Unit
Joystick	2,5	3,5	N
Swinging away the controller	20	50	N
Electronic switches	2,1	3,5	N
Parking brake	34,8	44,3	N
Attaching the charger plug	7,8	13,9	N

10.3. Specifications product

Manufacturer	DIETZ Power B.V. - Vlamovenweg 12 - 5708 JV Helmond			
User weight	max. 250 kg			
Class	B			
	Model / type	SANGO xxl FWD		
Specifications*¹		min.	max.	Unit
Overall length incl. leg rest* ²		985	1680	mm
Overall width* ²		695	700	mm
Overall height excl. headrest		1155		mm
Transport length incl. leg rest		985		mm
Transport width		695		mm
Transport height		650		mm
Total mass incl. batteries* ³		163,5		kg
Mass of the heaviest part		120		kg
Static stability downhill* ⁴		10 / 17,5		° / %
Static stability uphill* ⁴		10 / 17,5		° / %
Static stability sideways* ⁴		10 / 17,5		° / %
Theoretical distance range* ⁵		30		km
Dynamic stability uphill		6 / 10,5		° / %
Obstacle climbing* ⁶		60		mm
Forward speed		6		km/h
Braking distance at maximum speed		1	2,9	m
Seat plane angle		0 / 4 / 8		°
Effective seat depth		480	550	mm
Effective seat width		540	650	mm
Seat surface height at front		455	515	mm
Backrest angle		90	120	°
Backrest height		520	570	mm
Footrest to seat distance		380	550	mm
Leg rest to seat surface angle		10	75	°
Armrest to seat distance		180	280	mm
Turning radius* ⁷		650		mm
Safe slope		6 / 10,5		° / %
Ground clearance* ⁶		60		mm
Seat cushion weight		3,8	4,7	kg
Backrest cushion weight		4,6	5,7	kg
Leg rest weight		2	4,2	kg
Headrest weight		2,5	2,8	kg
Measured sound level		63,2		dB

- *1 Specifications were measured with 9» and 14» wheels, powered legrests and in most extreme positions (for min. most stripped version and max. most extended version)
- *2 Concerning access to emergency escape routes; the wheelchair max. overall length / width can exceed the values as recommended in the standards.
- *3 Measured with powered legrest, lift/tilt module and powered backrest.
- *4 Measured with the powered adjustments in the neutral position. With the powered adjustments in the most extreme positions the specifications will be 9° / 15.8%.
- *5 The following will have a negative impact on the operating range: obstacles, rugged terrain, driving up or down slopes, temperatures below freezing point and frequent use of powered options.
- *6 Specifications mentioned are measured with the max user weight (250 kg).
- *7 Measured without legrest.

10.4. Specifications batteries

Battery capacity	78 Ah	100 Ah	Unit
Battery dimensions (w x d x h)	258 x 168 x 210	260 x 168 x 215	mm
Battery weight, set	48,4	54,2	kg
Maximum charging current	12	12	A
Maximum charging voltage	24	24	VDC
Connector type	📖 CONTROLLER		
Insulation	Class 2 double insulated		

10.5. Electrical diagrams

📖 CONTROLLER for the battery diagram

📖 SERVICE for the electrical wiring diagram (see 5).


11 Warranty conditions

Dealers and/or users have statutory (legal) rights in relation to the purchase of consumer products. The warranty conditions applying to products/parts sold by DIETZ Power B.V. are set out below. The warranty applies to any product/part that becomes defective or needs to be repaired or replaced as the result of a manufacturing fault or material defect within the stated warranty period.

Term	Definition
Manufacturer	The warranty provider: DIETZ Power B.V. Vlamovenweg 12 5708 JV Helmond The Netherlands
Dealer	the other party with which DIETZ Power B.V. enters into a Contract for the (re)sale of Products, on the basis of a distribution agreement or otherwise
User	the party by whom the Products are intended to be used;
Warranty period	Duration of the warranty
Product/part	The product or part supplied by DIETZ Power B.V.
Option/accessory	Part supplied along with the original product as an add-on to the standard model.
Spare part	Durable part bought after the original product was purchased.
Wear part	Part subject to natural wear under normal usage.

11.1. Warranty period

The warranty period starts on the date the manufacturer supplies the product/part to the dealer. The warranty period shall not be extended following repair.

Product/part	Warranty period
Frame/assembly, including supplied options and accessories	2 years
Drive system	1 year
Electronics, such as the controller and electronic components	1 year
Spare parts	1 year from invoice date
Wear parts, including upholstery	40 days from invoice date
Batteries	 BATTERY
Tyres	no warranty

11.2. Warranty provisions

The manufacturer shall not provide any warranty if:

- the product has been passed on to a different owner. The warranty applies only to the first owner to whom the manufacturer supplied the product/parts. The warranty is not transferable and applies only to those models bought from the manufacturer;
- the product/part is damaged as a result of carelessness, an accident or improper use;
- the product/part has not been maintained in accordance with the maintenance instructions stated in the user manual;
- non-original parts have been used;
- the original type plate is no longer attached to the product;
- external/internal changes have been made to the product features. If a dealer wants to modify a product/part contrary to the instructions given in the user manual, the dealer must first consult with the manufacturer;
- force majeure, such as flooding or fire, is involved.

If the provisions stated provide no resolution, the manufacturer's decision shall be final.

11.3. Warranty procedure

If a defect is identified in a product or part and it needs to be sent to the manufacturer, the dealer must fill in the returns form in full. The returns form will be used as the guiding document for the whole warranty procedure.

Procedure for making claims under the warranty:

- If a product/part becomes defective or needs to be repaired or replaced, the user should contact his/her local dealer. The dealer can then make a claim under the warranty if required.
- On identifying the defect, the dealer informs the manufacturer immediately, providing full information relating to the nature of the defect affecting the product/part supplied by the manufacturer;
- If it is possible for the warranty claim to be dealt with by telephone or e-mail and the manufacturer deems the warranty claim to be legitimate, the dealer and the manufacturer consult with each other to determine whether the manufacturer will send a replacement product or part to the dealer free of charge. In such cases, the dealer must
 - destroy the defective product/part on the instructions of the manufacturer.
 - Alternatively, the defective product/part must be returned to the manufacturer. In the case of a return, the manufacturer shall be responsible for arranging and paying for transport;
- If it is not possible to deal with a warranty claim by telephone or e-mail, the dealer and the manufacturer consult with each other to determine:
 - whether the dealer should send the defective product/part back to the manufacturer. The manufacturer then assesses the product/part in question. If the manufacturer deems the claim to be justified, the product or part is repaired and/or replaced. The costs for returning the product/part to the dealer are to be borne by the dealer;

- whether the dealer should order a new product/part from the manufacturer. The dealer then receives an invoice detailing the shipping costs involved. The dealer arranges and pays for the defective product/part to be sent to the manufacturer. Once the manufacturer has received the defective product/part, it is assessed. If the manufacturer deems the warranty claim to be justified, the dealer receives a credit note for the new product/part ordered and the shipping costs involved.

If the warranty claim is deemed to be unjustified, the dealer is informed and the manufacturer makes an offer for the costs of replacement parts and/or provides an indication of the cost of repair. Once the dealer agrees to this, the product/part is repaired and/or replaced at the dealer's expense and returned at the dealer's expense. The dealer can also opt to have the product/part returned without repair at the dealer's own expense.

2017-05

If you have any questions, please contact your local dealer:



SANGO xxl is a product manufactured by:

DIETZ-Power B.V.
Vlamovenweg 12
5708 JV Helmond
The Netherlands
+31 492 792 196
info@DIETZ-Power.com
www.DIETZ-Power.com

If there is no authorised dealer near you, please contact DIETZ-Power.