

TOMTAR MR-S

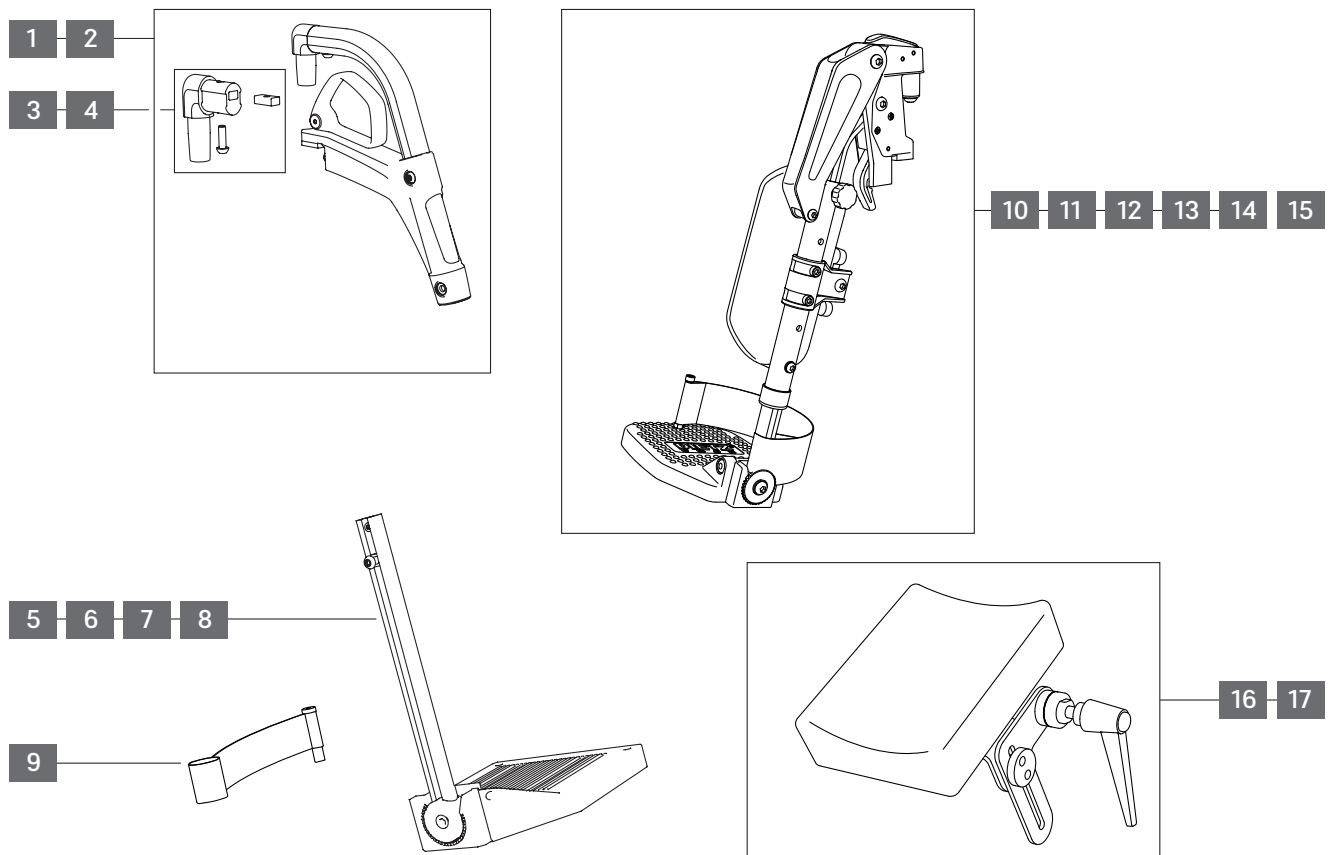
Standard wheelchair, foldable

TOMTAR MR-LG

Lightweight wheelchair, foldable



Assembly	Product name	Item no.	Version
Legrests	TOMTAR MR-S	108039 108042 108045 108048 108051 108139 108142 108145 108148 108151	V 6.0 2024-02
	TOMTAR MR-LG	109039 109042 109045 109048 109051 109139 109142 109145 109148 109151	



Position	QTY./assembly	TOMTAR MR-S	TOMTAR MR-LG	Item no.	Description	QTY. supply
1	1	■	■	196140	Legrest upper part, aluminium, set complete, left	pc.
2	1	■	■	196141	Legrest upper part, aluminium, set complete, right	pc.
3	1	■	■	196150	Pivot pin, legrest, incl. screw, left	pc.
4	1	■	■	196151	Pivot pin, legrest, incl. screw, right	pc.
5	1	■	■	196186	Legrest lower part, SW 390 - 420 mm, left, incl. foot plate 165 mm, w/o heel strap	pc.
6	1	■	■	196187	Legrest lower part, SW 390 - 420 mm, right, incl. foot plate, 165 mm, w/o heel strap	pc.
7	1	■	■	196144	Legrest lower part, SW 450 - 510 mm, left, incl. foot plate 200 mm, w/o heel strap	pc.
8	1	■	■	196145	Legrest lower part, SW 450 - 510 mm, right, incl. foot plate 200 mm, w/o heel strap	pc.
9	2	■	■	196088	Heel strap, incl. mounting screw	pc.
10	1	■	■	194023	Elevating legrest complete, SW 390 mm, left	pc.
11	1	■	■	194024	Elevating legrest complete, SW 390 mm, right	pc.
12	1	■	■	194025	Elevating legrest complete, SW 420 - 450 mm, left	pc.
13	1	■	■	194026	Elevating legrest complete, SW 420 - 450 mm, right	pc.
14	1	■	■	194027	Elevating legrest complete, SW 480 - 510 mm, left	pc.
15	1	■	■	194028	Elevating legrest complete, SW 480 - 510 mm, right	pc.
16	1	■	■	196094	Amputation legrest set complete, right	pc.
17	1	■	■	196095	Amputation Legrest set complete, left	pc.

TOMTAR MR-S

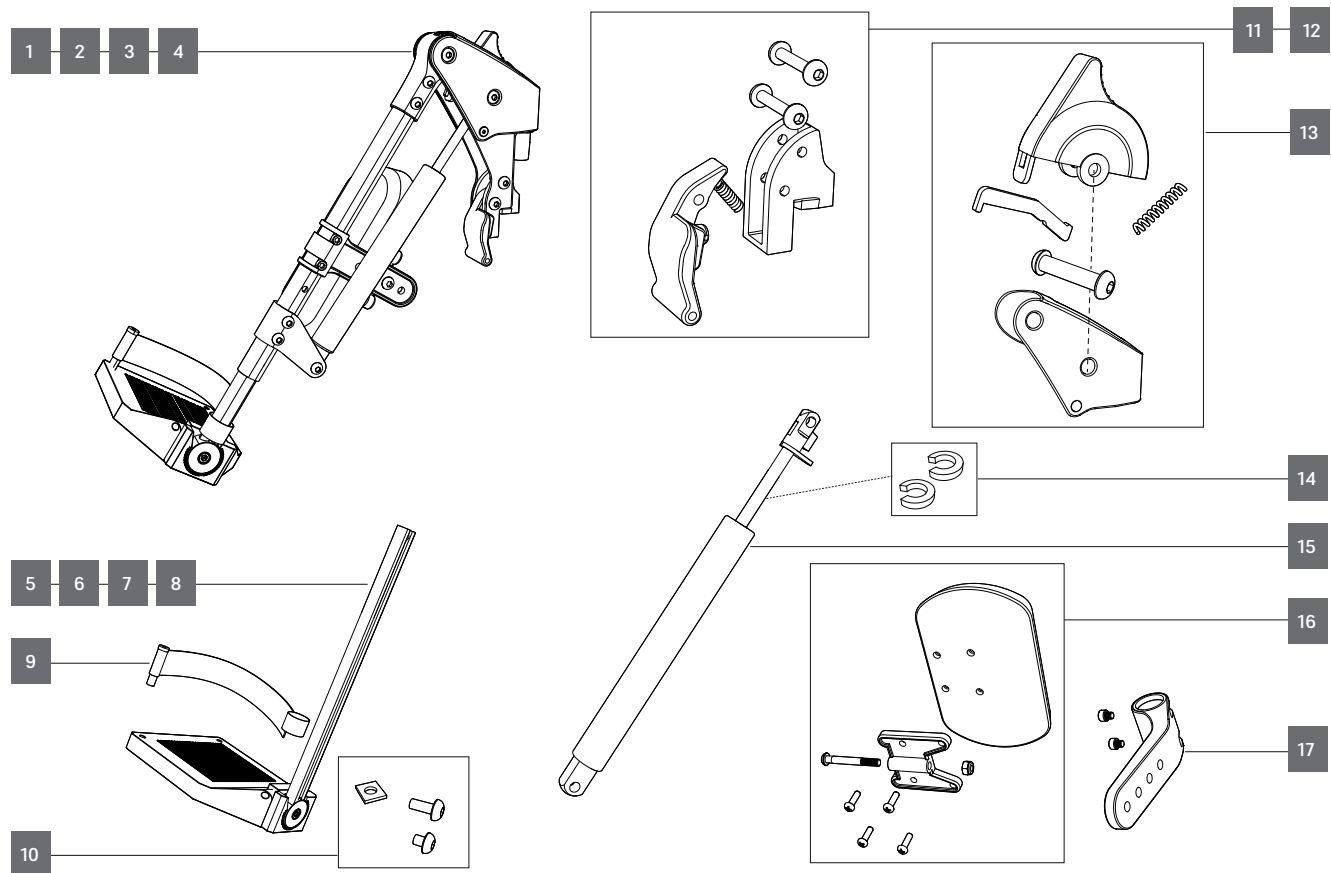
Standard wheelchair, foldable

TOMTAR MR-LG

Lightweight wheelchair, foldable



Assembly	Product name	Item no.	Version
Legrest, angle adjustable gas spring	TOMTAR MR-S	108039 108042 108045 108048 108051 108139 108142 108145 108148 108151	V 6.0 2024-02
	TOMTAR MR-LG	109039 109042 109045 109048 109051 109139 109142 109145 109148 109151	



Position	QTY./assembly	TOMTAR MR-S	TOMTAR MR-LG	Item no.	Description	QTY. supply
1	1	■	■	194030	Elevating legrest, lt., SW 360-440 mm, continuously angle adjustable gas spring	pc.
2	1	■	■	194031	Elevating legrest, rt., SW 360-440 mm, continuously angle adjustable gas spring	pc.
3	1	■	■	194034	Elevating legrest, lt., SW 450-540 mm, continuously angle adjustable gas spring	pc.
4	1	■	■	194035	Elevating legrest, rt., SW 450-540 mm, continuously angle adjustable gas spring	pc.
5	1	■	■	196320	Legrest lower part 335 mm, SW 360-440 mm, footplate 165 mm, w/o heelstrap, left	pc.
6	1	■	■	196321	Legrest lower part 355 mm, SW 360-440 mm, footplate 165 mm, w/o heelstrap, left	pc.
7	1	■	■	196324	Legrest lower part 355 mm, SW 450-540 mm, footplate 200 mm, w/o heelstrap, right	pc.
8	1	■	■	196325	Legrest lower part 355 mm, SW 450-540 mm, footplate 200 mm, w/o heelstrap, left	pc.
9	1	■	■	196088	Heel strap, incl. mounting screw, 560 mm, black	pc.
10	1-2	■	■	196326	Fixation set lower legrest part	set
11	1-2	■	■	196327	Swing away release lever assembly elevating legrest, complete, right	set
12	1-2	■	■	196333	Swing away release lever assembly elevating legrest, complete, left	set
13	1-2	■	■	196328	Gas spring release lever assembly complete	set
14	1-2	■	■	196329	Gas spring elevating legrest 2.0	pc.
15	1-2	■	■	196330	Spacer set 8 mm for gas spring angle limit (set = 5 pc)	set
16	1-2	■	■	196331	calf pad with bracket and screws assembled	set
17	1-2	■	■	196332	calf pad connector with fixation screws	set

TOMTAR MR-S

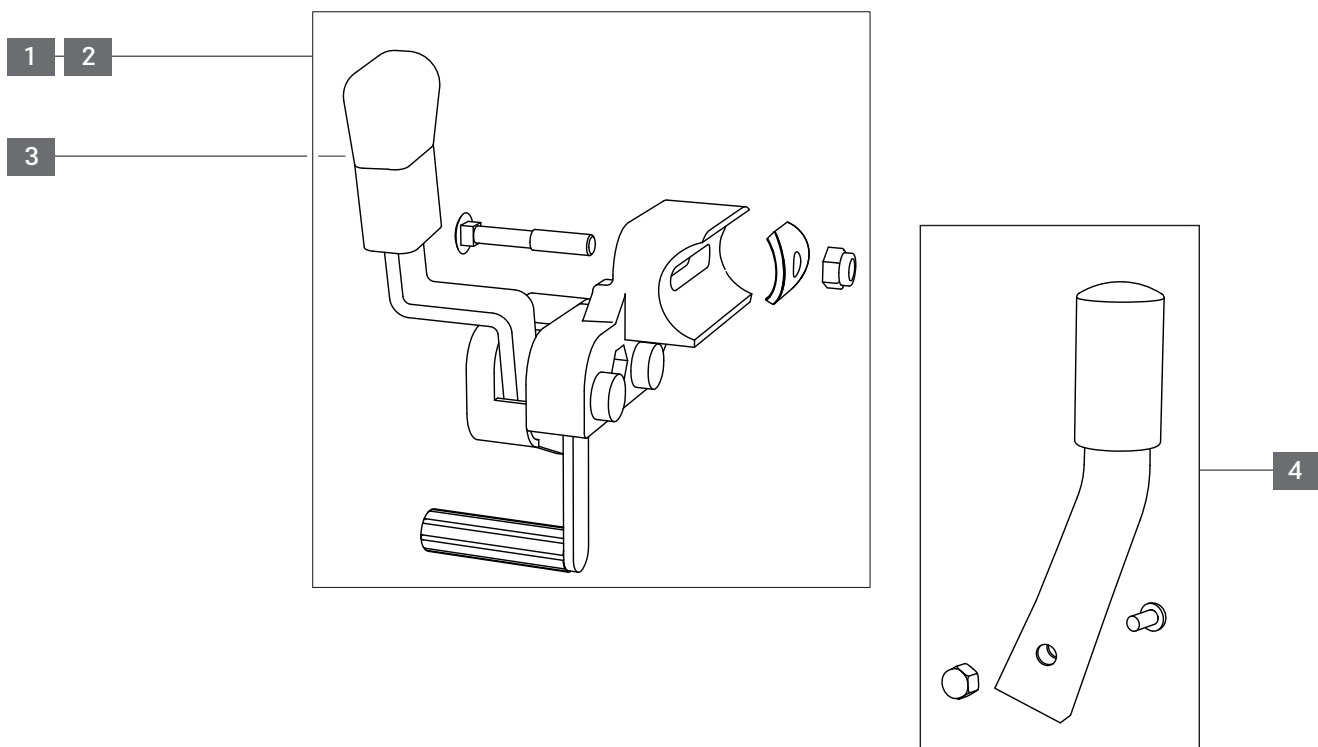
Standard wheelchair, foldable

TOMTAR MR-LG

Lightweight wheelchair, foldable



Assembly	Product name	Item no.	Version
Park brake	TOMTAR MR-S	108039 108042 108045 108048 108051 108139 108142 108145 108148 108151	V 6.0 2024-02
	TOMTAR MR-LG	109039 109042 109045 109048 109051 109139 109142 109145 109148 109151	



Position	QTY./ assembly	TOMTAR MR-S	TOMTAR MR-LG	Item no.	Description	QTY. supply
1	1	■	■	196020	Park brake, right, incl. screw	pc.
2	1	■	■	196021	Park brake, left, incl. screw	pc.
3	2	■	■	196022	Rubber grip, park brake	pc.
4	2	■	■	196210	Brake lever extension, left/right incl. screws (pair)	pair

TOMTAR MR-S

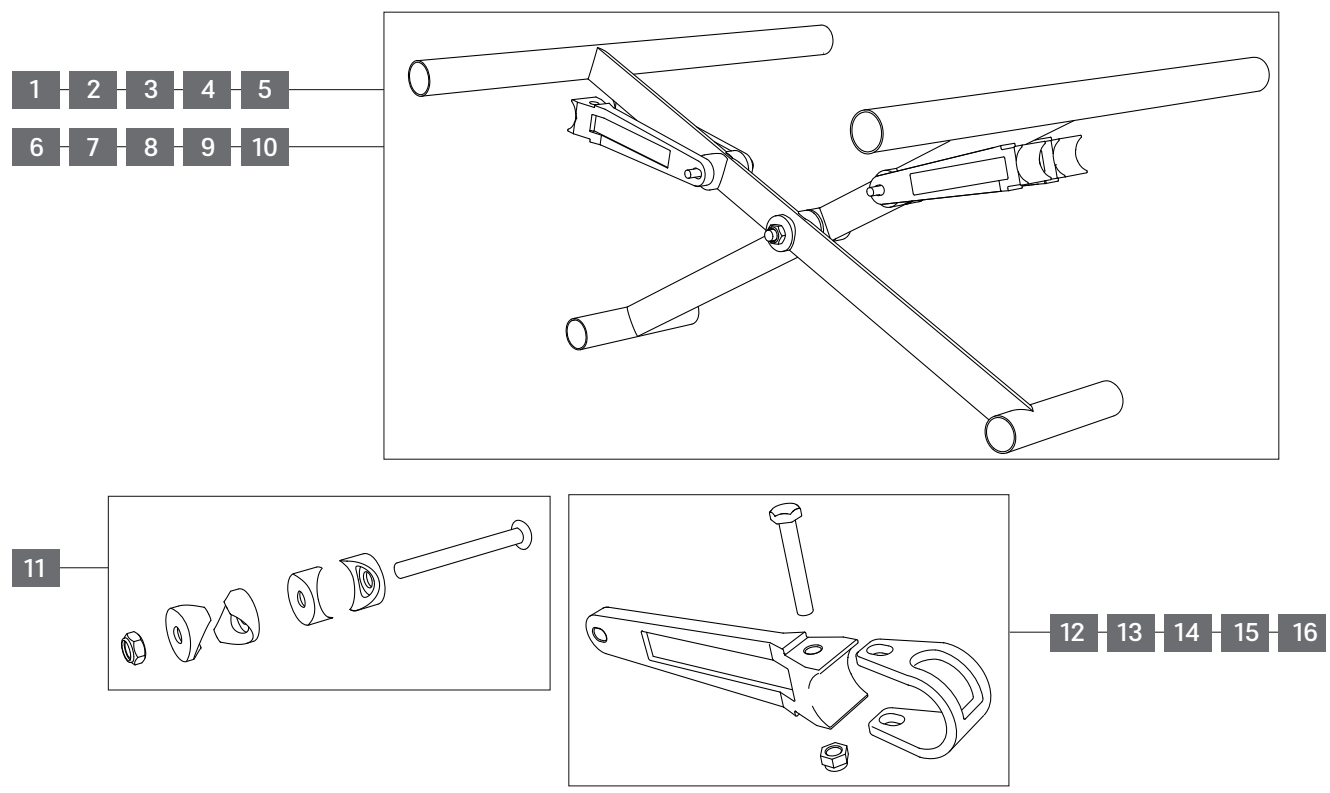
Standard wheelchair, foldable

TOMTAR MR-LG

Lightweight wheelchair, foldable



Assembly	Product name	Item no.	Version
Cross brace	TOMTAR MR-S	108039 108042 108045 108048 108051 108139 108142 108145 108148 108151	V 6.0 2024-02
	TOMTAR MR-LG	109039 109042 109045 109048 109051 109139 109142 109145 109148 109151	



Position	QTY./assembly	TOMTAR MR-S	TOMTAR MR-LG	Item no.	Description	QTY. supply
1	1		■	196100	Cross brace, set complete SW 390 mm	pc.
2	1		■	196101	Cross brace, set complete SW 420 mm	pc.
3	1		■	196102	Cross brace, set complete SW 450 mm	pc.
4	1		■	196103	Cross brace, set complete SW 480 mm	pc.
5	1		■	196104	Cross brace, set complete SW 510 mm	pc.
6	1	■		196113	Mid-axle set complete, cross brace	pc.
7	1	■		196114	Cross brace, set complete SW 420 mm	pc.
8	1	■		196115	Cross brace, set complete SW 450 mm	pc.
9	1	■		196116	Cross brace, set complete SW 480 mm	pc.
10	1	■		196117	Cross brace, set complete SW 510 mm	pc.
11	1	■	■	196105	Mid-axle set complete, cross brace	pc.
12	2	■	■	196106	Cross brace mounting rail, SW 390 mm, incl. clamp, screw & nut	pc.
13	2	■	■	196107	Cross brace mounting rail, SW 420 mm, incl. clamp, screw & nut	pc.
14	2	■	■	196108	Cross brace mounting rail, SW 450 mm, incl. clamp, screw & nut	pc.
15	2	■	■	196109	Cross brace mounting rail, SW 480 mm, incl. clamp, screw & nut	pc.
16	2	■	■	196110	Cross brace mounting rail, SW 510 mm, incl. clamp, screw & nut	pc.

TOMTAR MR-S

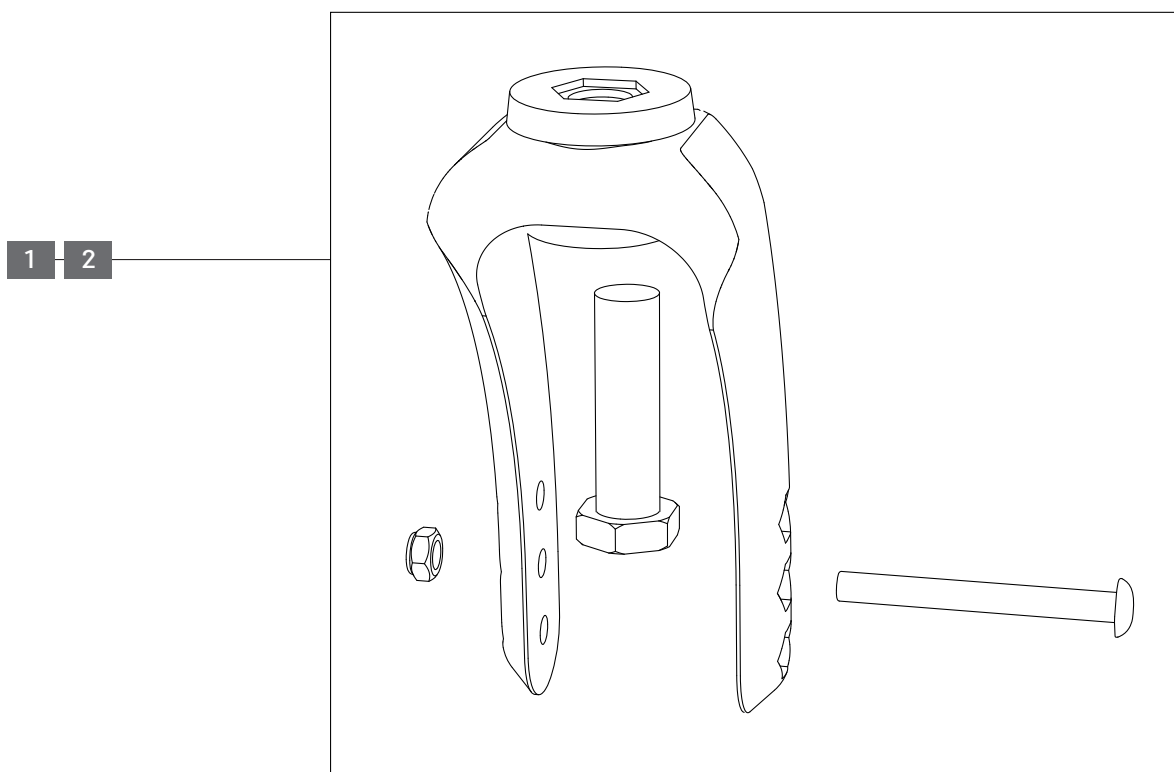
Standard wheelchair, foldable

TOMTAR MR-LG

Leightweight wheelchair, foldable



Assembly	Product name	Item no.	Version
Wheel fork	TOMTAR MR-S	108039 108042 108045 108048 108051 108139 108142 108145 108148 108151	V 6.0 2024-02
	TOMTAR MR-LG	109039 109042 109045 109048 109051 109139 109142 109145 109148 109151	



Position	QTY./ assembly	TOMTAR MR-S	TOMTAR MR-LG	Item no.	Description	QTY. supply
1	2		■	196015	Wheel fork set complete with fixing screw (M), swivel wheel	pc.
2	2	■		196016	Wheel fork set complete with fixing screw (MF), swivel wheel	pc.

TOMTAR MR-S

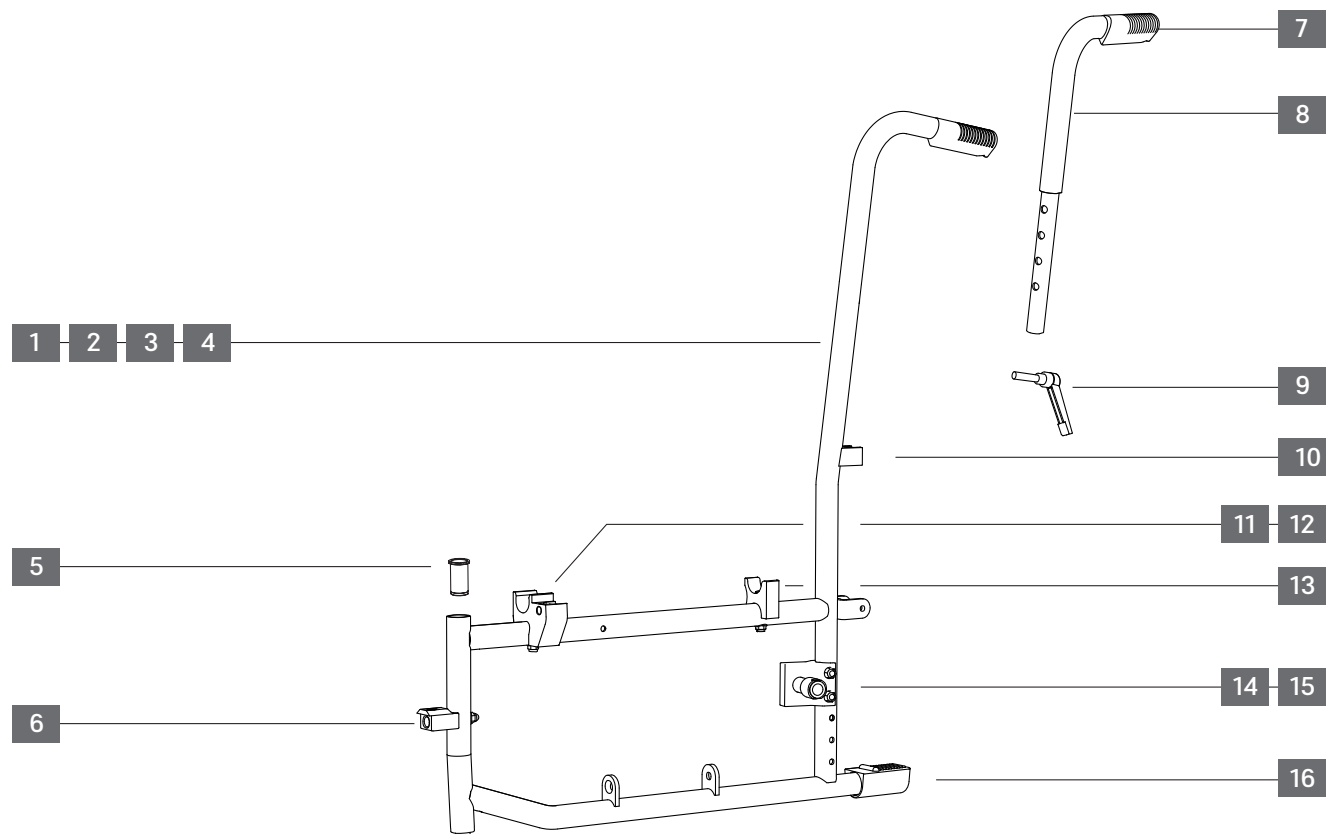
Standard wheelchair, foldable

TOMTAR MR-LG

Lightweight wheelchair, foldable



Assembly	Product name	Item no.	Version
Side frame	TOMTAR MR-S	108039 108042 108045 108048 108051 108139 108142 108145 108148 108151	V 6.0 2024-02
	TOMTAR MR-LG	109039 109042 109045 109048 109051 109139 109142 109145 109148 109151	



Position	QTY./assembly	TOMTAR MR-S	TOMTAR MR-LG	Item no.	Description	QTY. supply
1	1		■	196122	Sideframe, right	pc.
2	1		■	196123	Sideframe, left	pc.
3	1	■		196120	Sideframe, right	pc.
4	1	■		196121	Sideframe, left	pc.
5	2	■	■	196132	Guide bushing for locking pin, legrest	pc.
6	2	■	■	196131	Socket , legrest, incl. screw	pc.
7	2	■	■	196005	Grip left/right, pair	pair
8	2		■	196006	Pushhandle, incl. grip	pc.
9	2		■	196130	Locking lever for pushhandle	pc.
10	2	■	■	196075	Sideguard locking rear, incl. screw, left/right	pc.
11	1	■	■	196009	Front socket, right, incl. screw, sideguard	pc.
12	1	■	■	196010	Front socket, left, incl. screw, sideguard	pc.
13	2	■	■	196008	Rear socket cross brace, incl. screw, right/left	pc.
14	2	■	■	196030	Drive wheel adapter cpl. set, right/left	pc.
15	2	■	■	196031	Drive wheel adapter cpl. set, drum brake right/left	pc.
16	2	■	■	196004	Tipping aid wheelchair, black	pc.

TOMTAR MR-S

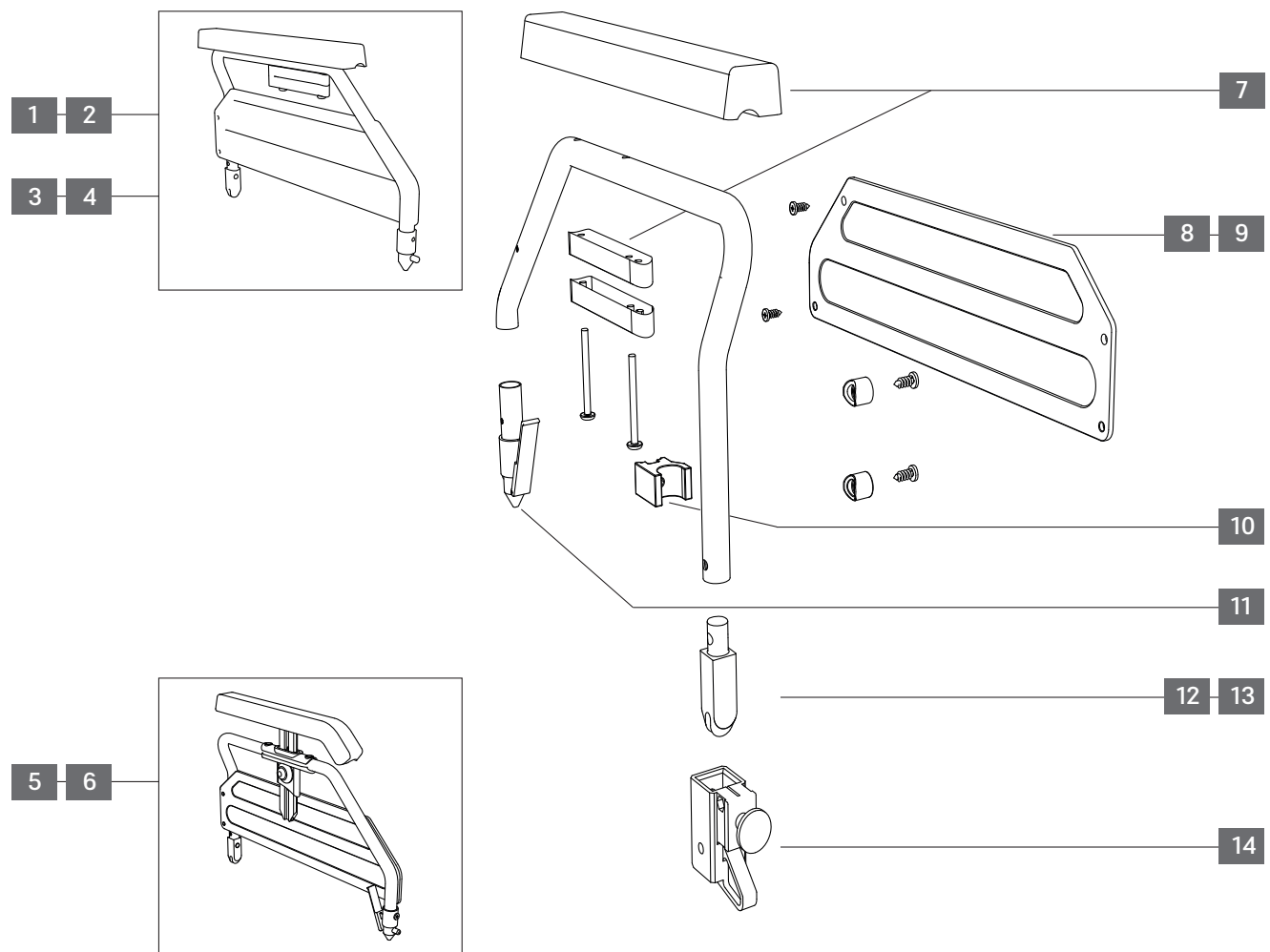
Standard wheelchair, foldable

TOMTAR MR-LG

Lightweight wheelchair, foldable



Assembly	Product name	Item no.	Version
Sideguard	TOMTAR MR-S	108039 108042 108045 108048 108051 108139 108142 108145 108148 108151	V 6.0 2024-02
	TOMTAR MR-LG	109039 109042 109045 109048 109051 109139 109142 109145 109148 109151	



Position	QTY./ assembly	TOMTAR MR-S	TOMTAR MR-LG	Item no.	Description	QTY. supply
1	1		■	196124	Sideguard set complete, right incl. armpad	pc.
2	1		■	196125	Sideguard alu set complete, left incl. armpad	pc.
3	1	■		196068	Sideguard set complete, right incl. armpad	pc.
4	1	■		196069	Sideguard alu set complete, left incl. armpad	pc.
5	1	■	■	196214	Sideguard hight adj., right, set complete	pc.
6	1	■	■	196215	Sideguard hight adj., left, set complete	pc.
7	2	■	■	196072	Armpad PU, incl. height adjustment & screws, left/right	pc.
8	1	■	■	196077	Sideskirt black left incl. 4 screws	pc.
9	1	■	■	196078	Sideskirt black right incl. 4 screws	pc.
10	2	■	■	196075	Sideguard locking rear, incl. screw, left/right	pc.
11	2	■	■	196073	Release pin front. incl. screw, sideguard	pc.
12	2		■	196033	Pivot pin incl. screw, sideguard(14,5 mm Ø), left/right	pc.
13		■		196076	Pivot pin incl. screw, sideguard (16,4 mm Ø), left/right	pc.
14	2	■	■	196074	Rear Socket, sideguard, incl. screw	pc.

TOMTAR MR-S

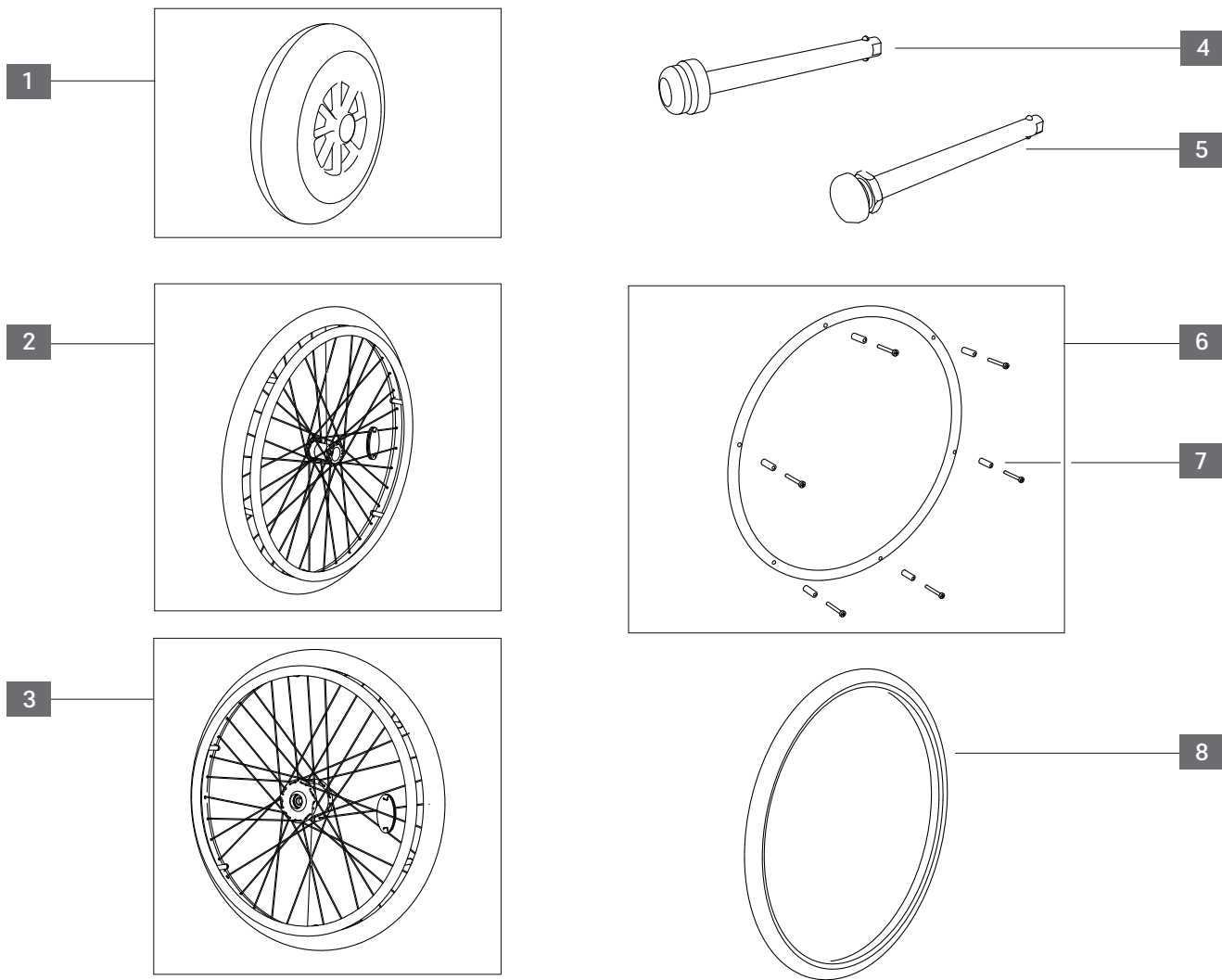
Standard wheelchair, foldable

TOMTAR MR-LG

Lightweight wheelchair, foldable



Assembly	Product name	Item no.	Version
Wheels	TOMTAR MR-S	108039 108042 108045 108048 108051 108139 108142 108145 108148 108151	V 6.0 2024-02
	TOMTAR MR-LG	109039 109042 109045 109048 109051 109139 109142 109145 109148 109151	



Position	QTY./ assembly	TOMTAR MR-S	TOMTAR MR-LG	Item no.	Description	QTY. supply
1	2	■	■	196036	Wheel, 7", PU groove tread, grey, rim black	pc.
2	2	■	■	196037	Wheel, 24", alu, PU block tread, grey, rim grey, hub black, push rim silver	pc.
3	2	■	■	196038	Wheel, 24", hub DB, alu, PU block tread, grey, rim grey, hub/push rim silver	pc.
4	2	■	■	196034	Quick release axle, hub standard	pc.
5	2	■	■	196035	Quick release axle, hub drum brake	pc.
6	2	■	■	196040	Push rim, for 24" rim, alu, silver, cpl.	pc.
7	12	■	■	410903	Spacer for push rim 25 mm incl. screw M5x40mm, black (Exchange 6 piece per wheel recommended)	pc.
8	2	■	■	196039	Tyre, for 24" rim, PU block tread, grey	pc.
o.Abb.	2	■	■	400695	Push rim cover silicon black grooved, drive wheel 24"	pc.
o.Abb.	2	■	■	400696	Push rim cover, silicon, black /smooth, drive wheel 24"	pc.
o.Abb.	1	■	■	402206	Spoke guard transparent, complete, drive wheel 24"	pc.

TOMTAR MR-S

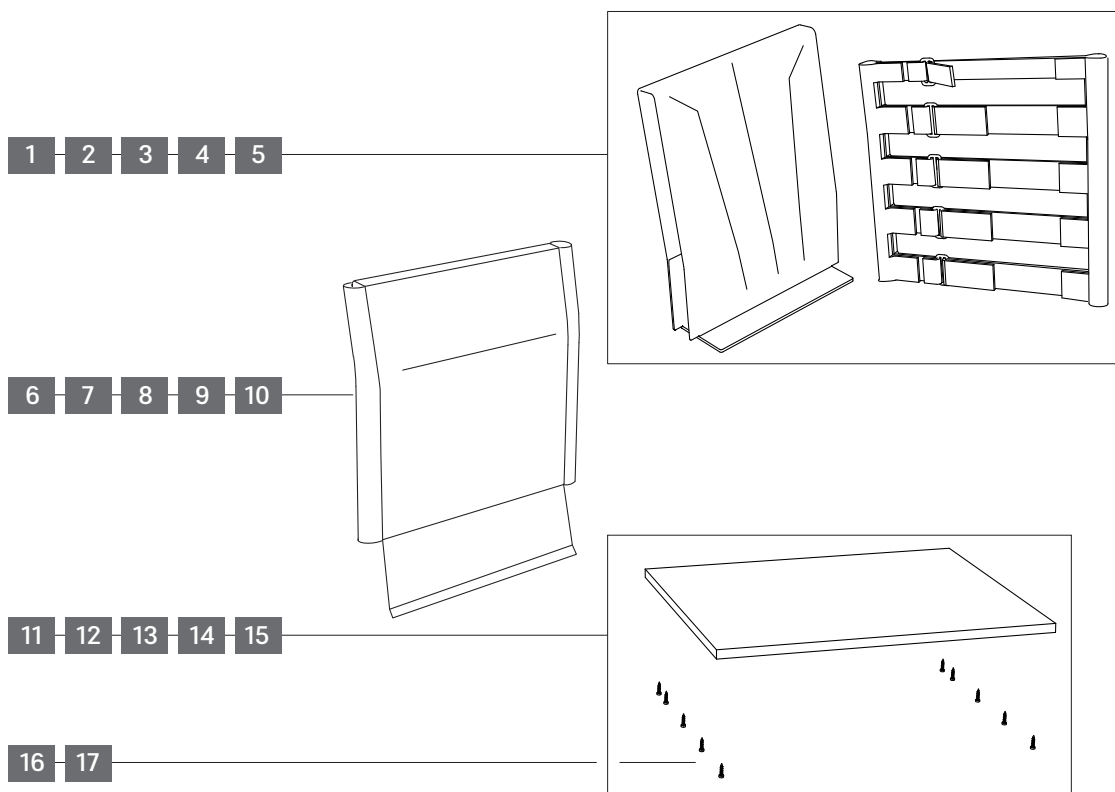
Standard wheelchair, foldable

TOMTAR MR-LG

Lightweight wheelchair, foldable



Assembly	Product name	Item no.	Version
Seat/back	TOMTAR MR-S	108039 108042 108045 108048 108051 108139 108142 108145 108148 108151	V 6.0 2024-02
	TOMTAR MR-LG	109039 109042 109045 109048 109051 109139 109142 109145 109148 109151	



Position	QTY./assembly	TOMTAR MR-S	TOMTAR MR-LG	Item no.	Description	QTY. supply
1	1		■	196175	Backrest cushion SW 390 mm, Velcro incl. cushion	pc.
2	1		■	196176	Backrest cushion SW 420 mm, Velcro incl. cushion	pc.
3	1		■	196177	Backrest cushion SW 450 mm, Velcro incl. cushion	pc.
4	1		■	196178	Backrest cushion SW 480 mm, Velcro incl. cushion	pc.
5	1		■	196179	Backrest cushion SW 510 mm, Velcro incl. cushion	pc.
6	1	■		196170	Backrest cushion SW 390 mm	pc.
7	1	■		196171	Backrest cushion SW 420 mm	pc.
8	1	■		196172	Backrest cushion SW 45 mm	pc.
9	1	■		196173	Backrest cushion SW 480 mm	pc.
10	1	■		196174	Backrest cushion SW 510 mm	pc.
11	1	■	■	196060	Seat upholstery, SW 390 mm, incl. 10 screws	pc.
12	1	■	■	196061	Seat upholstery, SW 420 mm, incl. 10 screws	pc.
13	1	■	■	196062	Seat upholstery, SW 450 mm, incl. 10 screws	pc.
14	1	■	■	196063	Seat upholstery, SW 480 mm, incl. 10 screws	pc.
15	1	■	■	196064	Seat upholstery, SW 510 mm, incl. 10 screws	pc.
16	1		■	196065	Screw set (10 pcs.), seat upholstery	set
17	1	■		196066	Screw set (10 pcs.), seat upholstery	set

TOMTAR MR-S

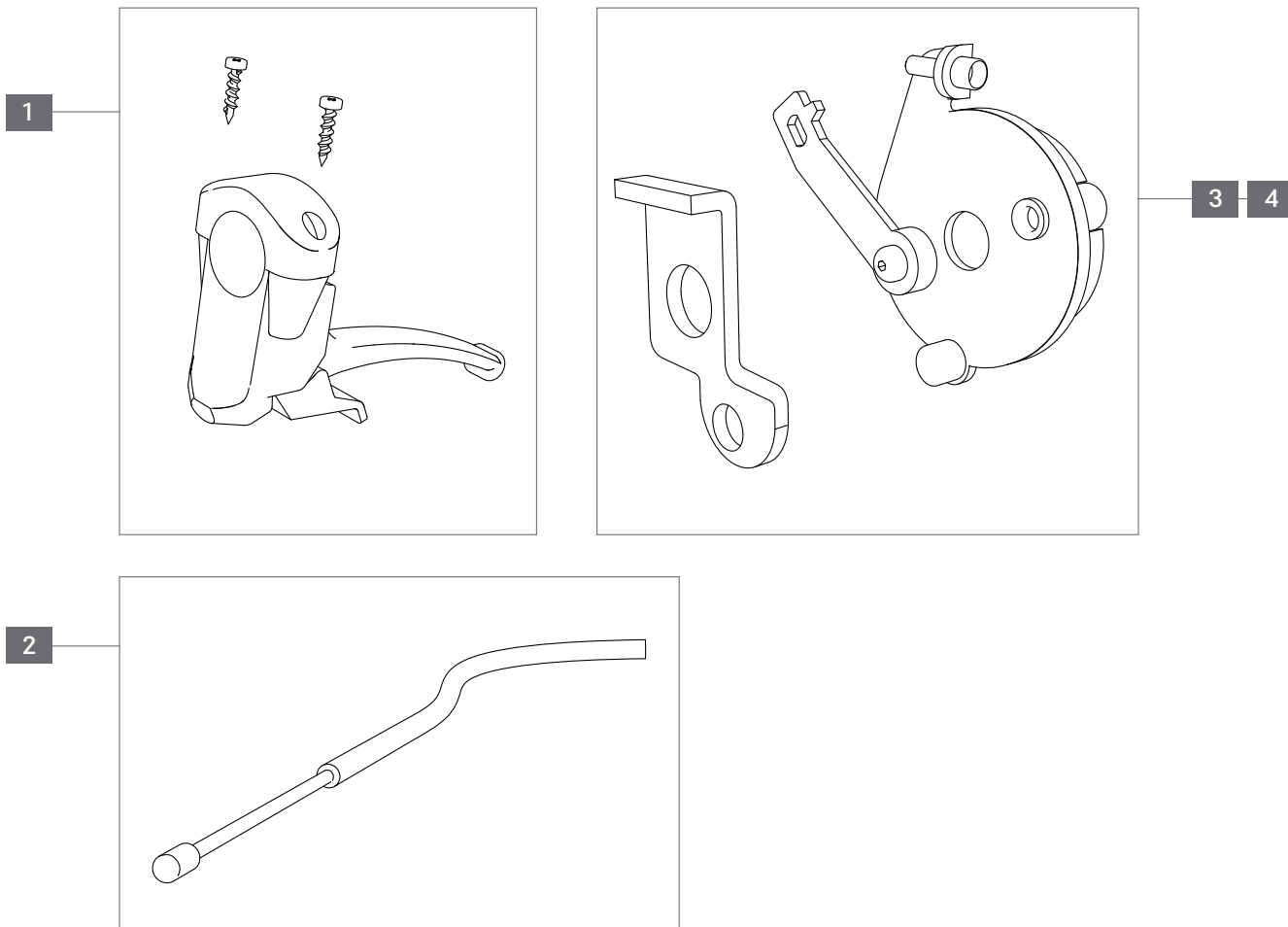
Standard wheelchair, foldable

TOMTAR MR-LG

Leightweight wheelchair, foldable



Assembly	Product name	Item no.	Version
Drum brake	TOMTAR MR-S	108039 108042 108045 108048 108051 108139 108142 108145 108148 108151	V 6.0 2024-02
	TOMTAR MR-LG	109039 109042 109045 109048 109051 109139 109142 109145 109148 109151	



Position	QTY./ assembly	TOMTAR MR-S	TOMTAR MR-LG	Item no.	Description	QTY. supply
1	2	■	■	196023	Brake lever incl screws, attendant brake	pc.
2	2	■	■	196024	Brake cable and housing	pc.
3	1	■	■	196025	Brake carrier system cpl., right	pc.
4	1	■	■	196026	Brake carrier system cpl., left	pc.

TOMTAR MR-S

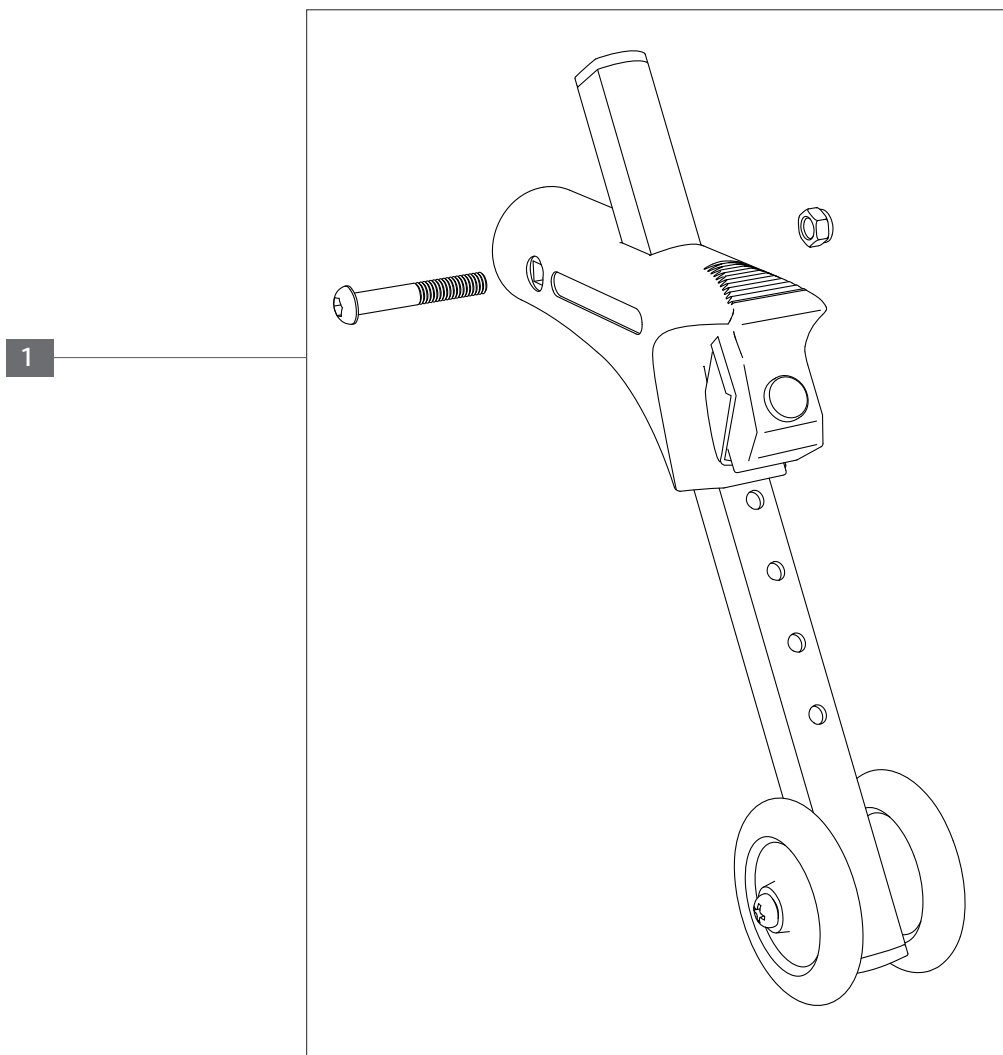
Standard wheelchair, foldable

TOMTAR MR-LG

Leightweight wheelchair, foldable



Assembly	Product name	Item no.	Version
Anti-tipp-wheel	TOMTAR MR-S	108039 108042 108045 108048 108051 108139 108142 108145 108148 108151	V 6.0 2024-02
	TOMTAR MR-LG	109039 109042 109045 109048 109051 109139 109142 109145 109148 109151	



Position	QTY./ assembly	TOMTAR MR-S	TOMTAR MR-LG	Item no.	Description	QTY. supply
1	2	■	■	196206	Anti-tip wheel, left/right	pc.

TOMTAR MR-S

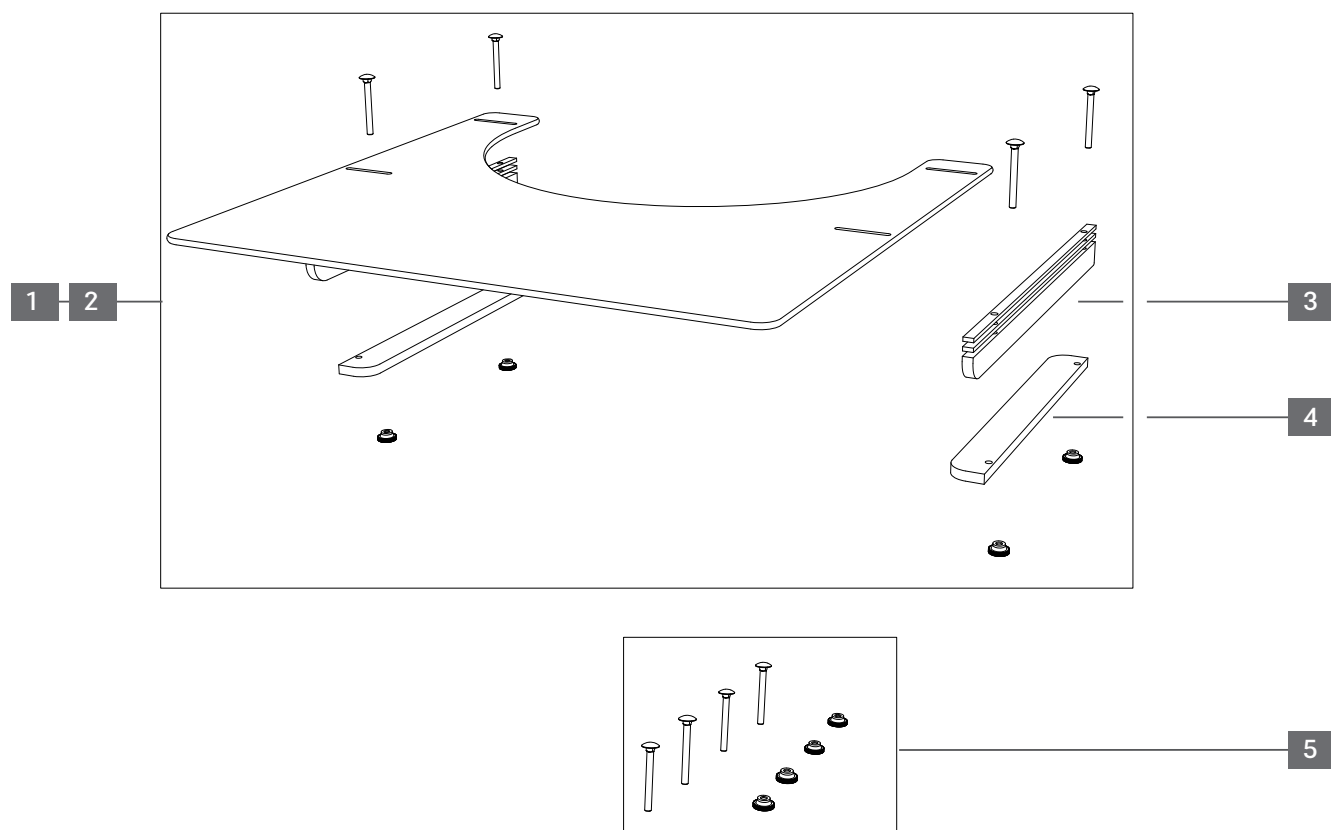
Standard wheelchair, foldable

TOMTAR MR-LG

Lightweight wheelchair, foldable



Assembly	Product name	Item no.	Version
Activity tray	TOMTAR MR-S	108039 108042 108045 108048 108051 108139 108142 108145 108148 108151	V 6.0 2024-02
	TOMTAR MR-LG	109039 109042 109045 109048 109051 109139 109142 109145 109148 109151	



Position	QTY./ assembly	TOMTAR MR-S	TOMTAR MR-LG	Item no.	Description	QTY. supply
1	1	■	■	402270	Activity tray for SW 360-450 mm, acrylglas (adjustable width 480-575 mm) complete	pc.
2	1	■	■	402271	Activity tray for SW 480-510 mm, acrylglas (adjustable width 535- 630 mm) complete	pc.
3	1	■	■	400911	Support rails long for activity tray (2 x 25 / 2 x 4 mm rails from set)	set
4	1	■	■	400912	Support rails short for activity tray (set = 2 rails)	set
5	1	■	■	401719	Screw set for activity tray (set = 4 screws & 4 knurled nuts)	set

TOMTAR MR-S

Standard wheelchair, foldable

TOMTAR MR-LG

Leightweight wheelchair, foldable



Assembly	Product name	Item no.	Version
Folding lock	TOMTAR MR-S	108039 108042 108045 108048 108051 108139 108142 108145 108148 108151	V 6.0 2024-02
	TOMTAR MR-LG	109039 109042 109045 109048 109051 109139 109142 109145 109148 109151	



Position	QTY./assembly	TOMTAR MR-S	TOMTAR MR-LG	Item no.	Description	QTY. supply
1	1	■	■	410017	Folding lock, black, SW 390-600 mm	pc.

TOMTAR MR-S

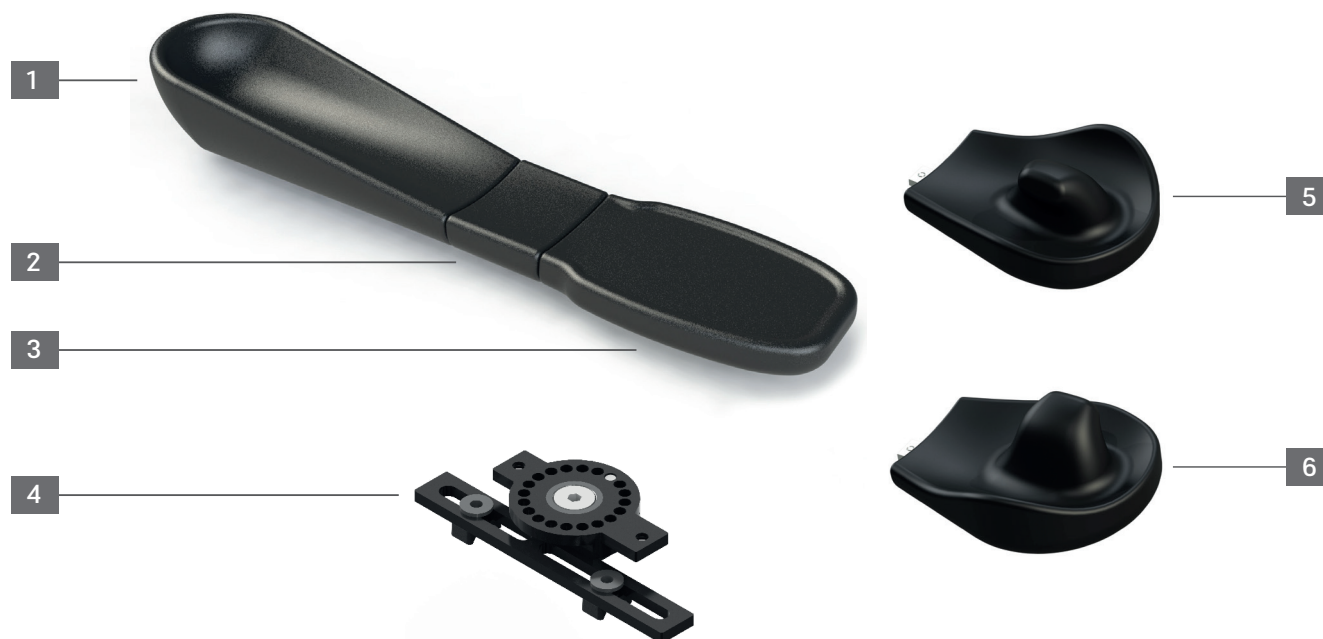
Standard wheelchair, foldable

TOMTAR MR-LG

Leightweight wheelchair, foldable



Assembly	Product name	Item no.	Version
HEMI armrest shell system	TOMTAR MR-S	108039 108042 108045 108048 108051 108139 108142 108145 108148 108151	V 6.0 2024-02
	TOMTAR MR-LG	109039 109042 109045 109048 109051 109139 109142 109145 109148 109151	



Position	QTY./ assembly	TOMTAR MR-S	TOMTAR MR-LG	Item no.	Description	QTY. supply
1	1-2	■	■	194040	Forearm shell PU incl. slot stones, 285 x 122,5 x 78 mm (L/W/H)	pc.
2	1-2	■	■	194041	Extension PU, forearm shell, 70 x 95 x 30 mm (L/W/H)	pc.
3	1-2	■	■	194042	Handpiece flat incl. connection plate, 4 threaded pins, 180 x 136 x 30 mm (L/W/H)	pc.
4	1-2	■	■	194043	Pivot arm, arm cup, 360 ° rotatable, incl. mounting plate, lt./rt.	pc.
5	1-2	■	■	194045	Handpiece ergo lt., incl. connection pl., 4 threaded pins, 192x 152 mm (L/W)	pc.
6	1-2	■	■	194046	Handpiece ergo rt., incl. connection pl., 4 threaded pins, 192x 152 mm (L/W)	pc.

TOMTAR MR-S

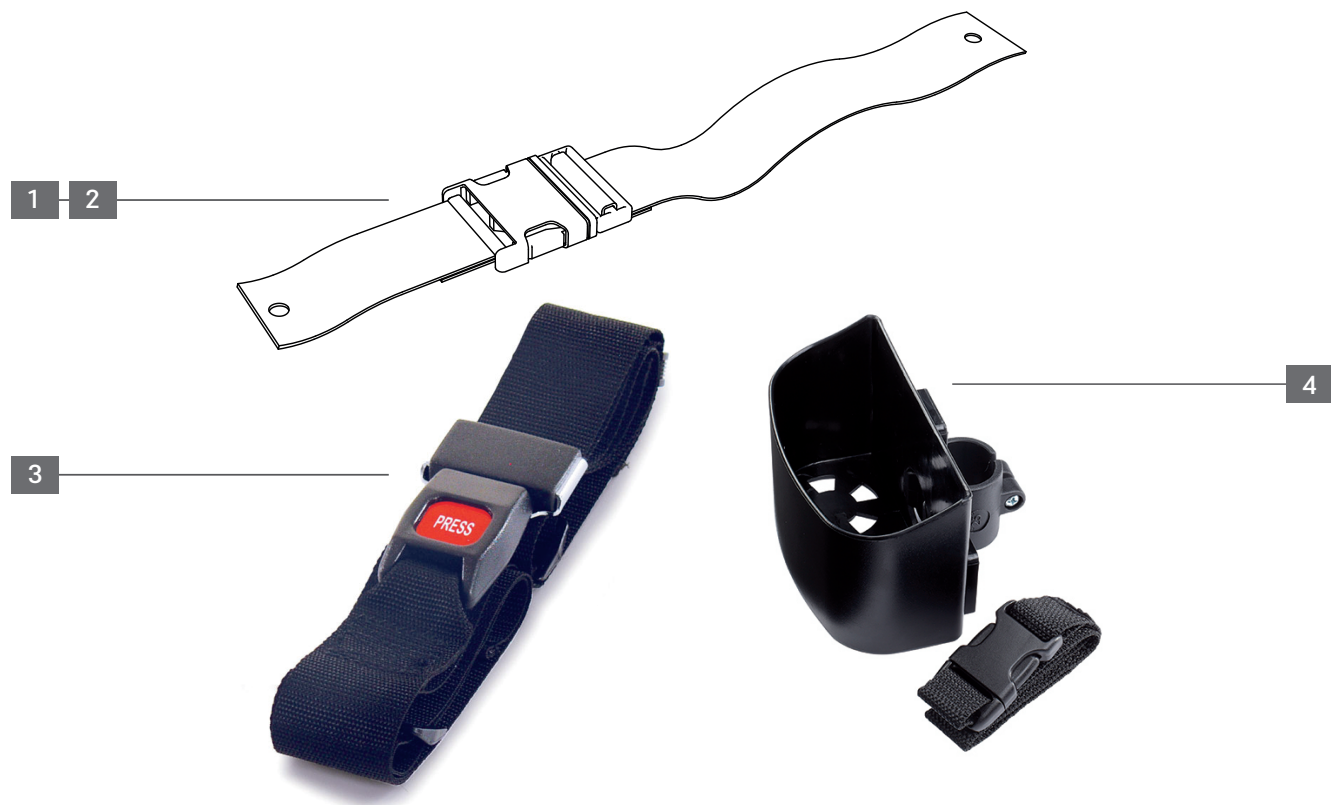
Standard wheelchair, foldable

TOMTAR MR-LG

Lightweight wheelchair, foldable



Assembly	Product name	Item no.	Version
Other	TOMTAR MR-S	108039 108042 108045 108048 108051 108139 108142 108145 108148 108151	V 6.0 2024-02
	TOMTAR MR-LG	109039 109042 109045 109048 109051 109139 109142 109145 109148 109151	



Objekt	Anzahl/ Produkt	TOMTAR MR-S	TOMTAR MR-LG	Art.-Nr.	Beschreibung	Liefermenge
1	1	■	■	196208	Lap belt for SW 390 - 450 mm (725 - 985 mm)	pc.
2	1	■	■	196209	Lap belt for SW 480 - 510 mm (985 - 1290 mm)	pc.
3	1	■	■	402101	Lap belt press lock metal, 1800 mm adjustable in length	pc.
4	1	■	■	402243	Walking stick holder complete, 25 mm cane	pc.
w/o fig.	1	■	■	400810	Head rest, complete for SW 450 - 510 mm	pc.
w/o fig.	1-2	■	■	190016	Infusion holder, stainless steel, with two arm holder of plastic	pc.