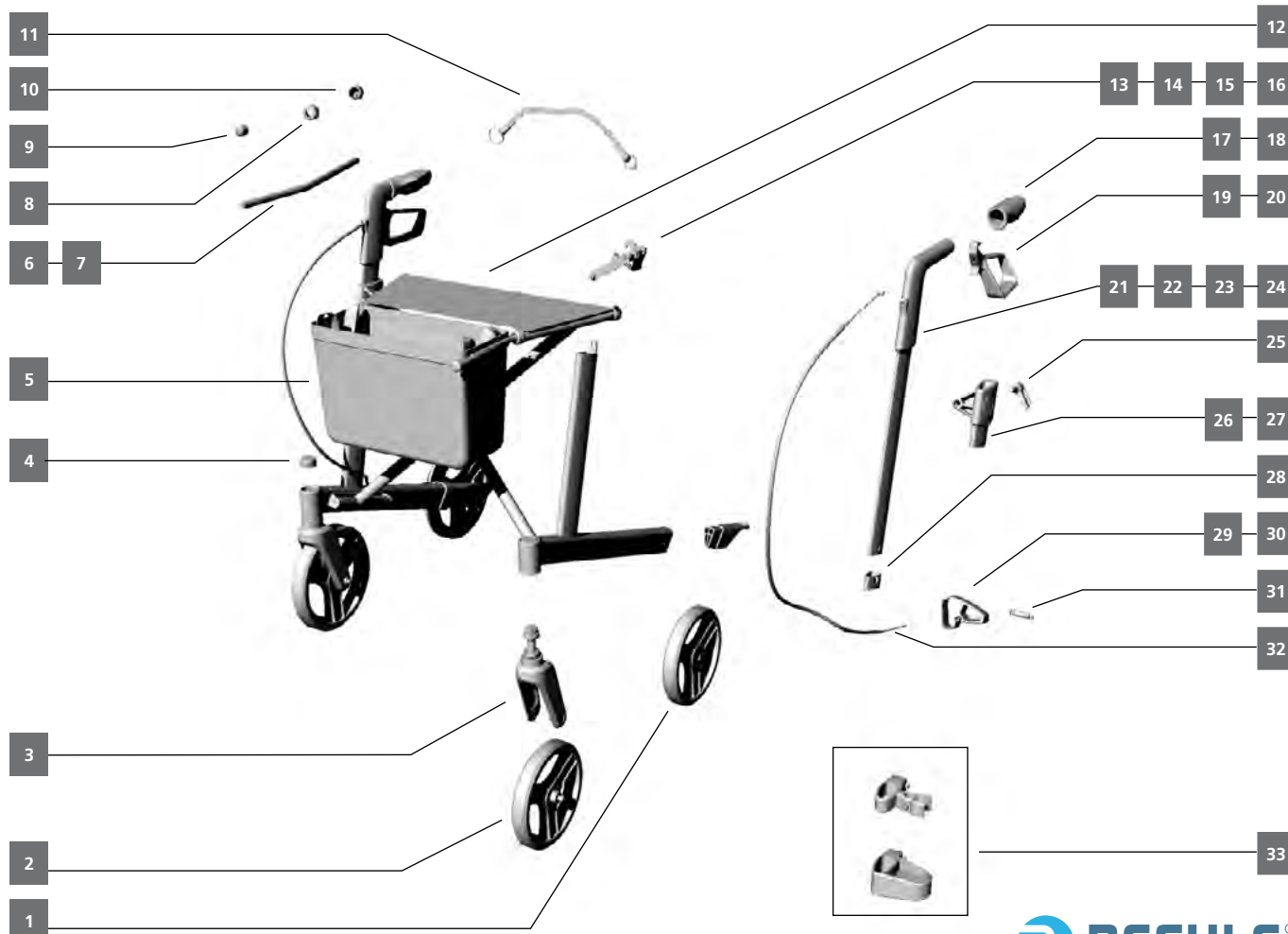




Product type Lightweight rollator	Product name brado M / brado S, anthracite	Item number 342NPU / 341NPU	Version V1.1.0	05.2018
--------------------------------------	---	--------------------------------	-------------------	---------



Position	Item no.	342NPU brado M	341NPU brado S	Description	QTY. delivered
1	601242	•	•	Wheel, rear, 8", black, w/ axle, spacer, cover cap	set
2	601240	•	•	Wheel, front, 8", black, w/ axle, spacer	set
3	601222	•	•	Wheel fork set, w/ axle	set
4	601235	•	•	Cover cap, castor connector	pc.
5	601203	•	•	String shopping bag	pc.
6	601257	•	•	Support bar, bag & basket, left, OD 10 mm, w/ plug & slide-clip	set
7	601243	•	•	Support bar, bag & basket, right, OD 10 mm, w/ plug & slide-clip	set
8	601246	•	•	Slide-clip seat tube	set
9	601244	•	•	Plug, support bar/bag, OD 10 mm	pc.
10	601245	•	•	Plug seat tube	pc.
11	601223	•	•	Unlocking belt w/ 2 rings	pc.
12	601218	•	•	Seat sling, w/o brado logo	pc.
13	601255		•	Joining element sideframe, right	set
14	601219		•	Joining element sideframe, left, w/ locking mechanism	set

brado

DIETZ[®]
REHA-PRODUKTE

Product type Lightweight rollator	Product name brado M / brado S, anthracite	Item number 342NPU / 341NPU	Version V1.1.0	05.2018
--------------------------------------	---	--------------------------------	-------------------	---------

Position	Item no.	342NPU	341NPU	Description	QTY. delivered
		brado M	brado S		
15	601256	•		Joining element sideframe, right	set
16	601249	•		Joining element sideframe, left, w/ locking mechanism	set
17	601230	•	•	Grip ergonomic, left, w/ reflector	set
18	601208	•	•	Grip ergonomic, right, w/ reflector	set
19	601209	•	•	Brake lever, left (w/o brake cable)	set
20	601207	•	•	Brake lever, right (w/o brake cable)	set
21	290003		•	Push handle, left, black, w/ grip, brake lever, brake cable	set
22	290004		•	Push handle, right, black, w/ grip, brake lever, brake cable	set
23	290005	•		Push handle, left, black, w/ grip, brake lever, brake cable	set
24	290006	•		Push handle, right, black, w/ grip, brake lever, brake cable	set
25	601220	•	•	Clamp lever, push handle	pc.
26	601233	•	•	Adapter, push handle left, w/ clamp lever	pc.
27	601234	•	•	Adapter, push handle right, w/ clamp lever	pc.
28	601241	•	•	Move-out stop, push handle	pc.
29	601229	•	•	Brake pad, left	pc.
30	601216	•	•	Brake pad, right	pc.
31	601217	•	•	Clamp screw, brake cable	pc.
32	601215	•	•	Brake cable, w/ adjusting screw and end-clip, 2 pc.	set
33	601201	•	•	Cane holder set, upper and lower part	set
no Pic.	601202	•	•	Backrest strap, w/ mounting material	set


BECHLE[®]