

TOMTAR®

9404-A

Folding shower seat


User manual version: 2.0.0 EN



EN

Record of product identification data

We recommend that you write down your product identification data (found on nameplate) below, so that you have these on hand should you require any further information about your product. (See "Product labelling" section)

TYP Type / model	
REF Item No. / REF:	
UDI Serial number (21):	
 Date of manufacture:	
Other information/notes:	

Many thanks for choosing a shower chair made by DIETZ.

This product is a medical aid. In order to use it properly and avoid possible risks due to unintended use, you must become thoroughly familiar with its operation.

Read this user manual carefully before you begin using your product. It contains important instructions that will enable you to fully take advantage of the technical benefits. In addition, you will receive information that will aid with maintaining operational safety and the preservation of your investment in your product.

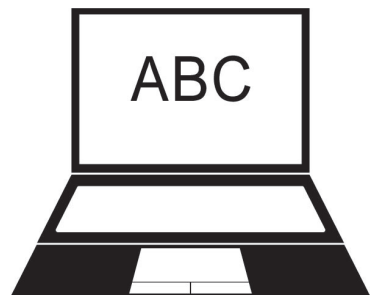
If you have any questions or require additional information, please contact the specialist retailer which supplied the product to you.

You will always find the latest information about your product on our website. For information or queries concerning product safety and on recalls, please contact DIETZ in writing or by telephone. You will find our contact information on the back of this user manual.



NOTE

A large-print version of the user manual is available for visually impaired persons at **www.dietz-group.de** in PDF format.



1 Important information	
1.1 General information	5
1.2 Intended purpose	5
1.3 Indications	5
1.4 Contraindications	5
1.5 Symbols	6
2 Product description	
2.1 Scope of delivery	7
2.2 Exemplary representation	7
2.3 Accessories	7
3 Commissioning the product	
3.1 Assembly instructions	8
3.2 Tools	8
3.3 Assembly 9404-A	8
4 Using the product	
4.1 Adjusting seat height.	9
4.2 Adjusting the seat surface	9
4.3 Unfold / fold up.	10
4.4 Getting in and out.	10
5 Technical data	
5.1 DIETZ's measurement system.	11
5.2 Dimensions and technical specifications.	12
5.3 Product tests.	12
5.4 Further information	12
5.5 Materials	13
5.6 Product labelling.	13
6 Safety instructions	
6.1 Safety instructions.	14
7 Care and maintenance	
7.1 Servicing/maintenance.	15
7.2 Maintenance schedule	16
7.3 Cleaning	17
7.4 Disinfection.	17
7.5 Disposal	17
7.6 Forwarding/Reusing.	18
7.7 Storage.	18
8 Manufacturer's declarations	
8.1 Warranty	19
8.2 Lifetime.	19
8.3 Liability.	19

1.1 GENERAL INFORMATION

This user manual is included in the scope of delivery. The user should keep this manual on hand at all times and it must remain with the product if the product is passed on to a third party. We reserve the right to make changes to the versions shown in this user manual as a result of further technical development. Reprints,

translations and reproductions of this manual in any form, in whole or in part, require the written approval of DIETZ GmbH. The copyright is owned by the manufacturer. You can obtain the latest version of the user manual by contacting DIETZ GmbH. Read the user manual before assembling and using the product.

1.2 INTENDED PURPOSE

The product is used to make it easier for people with reduced mobility to take a shower on firm, level and slip-resistant surfaces. The product is designed for a maximum user weight of 120 kg. The product is not suitable for persons who are

smaller than 146 cm or weigh less than 40 kg (BMI < 17) and must not be used by children. The product is not suitable for use as permanent seating. It is not to be used to transport persons or loads.

1.3 INDICATIONS

This product is suitable for persons with physical limitations who are unable to take a shower while standing:

- ▼ Standing and inability to stand
- ▼ Standing and instability
- ▼ Loss of / defective / deformed limbs

1.4 CONTRAINDICATIONS

The product is unsuitable in the case of:

- ▼ Perception disorders
- ▼ Severe disequilibrium
- ▼ Inability to sit
- ▼ A body weight exceeding 120 kg

1.5 SYMBOLS

These symbols indicate passages of text that are helpful for using and operating the product in everyday life.



WARNING

It is mandatory to observe and comply with warnings. They draw your attention to the fact that failure to comply with them may result in injury and/or damage to the product or the environment. _____



NOTE

Tips and advice which make using the various functions easier. _____

2.1 SCOPE OF DELIVERY

The product is wrapped in protective film at the factory and is supplied in a cardboard box.

Upon receipt of the goods, please immediately check to make sure that the contents are complete and undamaged. If the contents are noticeably damaged, inform the freight company immediately.

Scope of delivery 9400-A foldable:

- ▼ 1 pre-assembled shower chair
- ▼ Wall fixing: 8 × screws,
8 × dowels, 8 × covering caps
- ▼ 2 drilling templates
- ▼ 1 user manual

2.2 EXEMPLARY REPRESENTATION

1. Wall fixing
2. Seat
3. Folding mechanism
4. Telescopic leg
5. Pin clip
6. Adjusting screw
7. Rubber feet



Abb. 1

2.3 ACCESSORIES

No accessories are provided for the product.



WARNING

Risk of poisoning: When burnt, packaging films can release toxic gases.

Risk of suffocation: Keep the plastic bags out of the reach of children.

3.1 ASSEMBLY INSTRUCTIONS

The assembly and the functional check are to be performed by the specialist dealer. The dealer's technician adapts the product to the respective user.



NOTE

Read the user manual before assembling and using the product.

3.2 TOOLS

- ▼ Cross tip screwdriver
- ▼ Drill
- ▼ Concrete drill (Ø 8 mm)

3.3 Assembly 9404-A

The folding shower seat can be fixed to walls made of concrete, aerated concrete, solid brick, hollow brick and gypsum concrete with chip-board reinforcement.

1. Mark the drill holes on the wall using the drill hole template.
2. Drill the holes (Ø 8 mm) in the wall and fit dowels.
3. Position the wall panel in accordance with the drill holes (Fig. 2, 1). Only tighten the screws so that the wall panels can still move. Align the wall panels using the spirit level and tighten the screws.
4. Unfold the shower seat (Fig. 2, 2).
5. Adjust the height of the seat surface with the aid of the spirit level using the telescopic legs and adjusting screws (Chapter 4.2). The seat surface should be aligned horizontally.
6. Then insert the cover caps (8 pcs.) (Fig. 2, 3) into the opening of the wall fixing.



NOTE

Ensure that there is enough room to move when positioning the shower seat. Both legs must stand securely and there must be no obstacle to occupying the chair.

Please contact the specialist retailer for advice if the substrate places special requirements on the fixing material.



WARNING

Risk of trapping: Take care of your hands/fingers during the entire assembly.

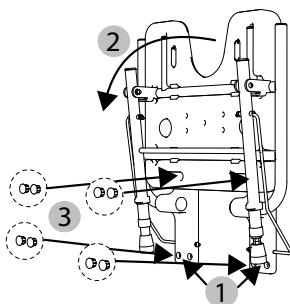


Abb. 2

4.1 Adjusting seat height

1. Pull out the pin clip on the telescopic leg (Fig. 3, 1).
2. Adjust the telescopic leg to the desired length (Fig. 3, 2). Ensure holes in the inner and outer pipes are covered.
3. Re-insert the pin clip (Fig. 3, 1) until the clip is fully engaged on the tube. The pin clip must visibly and noticeably come out of the hole again.

It is imperative that the pin clips snap into place on the outside of the tube. Only then is it ensured that the pins are guided safely through the holes and provide the shower chair with the necessary stability.



WARNING

Risk of trapping: Be careful of your fingers when adjusting the telescopic legs.

Tipping danger: Adjust the 2 telescopic legs to the same length.

Risk of accident: Ensure that the pin clips are firmly engaged again after the height is adjusted.

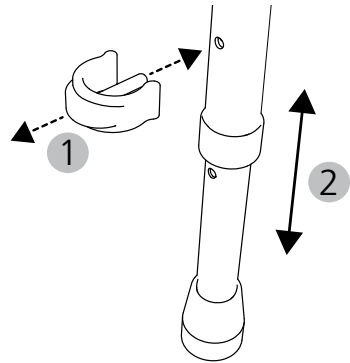


Abb. 3

4.2 Adjusting the seat surface

The seat can be adjusted horizontally or to a desired inclination by turning the adjusting screw on one of the two telescopic legs.

1. First release the lock nuts (Fig. 4, 1).
2. Then establish the desired position by unscrewing or screwing in the adjusting screw (Fig. 4, 2).
3. Retighten the lock nut (Fig. 4, 1).

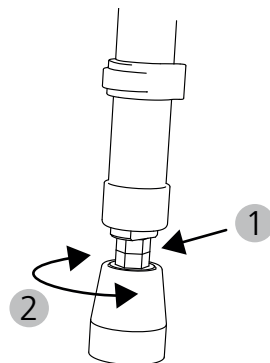


Abb. 4

4.3 Unfold / fold up

Unfolding

1. Push the shower seat forwards and downwards by the seat. The legs fold out on their own and the folding shower seat unfolds in the process (Fig.5, 1).
2. Check that both feet are secure and the folding shower seat can be occupied without obstruction.

Folding up

1. Pull up the seat for folding up (Fig. 6, 1).
The legs fold in on their own and the folding shower seat is held against the wall to save space.

4.4 Getting in and out

1. Slowly bend your knees and sit in the middle of the seat; have someone assist you when sitting down, if necessary.
2. You can push yourself upwards over the seat to stand up. If necessary, have someone help support you.



WARNING

Risk of trapping: Be careful of hands/fingers when unfolding/folding. Fold up the seat carefully. _____

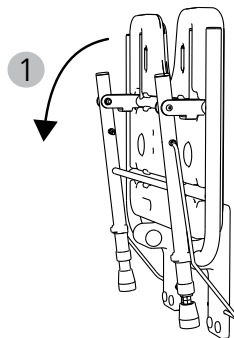


Abb. 5

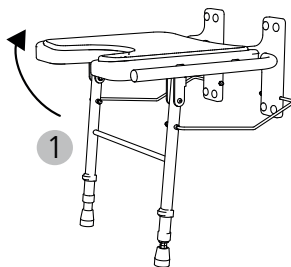


Abb. 6



WARNING

Risk of accident: Do not stand with your feet on the seat.

Risk of trapping: If a seat plug is lost, please have this replaced by your specialist dealer as soon as possible. _____

4.5 TRANSPORT

The product is not a device for frequent transport. Should it be necessary to transport the chair, we recommend disassembling it according above assembly instructions in reverse. The product should be packed such that it is in a stable position and there is no danger of sudden and dangerous movements in the means of transport.

5.1 DIETZ'S MEASUREMENT SYSTEM

The dimensions given here refer to the standard configuration of the product.

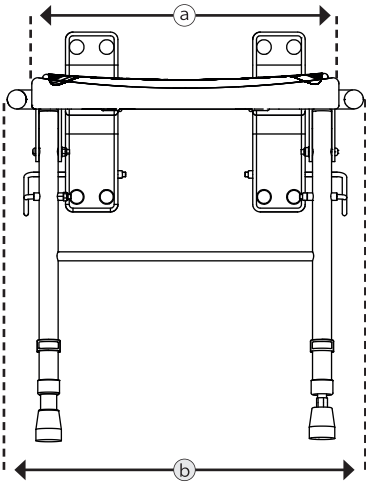


Abb. 7



NOTE

All dimensions taken on textile parts (e.g. back upholstery) are to be understood with a tolerance of ± 10 cm.

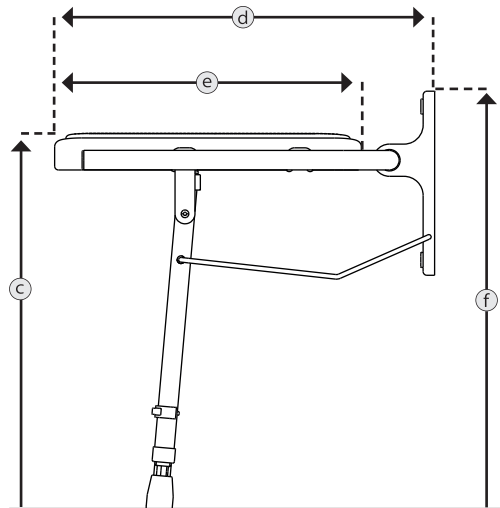


Abb. 8

5.2 SPECIFICATIONS

Technical specifications			9404-A
a	Seat width	mm	400
e	Seat depth	mm	400
c	Seat surface height (front edge)	mm	470 - 570
d	Total length	mm	490
b	Total width	mm	470
f	Total height	mm	540 - 640
	Seat surface (W × D × H)	mm	400 × 400 × 40
	Mass of the heaviest part ¹	kg	2
	Total weight	kg	2.9
	Maximum user weight ²	kg	120

5.3 PRODUCT TESTS

DIN EN 12182	Tested in accordance with the requirements of technical aids for disabled people
ISO 17966	Tested according to the requirements and test methods for personal hygiene aids
ISO 10993-5	Tested for toxicity in the material
Test dummy weight	120 kg

5.4 FURTHER INFORMATION

Technical specifications		9400-A
Colours		White
Seat	kg	0.9
Ambient operation temperature		10 C° to +40 C°
Ambient storage conditions		0°C to 45°C // 20% to 75% relative humidity

¹ Product weight excluding removable parts (here without seat)

² Maximum user weight including load/The weight of the load reduces the maximum user weight.

5.5 MATERIALS

Wall fixing	Plastic (ABS)
Seat	Plastic (PE)
Seat plugs	Plastic (TPR)
Folding mechanism	Stainless steel
Pin clip	Stainless steel / plastic (PP)
Frame and telescopic legs	Aluminium (painted)
Adjusting screw / nut	Stainless steel
Rubber feet	Rubber
Plastic cuff telescopic leg	Plastic (PE + EVA)
Screws, joints	Stainless steel

Note: All metals used are corrosion-resistant

5.6 PRODUCT LABELLING

Type plates and warning signs on the product must remain legible. Immediately replace illegible or missing stickers. The serial number sticker is very important for identifying the product, it is placed on the product label, which is placed below the seat. It must not be removed.

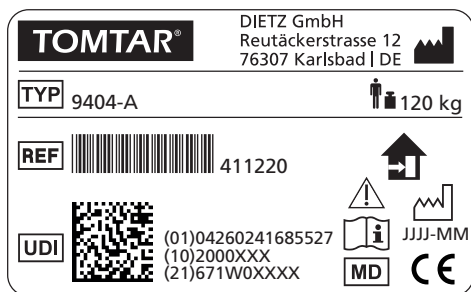


Abb. 9

TOMTAR®	Trademark
TYP	TYPE/Model
REF	REF = Item number
UDI	UDI = Unique Device Identifier (01) UDI-DI / GTIN (10) Order number (21) Serial number
	Manufacturer/manufacturer's trademark/contact address
	Maximum load capacity/load incl. payload
	Date of manufacture
	The product is only approved for indoor use
	Follow the user manual
	Caution: Note the safety information in the user manual!
MD	Medical Device
CE	CE marking MDR 2017/745, Anhang I-III

6.1 SAFETY INSTRUCTIONS

When using the product, always observe the following safety instructions to prevent falls, hazardous situations and damage to the product:

- ▼ The product is only to be used indoors and on a firm, level surface.
- ▼ Do not use the product as a climbing aid or stand on it.
- ▼ Do not load the product unevenly.
- ▼ There is a risk of slipping off when sitting down and standing up in wet bathtubs or shower areas, particularly when shower additives (e.g. soap or shower gel) are used.
- ▼ Check the product for damage before each use. Do not use a damaged product.
- ▼ Each time after the shower chair is disassembled and reassembled, check its stability and ensure that all telescopic legs are set to the same length.
- ▼ If your mobility is severely limited, use the product with the aid of an accompanying person.
- ▼ The surface of the product may become hot due to hot water or exposure to sunlight. Risk of burns!
- ▼ Any severe incidents associated with the product must be reported to the manufacturer and responsible authority.

7.1 SERVICING/MAINTENANCE

We recommend performing the inspections listed in the maintenance schedule at regular intervals to ensure that the product is always safe to use.

Failure to ensure care and maintenance or insufficient care and maintenance of the product leads to a restriction of liability. The maintenance schedule does not provide any information on the amount of work that will actually need to be performed on the product.



NOTE

As the user, you will be the first to notice any damage. If you notice a fault as described in the maintenance schedule or further defects and functional impairments, contact an authorised specialist dealer immediately. _____



WARNING

Repairs on the product must only be performed by specialist shops using DIETZ original spare parts to maintain the operational safety of the product. The relevant spare parts catalogue can be found on our website in the information of the product in question. _____



NOTE









The inspections and measures stipulated in the maintenance schedule must be performed by the user or assistant if not otherwise stated. _____



NOTE FOR SPECIALIST DEALERS:

If the user reports abnormalities on the product, please check all the inspection points listed in the maintenance schedule. The checks must also be performed before putting the product back into operation and after longer storage periods (> 4 months). _____

7.2 MAINTENANCE SCHEDULE

What	Description	Monthly Before use <div style="display: flex; justify-content: space-between; width: 100%; margin-top: 5px;"> ↘ ↘ </div>	
Wall fixing Check for firm seating	<ul style="list-style-type: none"> Prior to use, check that the folding shower seat is firmly mounted to the wall  The product must no longer be used if such damage is found. Immediately contact your specialist dealer for repairs. 	x	
Check frame for damages	Check the frame for deformations or breaks.  The product must no longer be used if such damage is found. Immediately contact your specialist dealer for repairs.		x
Seat Check for correct function and for damage	<ul style="list-style-type: none"> Check the correct fit of the seat 	x	
	<ul style="list-style-type: none"> Checking of the seat surface plugs (5 pcs.) in the seat surface.  Missing seat plugs must be immediately replaced through your specialist dealer. 	x	
	<ul style="list-style-type: none"> Check for breaks and material damage  The product must no longer be used if such damage is found. Immediately contact your specialist dealer for repairs. 		x
Folding mechanism Check for correct function and wear	<ul style="list-style-type: none"> Check the folding mechanism for ease of movement and low-noise operation.  In the event of functional damage, the components must be replaced by a specialist dealer. 		x
Screw joints Check for firm seating	<ul style="list-style-type: none"> All screw joints must be firmly tightened.  Self-locking nuts and screws lose their efficacy through being repeatedly released and tightened. Therefore, they must be replaced by an authorised specialist dealer. 	x	
Rubber feet Check for damages	 Defective rubber feet must be replaced immediately.		x
Visual inspection , check for loose parts, breaks, corrosion or other damage	 If damage of this type is found, discontinue use of the product, as safe use can no longer be guaranteed. Please contact your specialist dealer		x
Entire product Check for dirt	<ul style="list-style-type: none"> Product parts that are in direct contact with the skin must be cleaned or disinfected after every use. 	x	
	<ul style="list-style-type: none"> The entire product must be cleaned/disinfected depending on the degree of soiling, but at least monthly (see Chapter 7.3. and 7.4). 		x

7.3 CLEANING

To clean the product, use lukewarm water mixed with a mild detergent (without solvents and with a pH value of 5-9). After cleaning, wipe with clear water and then dry the product with a cloth.



WARNING

Material damages: Do not use high-pressure cleaners, strong, corrosive chemicals or scouring agents for cleaning purposes.

Risk of corrosion: To avoid corrosion, ensure that all materials dry completely after cleaning. ...

7.4 DISINFECTATION

Wipe down or spray all components thoroughly with commercially available surface disinfectant. Take particular care to disinfect surfaces that come into frequent contact with hands/skin, such as the seat surface.

Please only use the following disinfectants; use of other chemicals might damage the product.

- ▼ Aldehyde-free disinfectants based on alcohol (max. 70% propylalcohol)



WARNING

Material damages: During disinfection, observe the use and application instructions issued by the cleaning agent / disinfectant manufacturer.

Risk of infection: The product must be disinfected before each user change. ...

7.5 DISPOSAL

If you no longer need the product, please contact your specialist dealer. They will then pick up the product and either dispose of it properly or make further use of it. Otherwise, please take the product to your local waste disposal facility.

7.1 FORWARDING/REUSING

Your product is suitable for transfer to/reuse by others. The number of times it can be reused depends on the material wear conditions and the functional capabilities of the respective product. When handing over the product or re-using it, please remember to hand over to the new user or the specialist dealer all the technical documents necessary for safe handling.

Before being re-used, the product must be cleaned and disinfected, and must be checked for damage and approved by a specialist retailer. To do this, all test points listed in the maintenance plan must be checked on the product.

7.2 STORAGE

To store the product, ensure that it is stored in a dry place protected against direct, strong sunlight and at a temperature of 0°C to +45°C. Fold up the product and remove it from the wall. When in storage, secure it against unwanted movement or toppling over.

After longer periods of storage (> 4 months), please check all the inspection points on the product listed in the maintenance schedule before reusing/redeploying the product.



WARNING

Material damages: Do not store the product near a heat source and do not place any objects on the product during storage. _____

8.1 WARRANTY

Warranty services refer to all product defects which are verifiably attributable to material or manufacturing flaws. The warranty period is 24 months as of receipt of notification of readiness for shipping, but following delivery at the latest.

Damage which has occurred due to natural wear, intent, and negligent or improper operation or usage is excluded from the warranty obligation. This also applies to the use of unsuitable care products, lubricating oils or greases.

8.2 LIFETIME

The expected product service life is five years when used daily and if used as intended. This assumes compliance with the maintenance and

safety specifications stipulated in this manual. The indicated life span does not constitute additional guarantee.

8.3 LIABILITY

DIETZ GmbH only bears liability if the products are used under the specified conditions and for the specified purposes. We recommend that the products be handled appropriately and cared for according to the instructions. DIETZ GmbH is not liable for damage caused by components and spare parts that have not been approved by DIETZ GmbH. Repairs must only be carried out by authorised specialist retailers or by the manufacturer itself.

TOMTAR®



Product group: Shower chair

Product: 9404-A

User manual version: 2.0.0 EN

Last update: 2021-02 (RPO)

DIETZ GmbH

Reutäckerstrasse 12

76307 Karlsbad

Germany

Tel.: +49 7248.9186-0

Fax: +49 7248.9186-86

info@dietz-reha.de

www.dietz-group.de

TOMTAR is a registered trademark belonging to DIETZ GmbH.

TOMTAR products are sold by DIETZ GmbH.

Misprints, errors, price and product changes reserved.

© DIETZ GmbH, Karlsbad

Reproduction, either in part or in whole, only with written permission of DIETZ GmbH, Karlsbad.