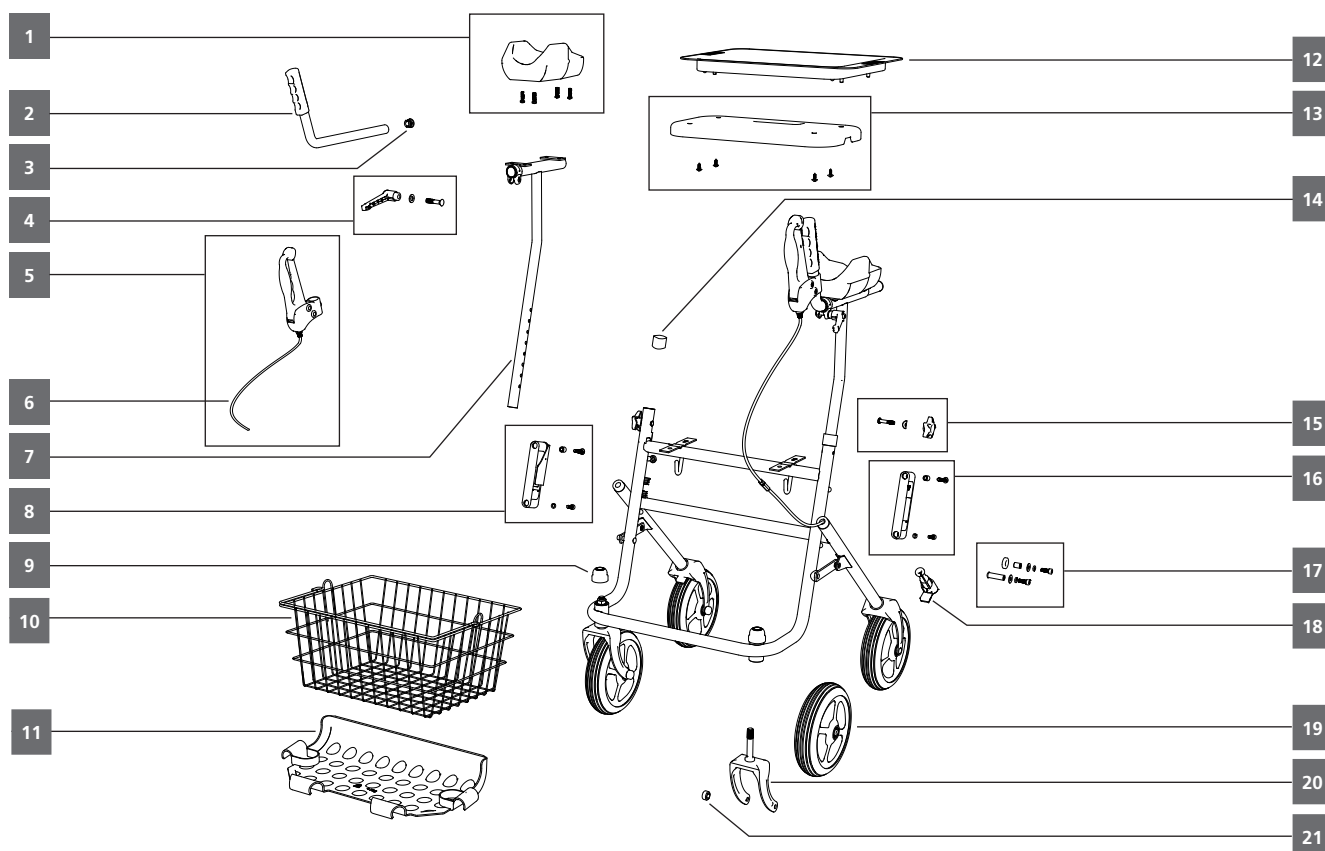


FAKTO+ Arthritis

TOMTAR

Product type	Product name	Item number	Version
Arthritis rollator	Fakto+ Arthritis	347NPU	V1.0.1 09/2022



Position	Art. Nr.	Description	QTY. delivered
1	280025	Pad, arthritis armrest, incl. screws	pc.
2	280023	Push handle, arthritis armrest, w/ handgrip, w/o brake, right/left	pc.
3	280024	Plug, push handle, plastic, black	pc.
4	280010	Clamp lever set (2 pc.), push handle, cpl.	set
5	280026	Ergonomic brake, incl. bracke cable, shell & adjusting screw	set
w/o pic.	999963	One hand brake, set, right/left, conversion kit, incl. brake lever & brake cable	set
6	280027	Brake cable, long, arthritis rollator, incl. shell	pc.
7	280028	T-tube, arthritis armrest	pc.
8	280012	Brace right, incl. folding lock & screws	pc.
9	280001	Cover cap, suspension	pc.
10	280002	Shopping basket, black	pc.
11	280008	Rack, plastic, incl. cane holder lower part (right/left)	pc.
12	280009	Tray, transparent	pc.
13	280006	Seat, with grip hole, black, incl. screws	pc.
14	280029	Guide bushing, T-tube	pc.
15	280030	Stargrip screw, incl. bent washers, set (2 pc.)	set
16	280013	Brace left, incl. screws	set
17	280014	Screw set, folding mechanism	set
18	280017	Brake piston, cpl.	pc.
19	280021	Wheel, front/rear, 8", PU, tyre dark grey, rim black	pc.
20	280005	Wheel fork, swivel wheel, w/o axle	pc.
21	280000	Cover cap, axle	pc.