

# TOMTAR

## BASIK

GENUINE SPARE PARTS

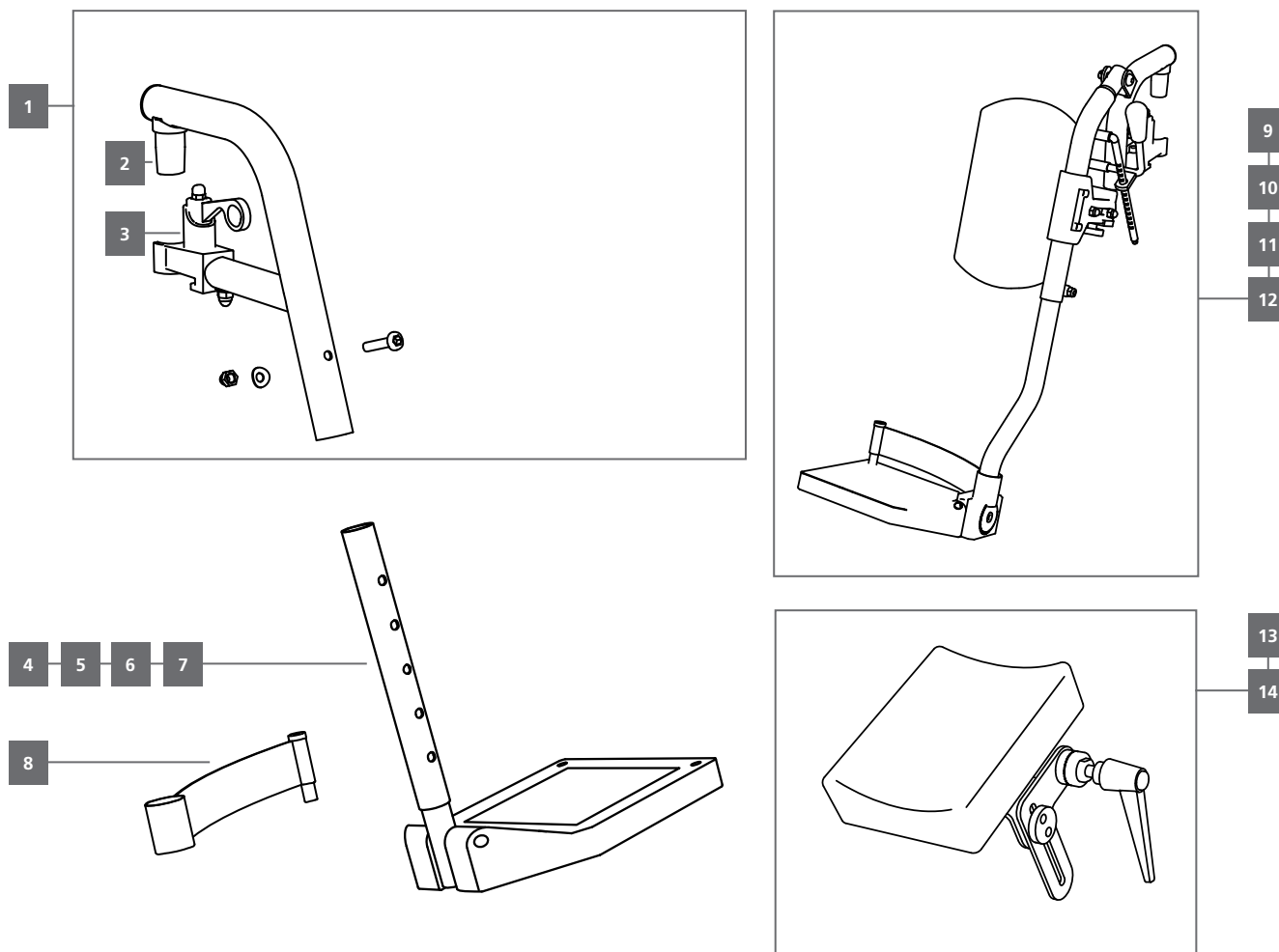


# BASIK



## Standard wheelchair

Assembly <b>Legrest</b>	Product name <b>BASIK</b>	Item no. <b>102039 - 102051 + 102139 - 102151</b>	Version <b>01/2019   V.2.0.0</b>
----------------------------	------------------------------	--	-------------------------------------



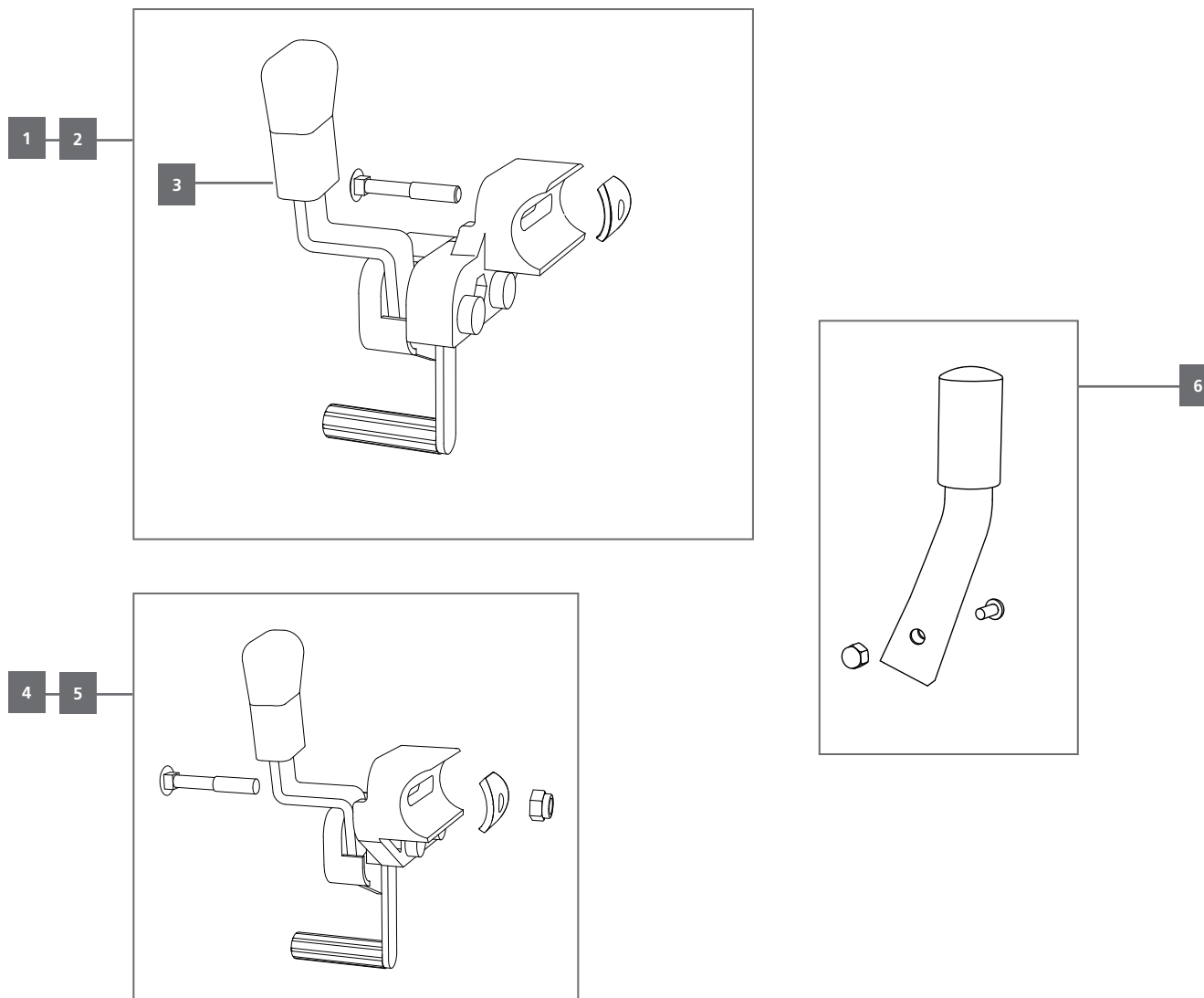
Position	QTY./assembly	Item no.	Description	QTY. supply
01	2	196080	Legrest upper part set complete	pc.
02	2	196083	Pivot pin , legrest, incl. screw	pc.
03	2	196082	Legrest locking lever, incl. screw	pc.
04	1	196084	Legrest lower part, SW 39-42, left, incl. foot plate, without heel strap	pc.
05	1	196085	Legrest lower part, SW 39-42, right, incl. foot plate, without heel strap	pc.
06	1	196086	Legrest lower part, SW 45-51, left, incl. foot plate, without heel strap	pc.
07	1	196087	Legrest lower part, SW 45-51, right, incl. foot plate, without heel strap	pc.
08	2	196088	Heel strap, incl. mounting screw	pc.
09	1	196200	Elevating legrest, SW 39 - 42, right, angle-adjustable-foot plates	pc.
10	1	196201	Elevating legrest, SW 39 - 42, left, angle-adjustable-foot plates	pc.
11	1	196202	Elevating legrest, SW 45 - 51, right, angle-adjustable-foot plates	pc.
12	1	196203	Elevating legrest, SW 45 - 51, left, angle-adjustable-foot plates	pc.
13	1	196204	Amputation legrest set complete, right	pc.
14	1	196205	Amputation Legrest set complete, left	pc.

# BASIK

**TOMTAR**

## Standard wheelchair

Assembly	Product name	Item no.	Version
Park brake	BASIK	102039 - 102051 + 102139 - 102151	01/2019   V.2.0.0



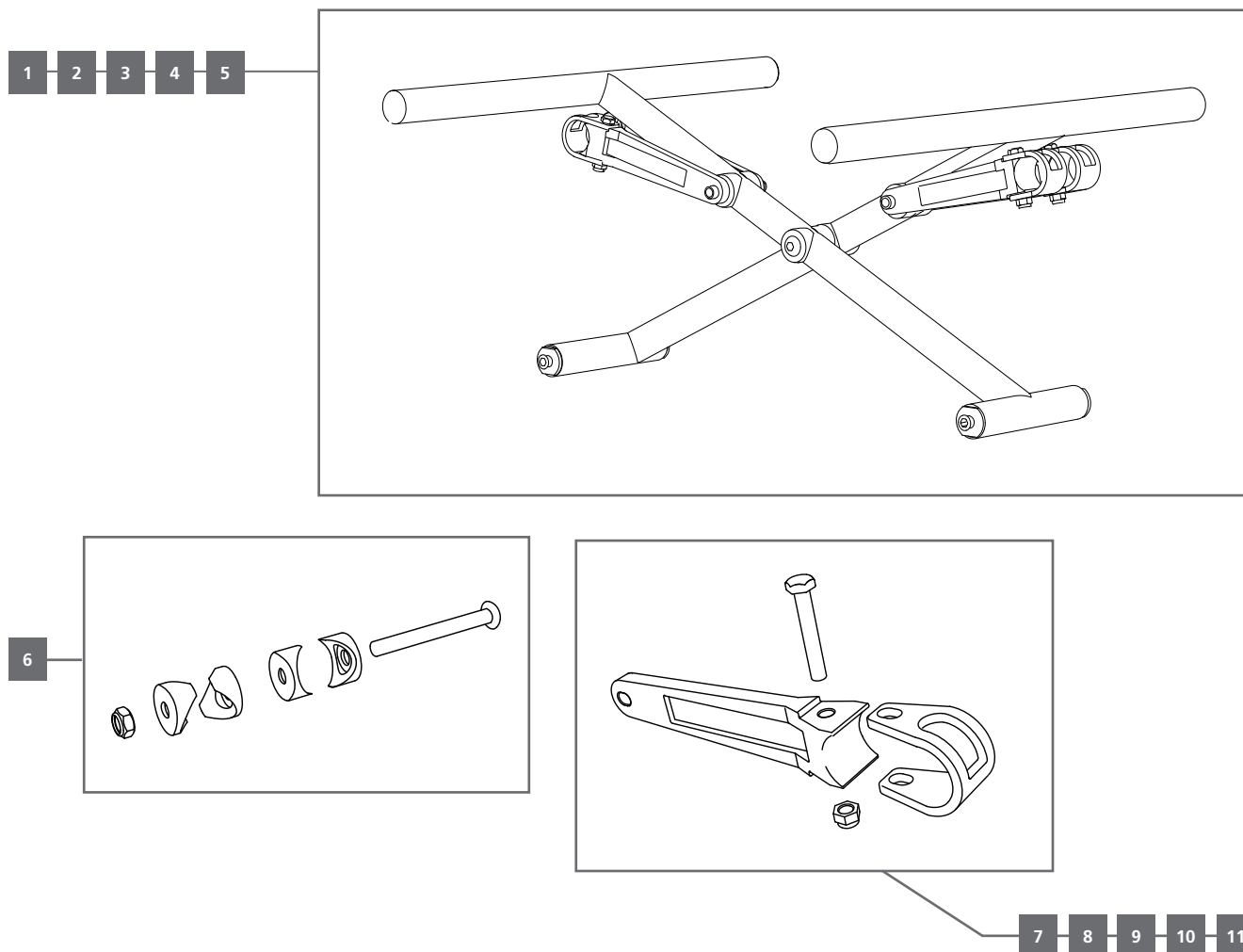
Position	QTY./assembly	Item no.	Description	QTY. supply
01	1	196020	Park brake, right, incl. screw	pc.
02	1	196021	Park brake, left, incl. screw	pc.
03	2	196022	Rubber grip, park brake	pc.
04	1	196216	Park brake right assembled, wheelbase extension	pc.
05	1	196217	Park brake left assembled, wheelbase extension	pc.
06	2	196210	Brake lever extension, left/right incl. screws (pair)	pair

# BASIK

**TOMTAR**

## Standard wheelchair

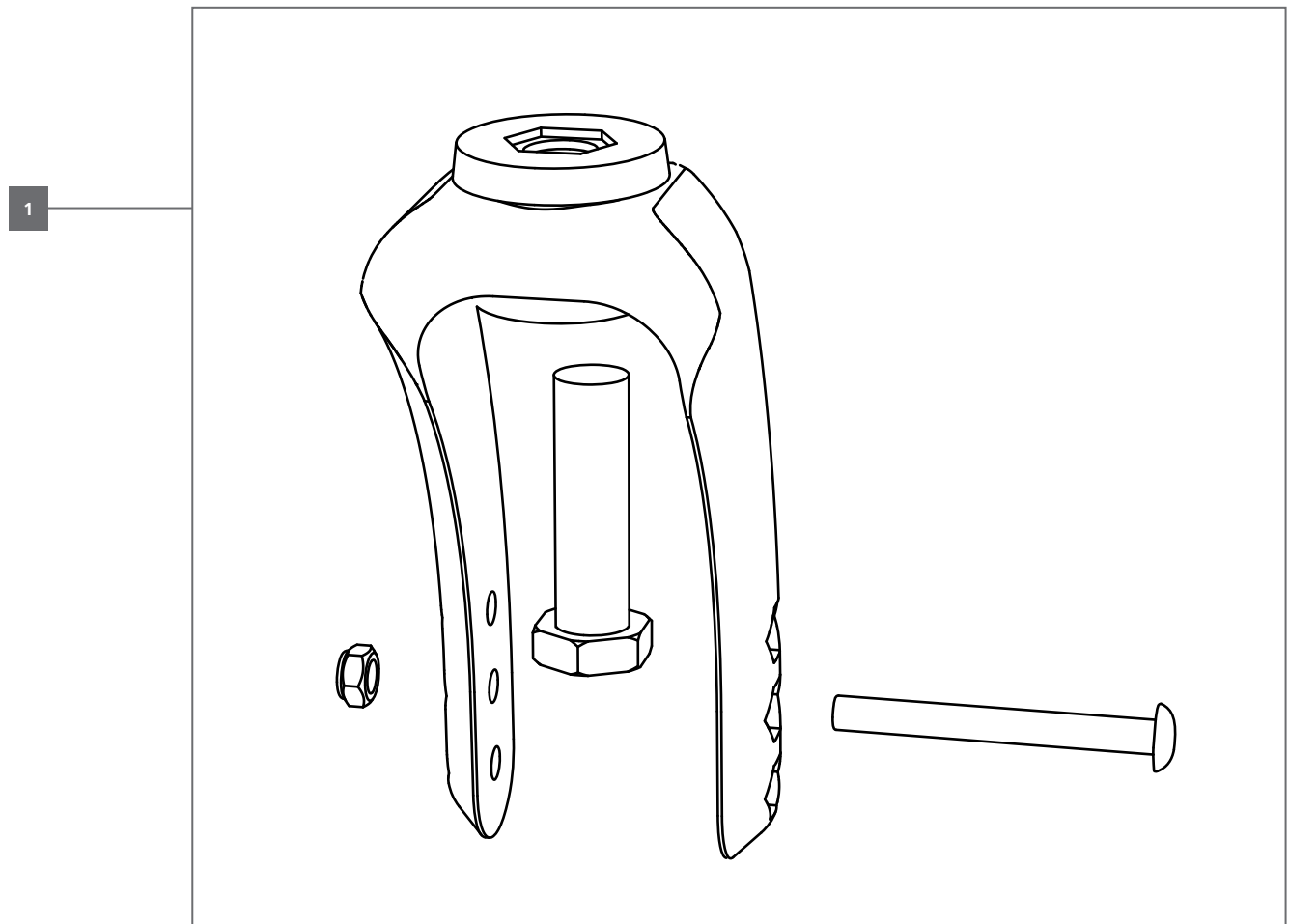
Assembly	Product name	Item no.	Version
Cross brace	BASIK	102039 - 102051 + 102139 - 102151	01/2019   V.2.0.0



Position	QTY./assembly	Item no.	Description	QTY. supply
01	1	196113	crossbrace set complete SW 39	pc.
02	1	196114	crossbrace set complete SW 42	pc.
03	1	196115	crossbrace set complete SW 45	pc.
04	1	196116	crossbrace set complete SW 48	pc.
05	1	196117	crossbrace set complete SW 51	pc.
06	1	196105	Mid-axle set complete, crossbrace	pc.
07	2	196106	Crossbrace mounting rail, SW 39cm, incl. clamp, screw & nut	pc.
08	2	196107	Crossbrace mounting rail, SW 42cm, incl. clamp, screw & nut	pc.
09	2	196108	Crossbrace mounting rail, SW 45cm, incl. clamp, screw & nut	pc.
10	2	196109	Crossbrace mounting rail, SW 48cm, incl. clamp, screw & nut	pc.
11	2	196110	Crossbrace mounting rail, SW 51cm, incl. clamp, screw & nut	pc.

**BASIK****TOMTAR****Standard wheelchair**

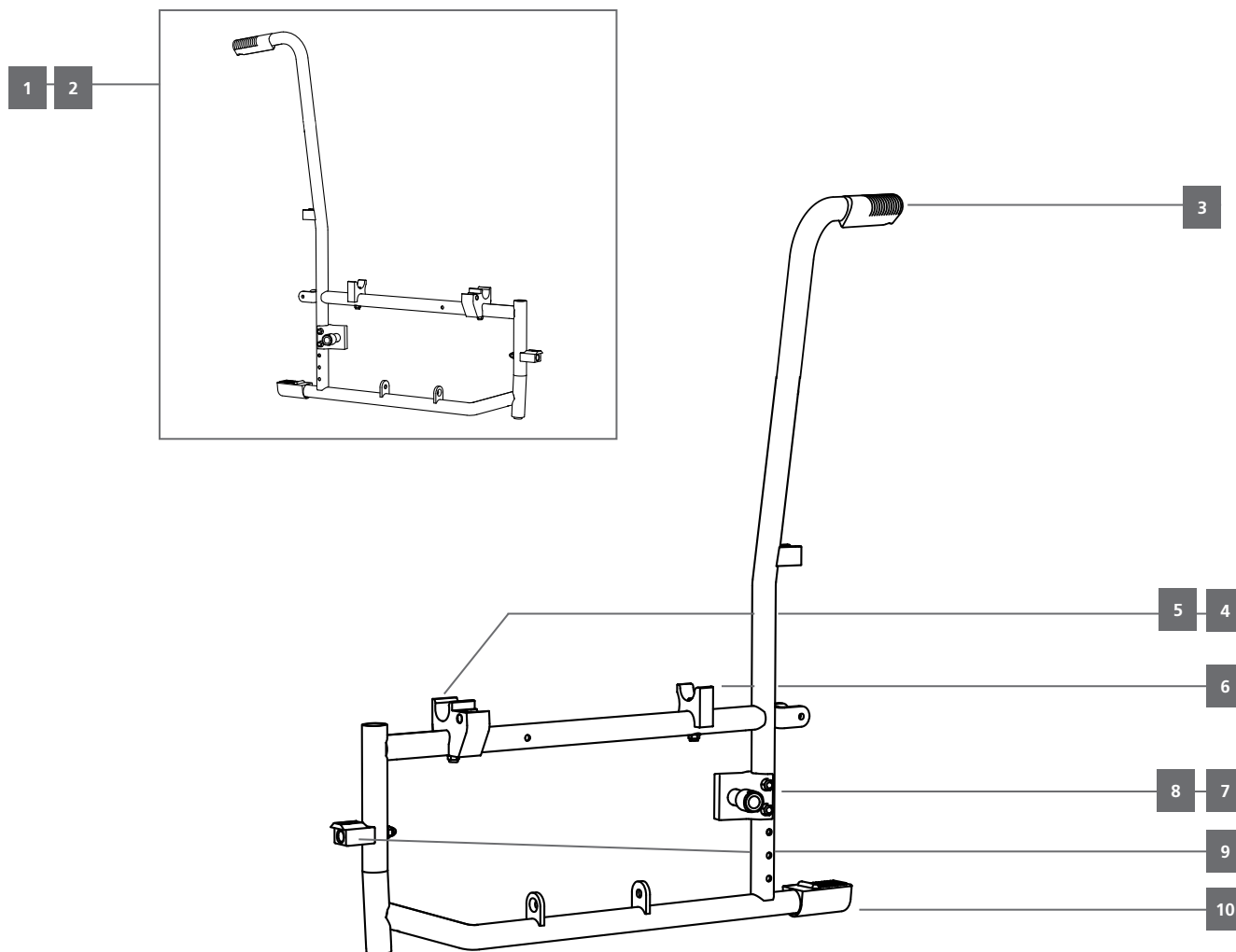
Assembly	Product name	Item no.	Version
Wheel fork	BASIK	102039 - 102051 + 102139 - 102151	01/2019   V.2.0.0



Position	QTY./assembly	Item no.	Description	QTY. supply
01	2	196015	Wheel fork set complete, swivel wheel (set for one side)	pc.

**BASIK****TOMTAR****Standard wheelchair**

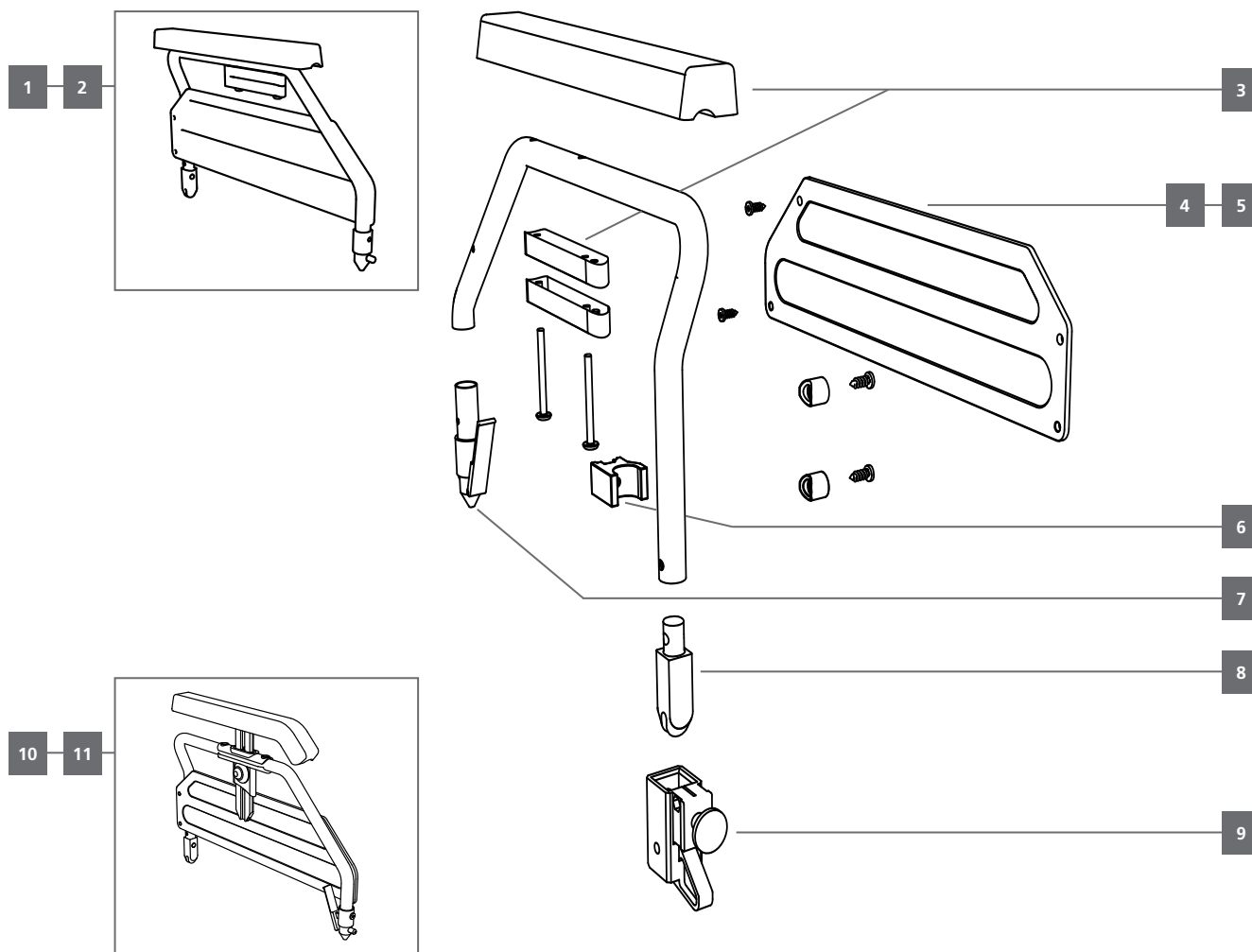
Assembly	Product name	Item no.	Version
Side frame	BASIK	102039 - 102051 + 102139 - 102151	01/2019   V.2.0.0



Position	QTY./assembly	Item no.	Description	QTY. supply
01	1	196000	Sideframe cpl., right, incl. mounting sockets, handgrip, tipping cap	pc.
02	1	196001	Sideframe cpl., left, incl. mounting sockets, handgrip, tipping cap	pc.
03	2	196005	Grip left/right, pair	pair
04	1	196009	Front socket , right, incl. screw, sideguard	pc.
05	1	196010	Front socket , left, incl. screw, sideguard	pc.
06	2	196008	Rear socket crossbrace, incl. screw, right/left	pc.
07	2	196030	Drive wheel adapter cpl. set, right/left	pc.
08	2	196031	Drive wheel adapter cpl. set, drum brake right/left	pc.
09	2	196011	Socket, legrest, incl. screw	pc.
10	2	196004	Tipping cap wheelchair, black	pc.

**BASIK****TOMTAR****Standard wheelchair**

Assembly	Product name	Item no.	Version
Side panel	BASIK	102039 - 102051 + 102139 - 102151	01/2019   V.2.0.0



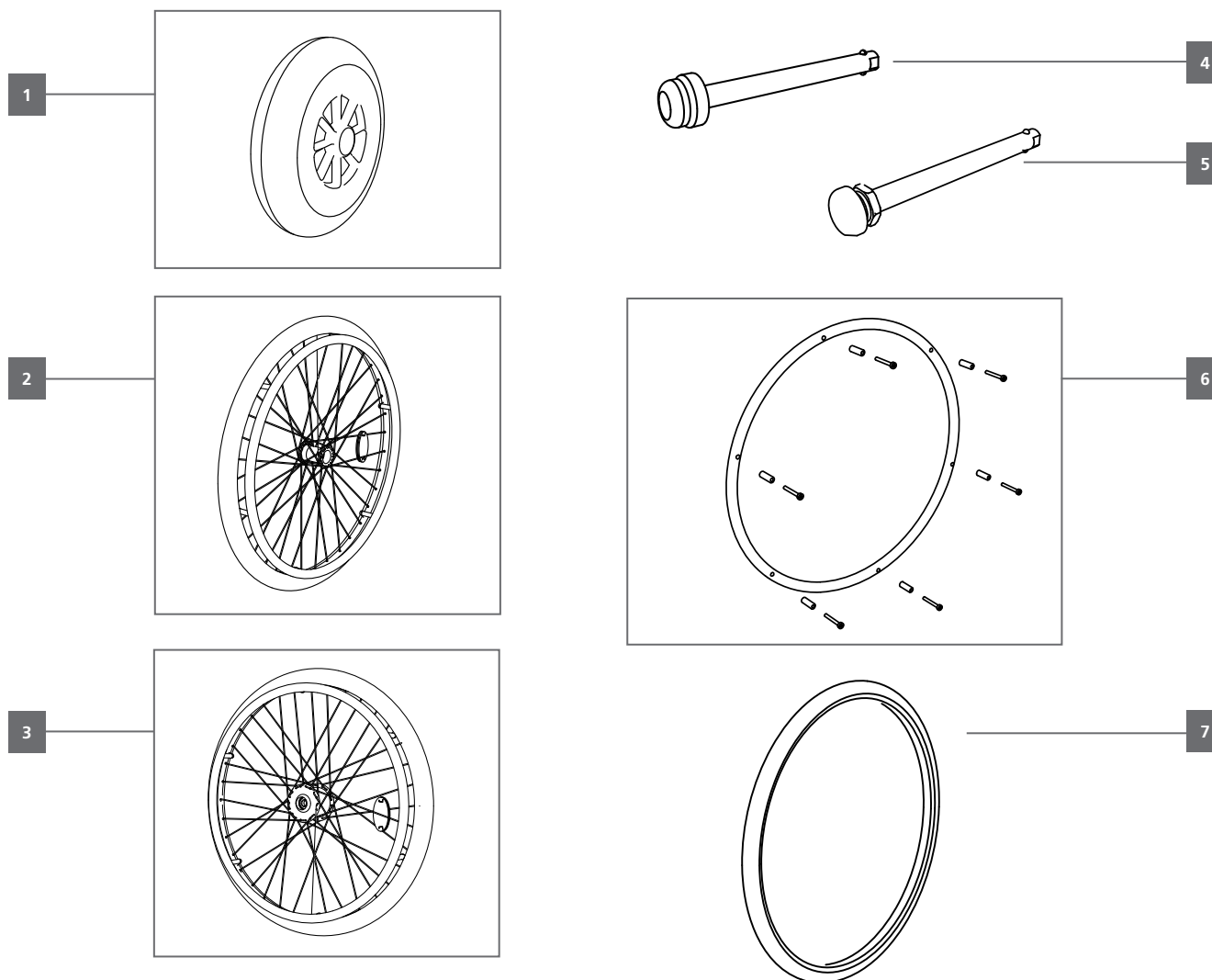
Position	QTY./assembly	Item no.	Description	QTY. supply
01	1	196070	Sideguard set complete, right	pc.
02	1	196071	Sideguard set complete, left	pc.
03	2	196072	Armpad PU, incl. height adjustment & screws	pc.
04	1	196077	Sideskirt black left incl. 4 screws	pc.
05	1	196078	Sideskirt black right incl. 4 screws	pc.
06	2	196075	Sideguard locking rear, incl. screw, left/right	pc.
07	2	196073	Release pin front. incl. screw, left/right	pc.
08	2	196076	Sideguard pin rear, including screw	pc.
09	2	196074	Sideguard socket rear, incl. screw, left/right	pc.
10	1	196214	Sideguard hight adj., aluminium, right set complete	pc.
11	1	196215	Sideguard hight adj., aluminium, left set complete	pc.

# BASIK



## Standard wheelchair

Assembly <b>Wheels</b>	Product name <b>BASIK</b>	Item no. <b>102039 - 102051 + 102139 - 102151</b>	Version <b>01/2019   V.2.0.0</b>
---------------------------	------------------------------	--	-------------------------------------

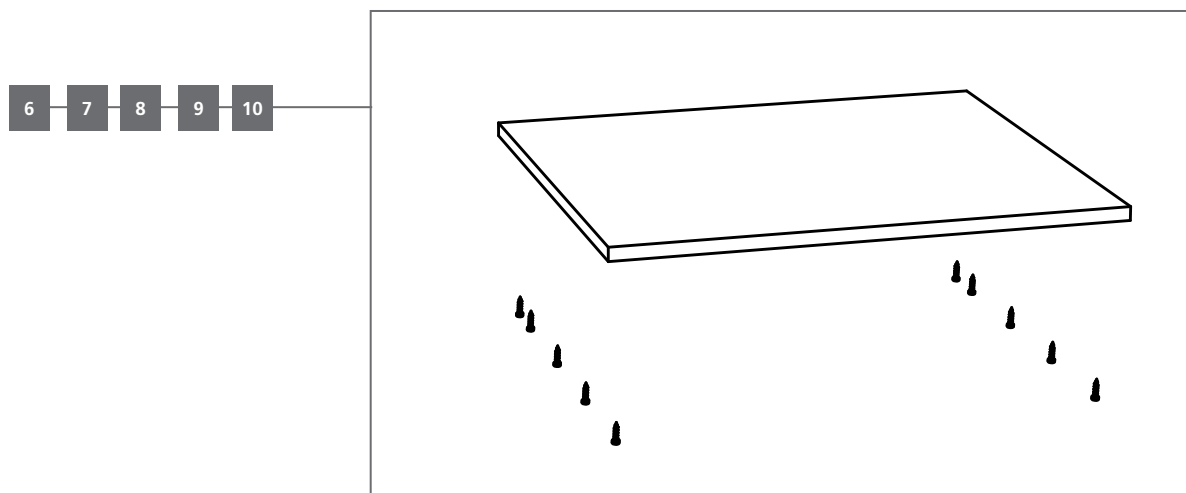
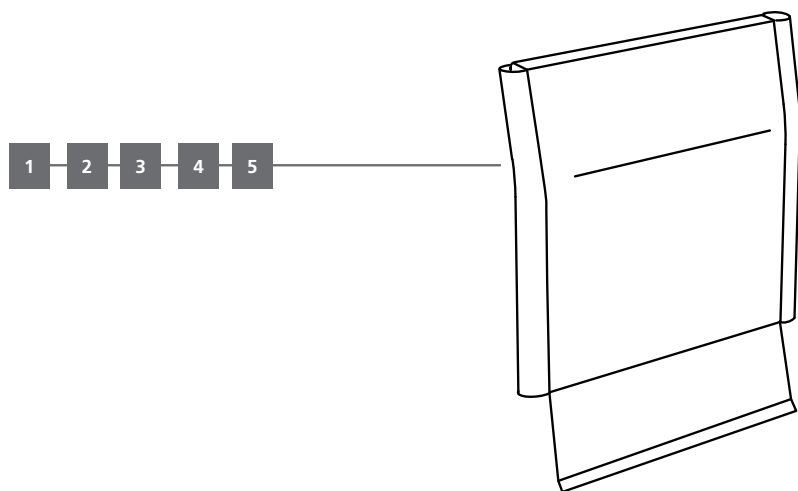


Position	QTY./assembly	Item no.	Description	QTY. supply
01	2	196036	Wheel, 7", PU groove tread, grey, rim black	pc.
02	2	196037	Wheel, 24", alu, PU block tread, grey, rim grey, hub black, push rim silver	pc.
03	2	196038	Wheel, 24", hub DB, alu, PU block tread, grey, rim grey, hub/push rim silver	pc.
04	2	196034	Quick release axle, hub standard	pc.
05	2	196035	Quick release axle, hub drum brake	pc.
06	2	196040	Push rim, for 24" rim, alu, silver, cpl.	pc.
07	2	196039	Tyre, for 24" rim, PU block tread, grey	pc.
w/o fig.	2	400695	Push rim cover silicon black grooved, drive wheel 24"	pc.
w/o fig.	2	400696	Push rim cover, silicon, black /smooth, drive wheel 24"	pc.
w/o fig.	2	400693	Push rim cover, silicon, black/grooved, drive wheel 22"	pc.
w/o fig.	2	402206	Spoke guard transparent, complete, drive wheel 24"	pc.
w/o fig.	2	402207	Spoke guard transparent, complete, drive wheel 22"	pc.



**BASIK****TOMTAR****Standard wheelchair**

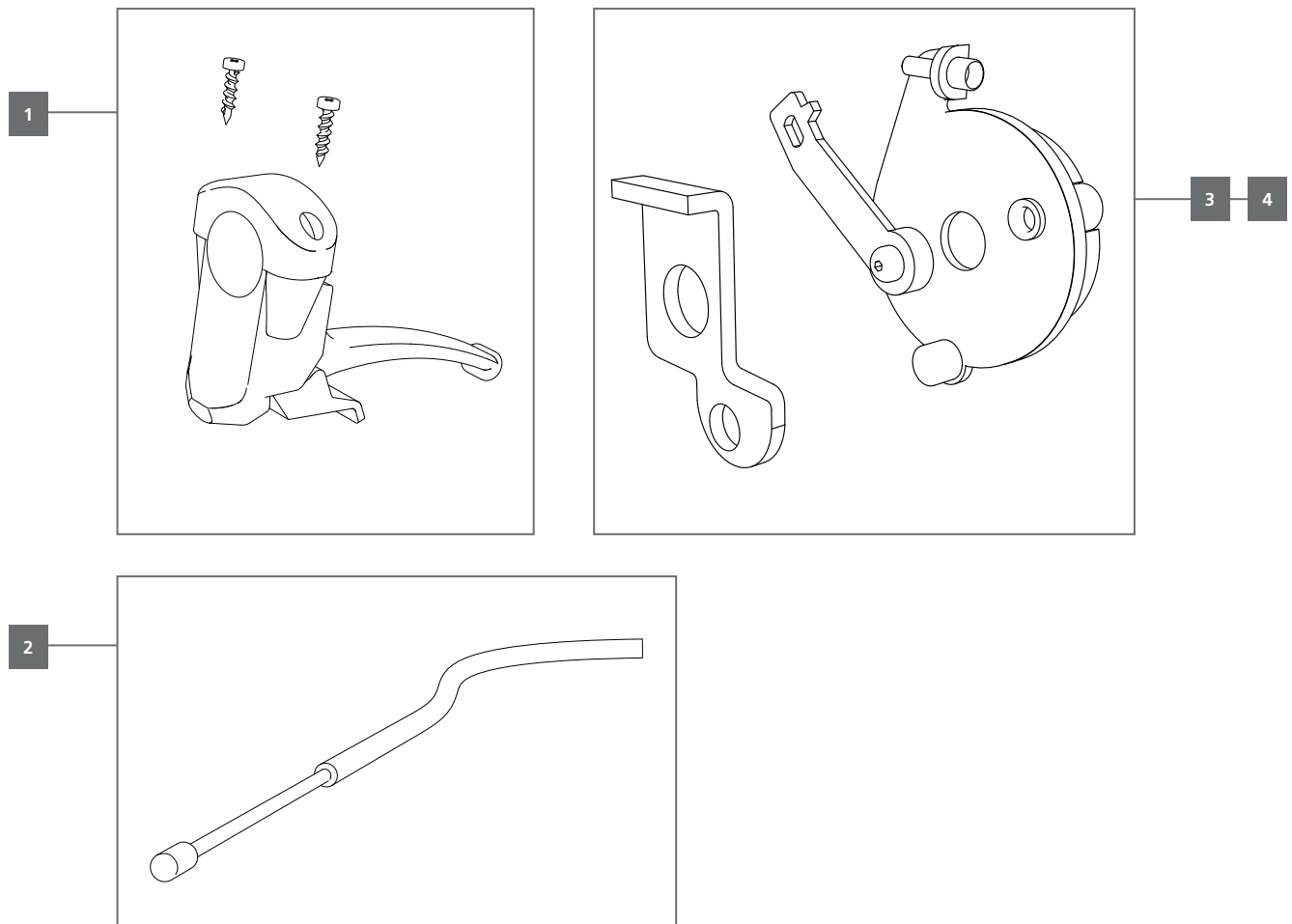
Assembly	Product name	Item no.	Version
Seat	BASIK	102039 - 102051 + 102139 - 102151	01/2019   V.2.0.0



Position	QTY./assembly	Item no.	Description	QTY. supply
01	1	196050	Backrest cushion SW 39, incl. 2 screws	pc.
02	1	196051	Backrest cushion SW 42, incl. 2 screws	pc.
03	1	196052	Backrest cushion SW 45, incl. 2 screws	pc.
04	1	196053	Backrest cushion SW 48, incl. 2 screws	pc.
05	1	196054	Backrest cushion SW 51, incl. 2 screws	pc.
06	1	196060	Seat upholstery, SW 39, incl. 10 screws	pc.
07	1	196061	Seat upholstery, SW 42, incl. 10 screws	pc.
08	1	196062	Seat upholstery, SW 45, incl. 10 screws	pc.
09	1	196063	Seat upholstery, SW 48, incl. 10 screws	pc.
10	1	196064	Seat upholstery, SW 51, incl. 10 screws	pc.

**BASIK****TOMTAR****Standard wheelchair**

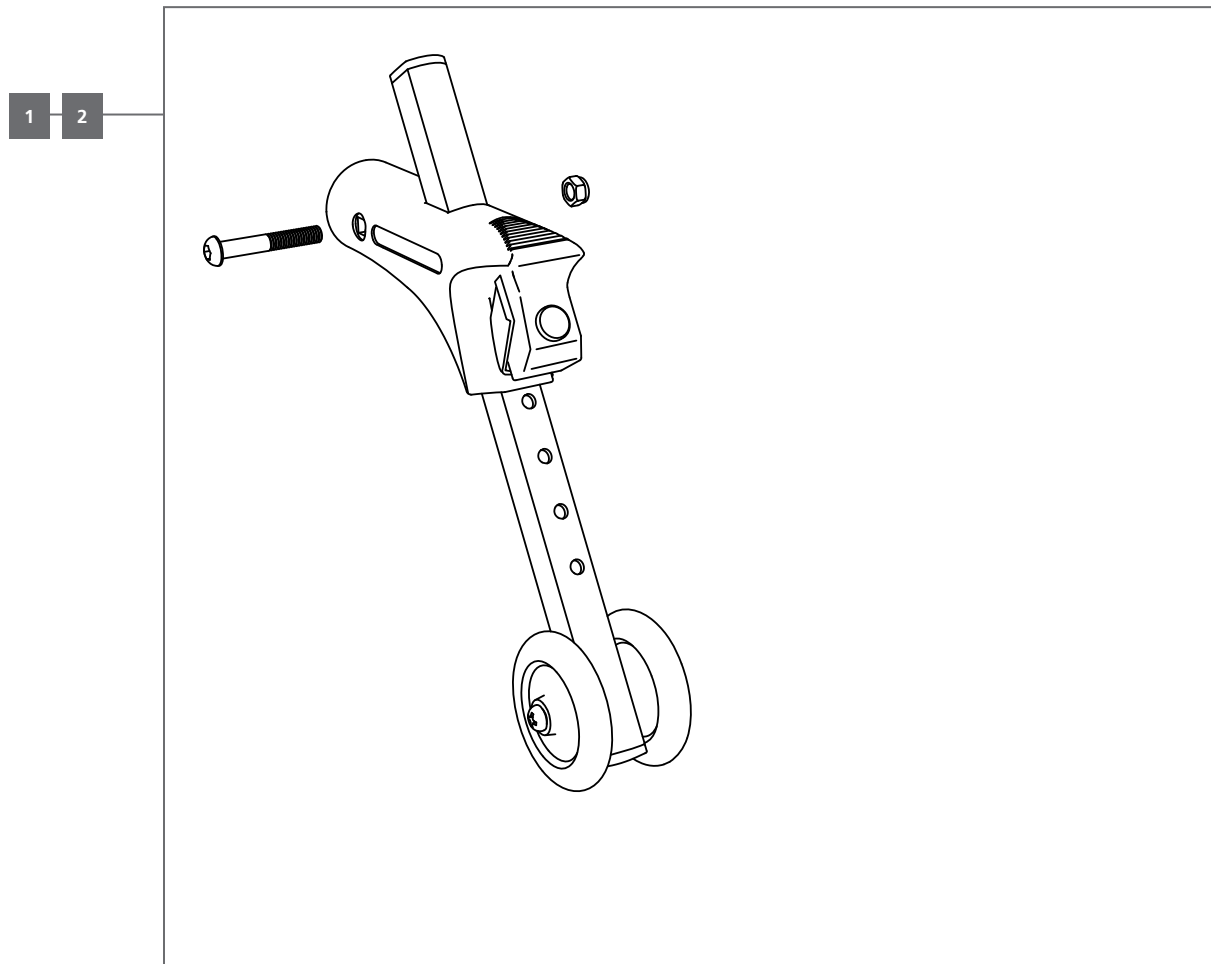
Assembly	Product name	Item no.	Version
Drum brake	BASIK	102139 - 102151	01/2019   V.2.0.0



Position	QTY./assembly	Item no.	Description	QTY. supply
01	2	196023	Brake lever incl screws, attendant brake	pc.
02	2	196024	Brake cable and housing	pc.
03	1	196025	Brake carrier system cpl., right	pc.
04	1	196026	Brake carrier system cpl., left	pc.

**BASIK****TOMTAR****Standard wheelchair**

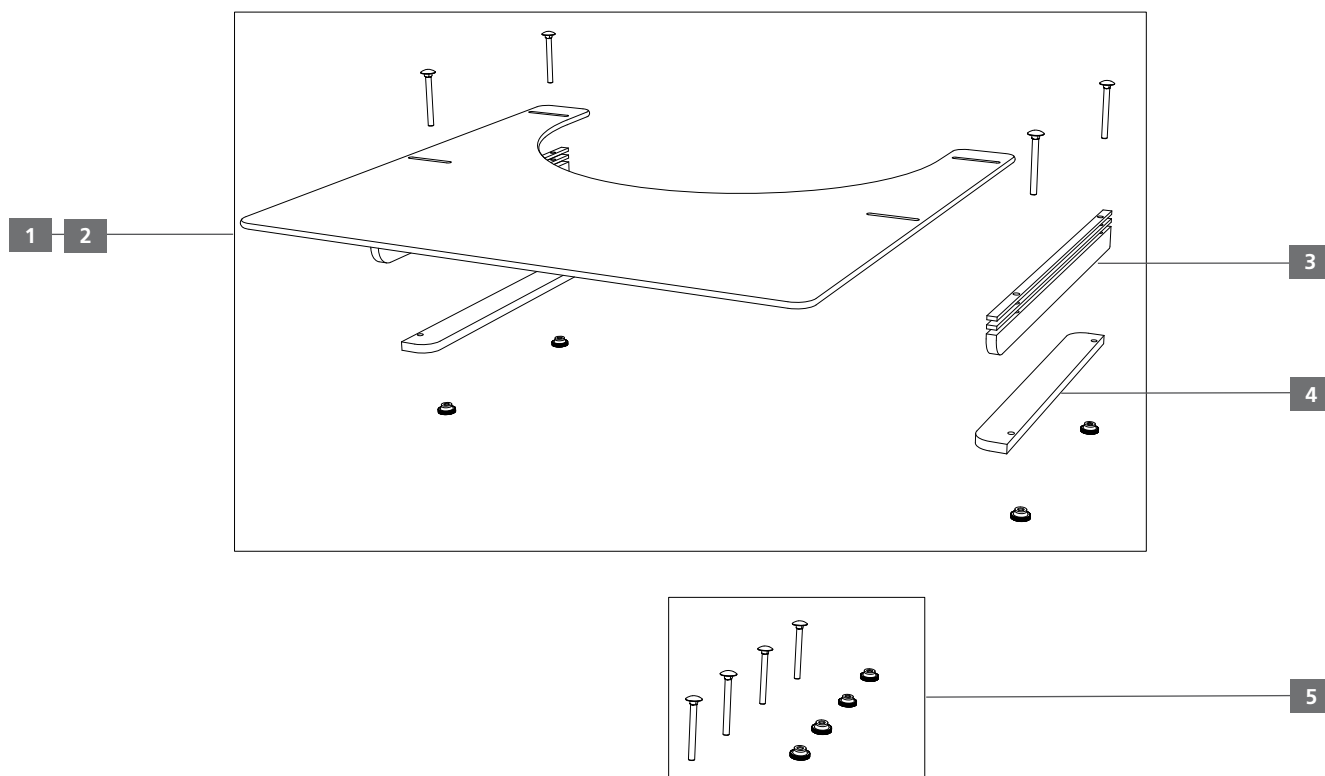
Assembly	Product name	Item no.	Version
Anti-tip wheel	BASIK	102039 - 102051 + 102139 - 102151	01/2019   V.2.0.0



Position	QTY./assembly	Item no.	Description	QTY. supply
01	1	196206	Anti-tip wheel, left/right	pc.

**BASIK****TOMTAR****Standard wheelchair**

Assembly	Product name	Item no.	Version
Activity tray	BASIK	102039 - 102051 + 102139 - 102151	01/2019   V.2.0.0



Position	QTY./assembly	Item no.	Description	QTY. supply
01	1	402270	Activity tray for SW 36-45 cm, acrylglas (adjustable width 48-57,5 cm) complete	pc.
02	1	402271	Activity tray for SW 48-51 cm, acrylglas (adjustable width 53,5- 63 cm) complete	pc.
03	4	400911	Support rails long for activity tray (2x25 & 2x4mm rails from set)	set
04	2	400912	Support rails short for activity tray (set = 2 rails)	set
05	1	401719	Screw set for activity tray (set = 4 screws & 4 knurled nuts)	set

**BASIK****TOMTAR****Standard wheelchair**

Assembly	Product name	Item no.	Version
Walking Stick holder	BASIK	102039 - 102051 + 102139 - 102151	01/2019   V.2.0.0



Position	QTY./assembly	Item no.	Description	QTY. supply
01	1	402260	Walking stick holder complete, 25 mm cane	pc.

**BASIK****TOMTAR****Standard wheelchair**

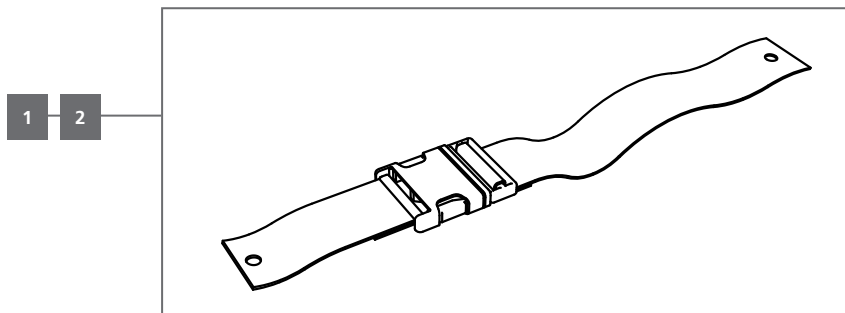
Assembly	Product name	Item no.	Version
Folding lock	BASIK	102039 - 102051 + 102139 - 102151	01/2019   V.2.0.0



Position	QTY./assembly	Item no.	Description	QTY. supply
01	1	410017	Folding lock, black , SW 39-60 cm	pc.

**BASIK****TOMTAR****Standard wheelchair**

Assembly	Product name	Item no.	Version
Other	<b>BASIK</b>	102039 - 102051 + 102139 - 102151	01/2019   V.2.0.0



Position	QTY./assembly	Item no.	Description	QTY. supply
01	1	196208	Lap belt for SW 39 - 45cm	pc.
02	1	196209	Lap belt for SW 48 - 51cm	pc.
w/o fig.	1	400810	Head rest, complete for SW 40-56 cm	pc.
w/o fig.	1	400351	Shopping net for folding wheelchair	pc.
w/o fig.	1	190016	Infusion holder, stainless steel, with two arm holder of plastic	pc.