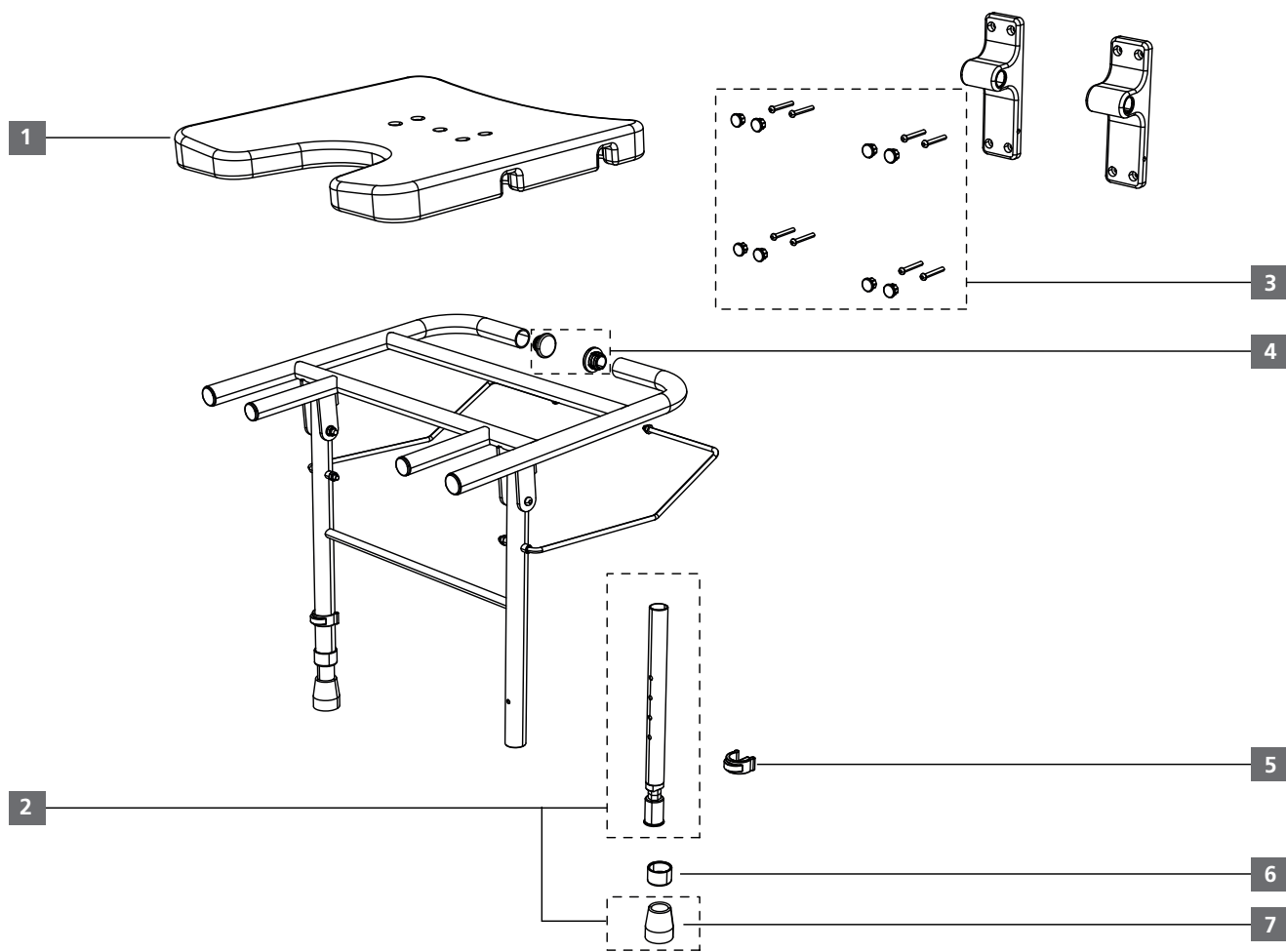


9404-A



Folding shower seat

Product name	Product design	Item no.	Version
9404-A	Shower seat, foldable	411220	V 3.0.0 2021-10



Position	QTY./ Product	Item no.	Description	QTY. supply
3	1	600913	Seat with hygiene cutout	Pc.
4	1	000204	Telescopic leg incl. adjustment screw and rubber foot	Pc.
5	8	000260	Screw set incl. plug, wall bracket (set = 4 pcs.)	Set
6	2	000219	Tailpipe plugs, rear seat frame, (set = 2 pcs.)	Set
7	4	000263	Pin clip, telescopic leg	Pc.
8	4	000288	Guide cuff, telescopic leg	Pc.
9	4	000264	Rubber feet, telescopic leg	Pc.