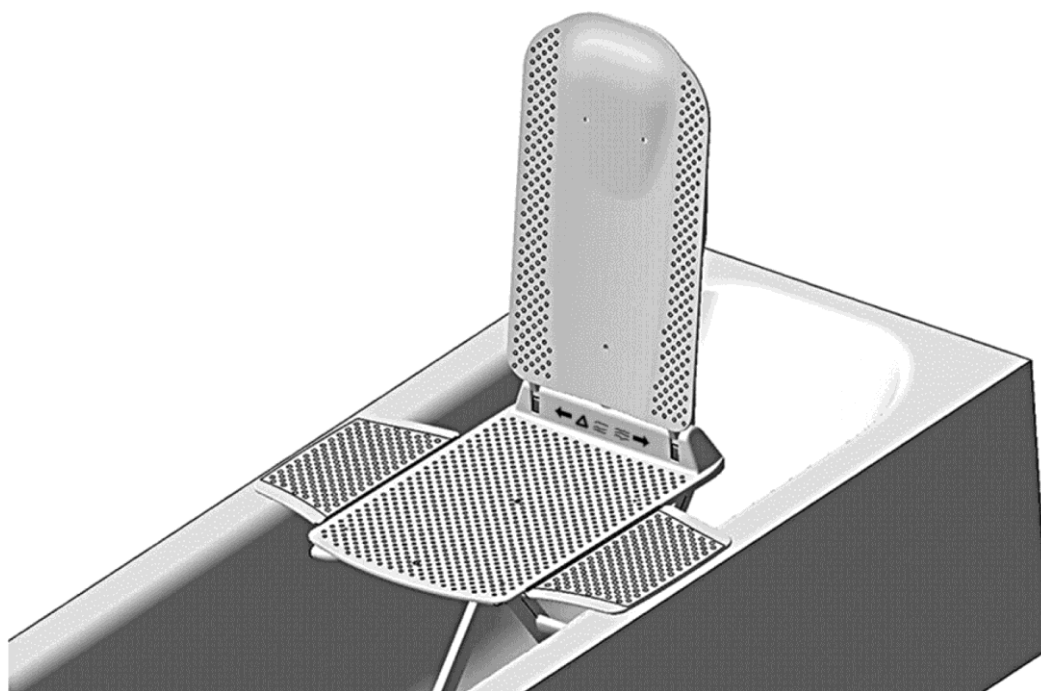


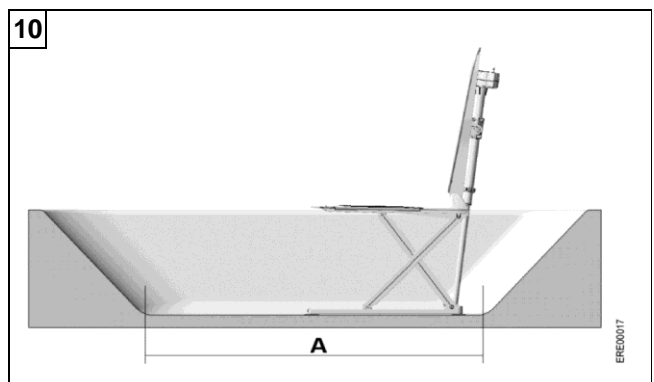
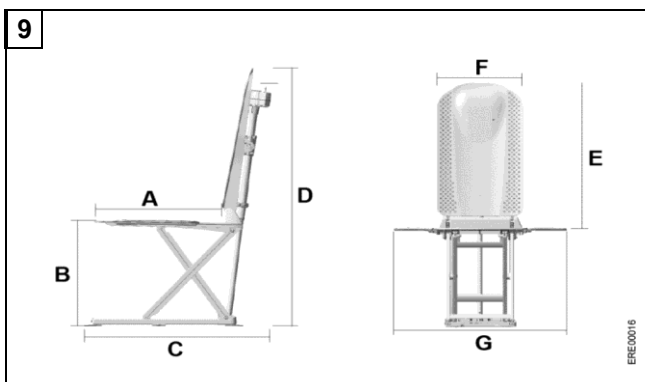
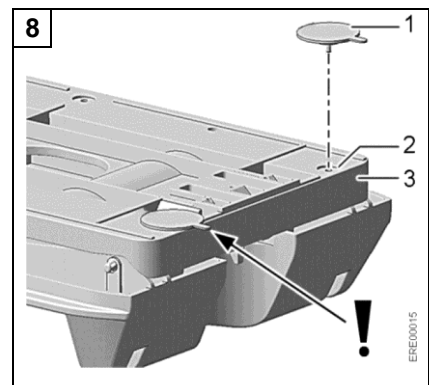
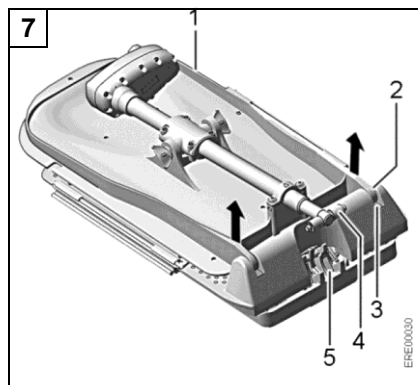
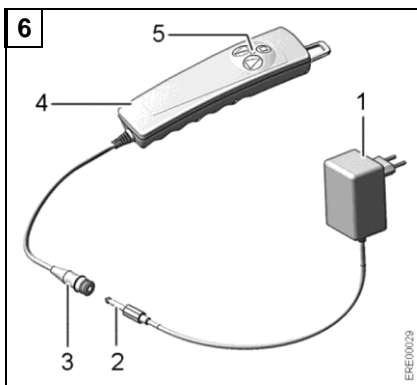
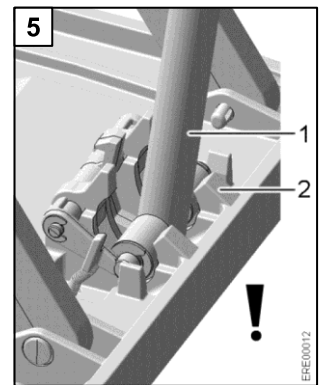
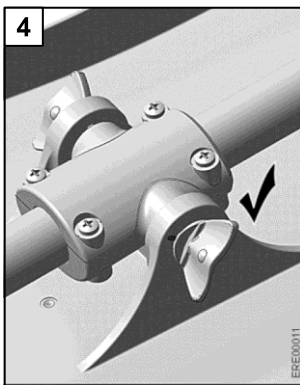
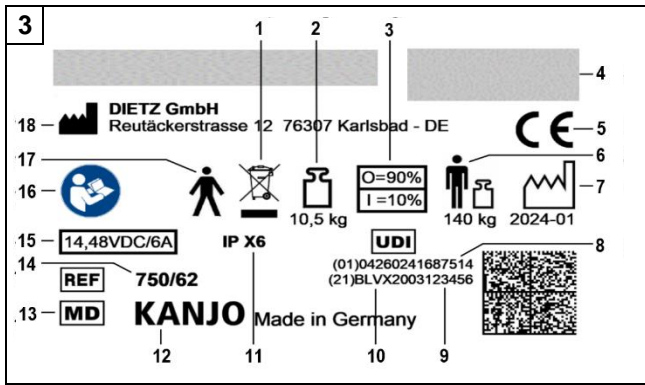
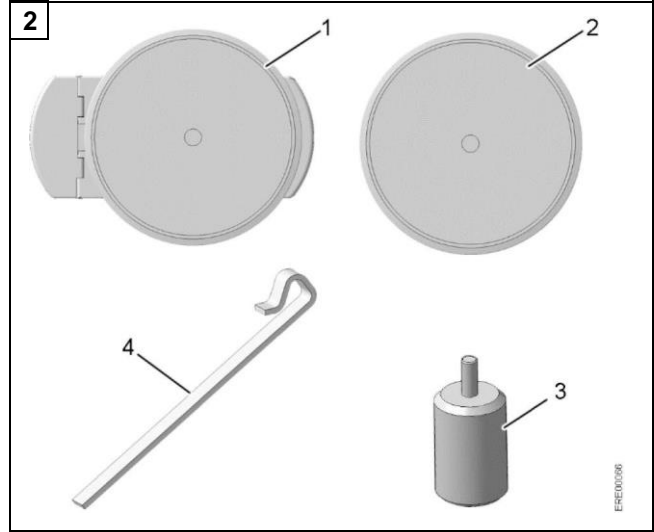
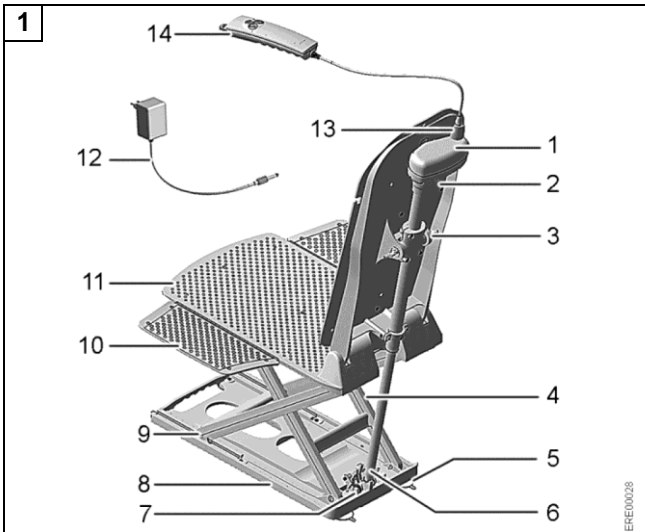
OPERATING INSTRUCTIONS

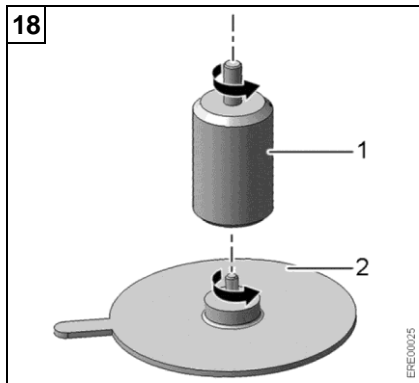
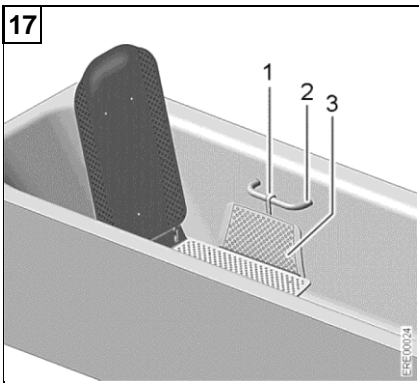
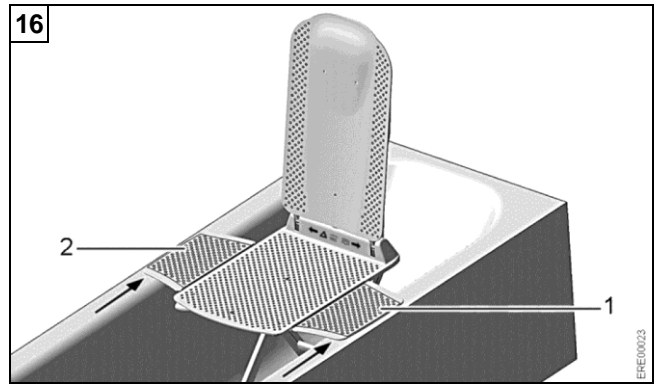
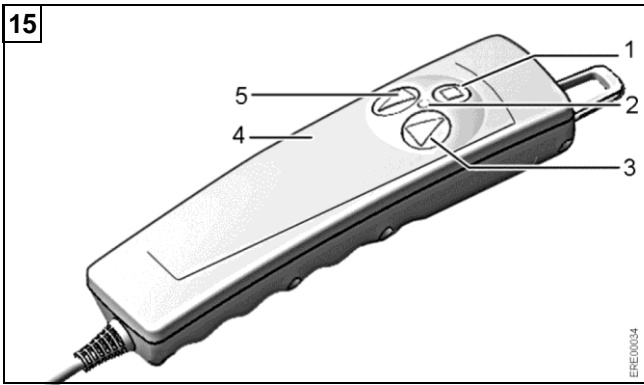
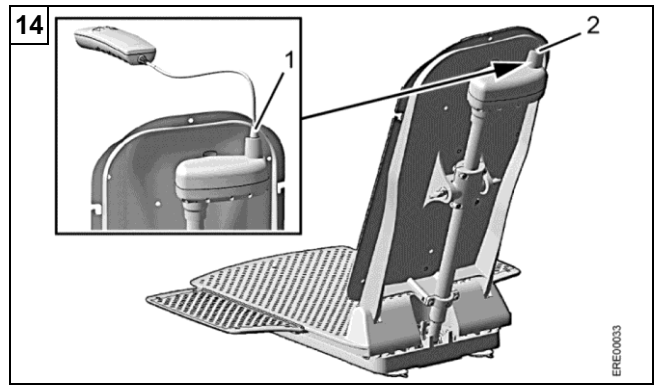
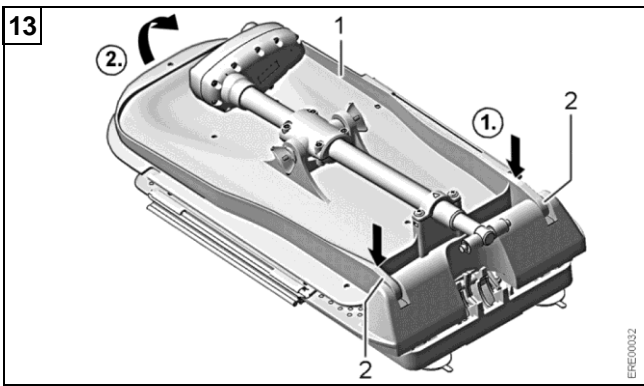
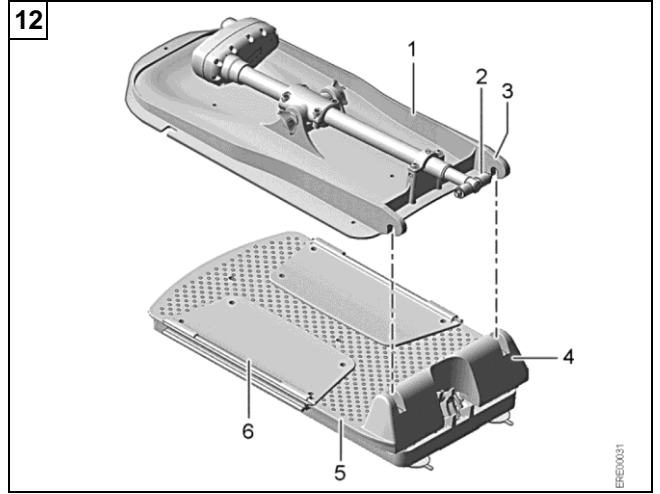
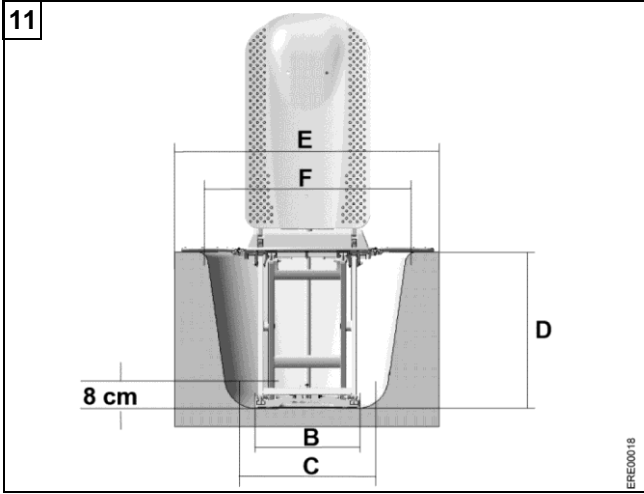
KANJO

Bath tub lifter



ERE00007





Contents

1	General instructions	5
1.1	Introduction	5
1.2	Proper use.....	5
1.3	Disposal	5
1.4	CE mark	5
1.5	Reuse / conditioning.....	5
1.6	Service life	5
2	Safety instructions.....	6
2.1	Warning notices and symbols	6
2.2	General safety information	6
2.3	Safety information relating to electromagnetic compatibility	6
3	Description	6
3.1	Scope of delivery	7
3.2	Accessories.....	7
3.3	Rating plate.....	7
3.4	Technical data.....	7
4	Transport and storage.....	8
5	Putting the bath tub lifter into operation.....	8
5.1	Charging the hand control battery.....	8
5.2	Fitting the suction feet.....	8
5.3	Assembling the seat unit in the bath tub	9
5.4	Fitting the backrest.....	9
5.5	Check before use.....	9
6	Operating the bath tub lifter	10
6.1	Hand control.....	10
6.2	Raising the seat	10
6.3	Lowering the seat.....	10
6.4	EMERGENCY STOP function	10
7	Bathing	10
8	Disassembling the bath tub lifter	11
9	Troubleshooting.....	11
10	Maintenance and care.....	12
10.1	Seat unit and backrest	12
10.2	Hand control and charger	12
10.3	Maintenance and inspection	12
11	Fitting accessories	12
11.1	Fitting the sideflap diverter	12
11.2	Fitting the height adapters.....	12

1 General instructions

1.1 Introduction

These operating instructions contain information about how to use the bath tub lifter safely and properly.

Read the operating instructions carefully before putting the bath tub lifter into operation and follow all the instructions, particularly the safety instructions.

If reference is made in the text to illustrations, the structure for these is as follows: **(Figure 3,1)** means item 1 in the figure 3.

Keep all documents in a safe place.

On the website www.dietz-reha.com, you can download the operating instructions to view them at a larger scale on a monitor or a display.

1.2 Proper use

The bath tub lifter is intended solely for use by persons bathing in the bath tub. This requires sufficient torso control and residual functional capability of the extremities.

Any other form of use is not permitted.

Indications

Significantly reduced function / lack of functional capability in the upper and/or lower extremities, when it is no longer possible for the user to get into and out of a bath tub mainly without assistance, or when sitting up and sitting down is no longer possible. There must still be sufficient torso control and residual functional capability of the extremities.

Chronic consequences of illness resulting in functional restrictions in the lower and/or upper extremities that no longer allow bathing without assistance, if however using the bath tub lifter enables bathing largely without assistance and other bathing aids are not sufficient to offset the effects of the disability.

Contraindications

No contraindications are known if the lifter is used properly.

1.3 Disposal

Old appliances and packaging must be disposed of and recycled in accordance with the valid national regulations.

The product consists of recyclable materials.

The bath tub lifter contains a rechargeable lithium-ion battery. Old batteries do not belong in with normal domestic refuse, but should be disposed of separately in accordance with the national regulations.

1.4 CE mark

The technical requirements for the unit are described in DIN EN ISO 10535 (lifter) and have been adhered to. The product complies with the medical products directive (EU) 2017/745.

1.5 Reuse / conditioning

The bath tub lifter is intended for reuse. The amount of reuse depends on the condition of the product in question.

When conditioning, follow the manufacturer's conditioning and hygiene guidelines. The manufacturer can provide these guidelines on request.

1.6 Service life

The bath tub lifter is designed for a service life of 5 years, provided that it is used properly and that **all** maintenance and inspection intervals are observed.

This service life can be exceeded if the bath tub lifter is handled, serviced, cleaned and used carefully. Extreme or improper use can however significantly reduce its service life.

Stating the service life does not constitute a guarantee.

2 Safety instructions

2.1 Warning notices and symbols

The warning notices in these operating instructions are divided up into the categories "Warning", "Caution" and "Notice".

⚠ WARNING identifies a possibly hazardous situation. Death or serious injury can be the consequence if the warning notice is not observed.

⚠ CAUTION identifies a possibly hazardous situation. Injury can be the consequence if the warning notice is not observed.

NOTICE identifies a possibly hazardous situation. The product can be damaged if the warning notice is not observed.

2.2 General safety information

The bath tub lifter must only be used inside the bath tub for the purpose of bathing persons.

Do not use the bath tub lifter as an aid to step into or out of the bath, as a climbing aid, as an underlay, as a lifting platform or for other purposes.

While the bath tub lifter's seat is being raised or lowered, do not put your hands under the seat section or between the edge of the tub and the bath tub lifter. Danger of crush injury!

Use the bath tub lifter only in bath tubs that are of the corresponding size (see Section 5.3).

Persons with limited movement and body functions should only use the bath tub lifter under supervision. Severely disabled persons may only be bathed under the supervision of a carer.

If operating the device without supervision, make sure to have an alarm system or telephone within reach in case of unforeseen events (e.g. malfunctions).

Sit still while using the bath tub lifter. Avoid extreme body movements.

Do not overload the bath tub lifter. Pay attention to the information on the rating plate (see Section 3.3).

Contact your authorised dealer immediately in the event of malfunctions.

Do not make any unauthorised modifications or conversions on the bath tub lifter.

Make sure that objects taken into the bath tub (e.g. brushes) do not get stuck in the vicinity of the lifting scissors. If objects get stuck in the vicinity of the lifting scissors: Do not lower the bath tub lifter's seat any further.

Before each use, check the position of the bolts on the spindle retainer (see Figure 4).

The drive is protected against jets of water, but not against submersion. Do not submerge the drive in water.

Do not throw the hand control onto a fire or keep it close to strong heat sources. Explosion hazard!

Hot water, sunlight or hot air can cause the surface of the product to become hot. Risk of burns!

Serious incidents relating to the product must be reported to the manufacturer and the competent authority.

2.3 Safety information relating to electromagnetic compatibility

This product complies with the standard IEC 60601-1-2 Medical electrical equipment, Parts 1-2 (electromagnetic compatibility). Nevertheless, special safety measures must be observed during use:

When close to the bath tub lifter, do not use mobile phones or other devices that generate strong electrical or electromagnetic fields. These can cause a malfunction and a potentially unsafe situation. If possible, maintain a distance of at least 2 m from the bath tub lifter.

3 Description

The bath tub lifter is available in the following versions:

- Standard POWER
- Standard ECO
- B-Protect (with antimicrobial and water-repellent coating)
- Standard XL

3.1 Scope of delivery

The following components are included in the bath tub lifter's scope of delivery (Figure 1):

- 1 Drive
 - 2 Backrest¹
 - 3 Spindle retainer bolts (2)
 - 4 Lifting scissors
 - 5 Suction feet (4)
 - 6 Drive base
 - 7 Drive base mount
 - 8 Base plate
 - 9 Gliding shoe
 - 10 Sideflaps (2)
 - 11 Seat section¹
 - 12 Charger
 - 13 Jack plug
 - 14 Hand control with curled cable¹
- Operating instructions (not shown)

Details in the illustration can differ from the actual construction.

¹ Applied Part

3.2 Accessories

The following accessories are available for the bath tub lifter (Figure 2):

- 1 Turntable / transfer aid
- 2 Turntable
- 3 Height adapter
- 4 Sideflap diverter

3.3 Rating plate

The rating plate (Figure 3) is attached to the bottom side of the seat section (as from 01/2017) to the rear side of the backrest). The rating plate shows the following information (exemplary illustration):

- 1 WEEE mark
- 2 Total weight
- 3 Duty cycle
- 4 Sales/service address
- 5 Conformity marking
- 6 Maximum user weight
- 7 Production period
- 8 Product identification number
- 9 Serial number
- 10 Device designation
- 11 Degree of protection
- 12 Product name
- 13 Marking as a medical product
- 14 Item number
- 15 Rated voltage/rated consumption
- 16 Notice (refer to the accompanying documents)
- 17 Type B applied part
- 18 Manufacturer

3.4 Technical data

Bath tub lifter (Figure 9)

Total weight, excluding hand control	10.5 kg (23 lbs) XL: 11.1 kg (24.5 lbs)
Weight, seat unit	6.8 kg (15 lbs) XL: 7.4 kg (16.3 lbs)
Weight, backrest	3.7 kg (8.2 lbs)
Weight, hand control (ECO)	0.47 kg (0,42 kg) (1 lbs)
Seat depth (A)	500 mm (19.7 in.)
Seat height max. (B)	455 mm (17.9 in.)
Seat height min.	65 mm (2.6 in.)
Total depth (backrest upright) (C)	690 mm (27.2 in.)
Total depth (backrest lowered)	900 mm (35.4 in.)
Total height (D)	1105 mm (43.5 in.)
Height, backrest (E)	680 mm (26.8 in.)
Width, backrest (F)	350 mm (13.8 in.)
Seat width with sideflaps (G)	710 mm (27.9 in.)
Seat width without sideflaps	375 mm (14.8 in.)
Base plate floor space	530 x 220 mm (20.9 x 8.7 in.)
Base plate outer dimensions	565 x 295 mm (22.2 x 11.6 in.)
Backrest adjustment	up to 40°
Maximum user weight	140 kg (308 lbs) XL: 170 kg (375 lbs)
Degree of protection, drive	IP X6 ¹
Degree of protection, hand control	IP X7 ²
Degree of protection, entire device	IP X6 ¹
Operating voltage (ECO)	14.48 V (10,86 V)
Rated current	6 A
Duty cycle	10 % / 2 min – 90 % / 18 min

¹ Protection against water jets

² Protection against temporary submersion

Battery (ECO)	Lithium-ion 14.48 V (10.86 V) 2150 mAh
Charging time from low-charge indication	approx. 1 h
Sound power level up/down	49/47 dB(A)

Materials

Backrest	PPGF ¹
Seat unit	PPGF ¹
Covers	PU ¹

¹ All materials used are corrosion resistant and latex free.

Charger

Input	100-240 V AC / 50/60 Hz
Output	18 V DC / 0.6 A

Ambient conditions

Ambient temperature	10 to 40 °C (50 to 104 °F)
Relative humidity	10 % to 100 %
Air pressure	795 hPa to 1060 hPa

4 Transport and storage

Transport the bath tub lifter in its shipping box. Keep the shipping box for later use.

Ambient conditions for transport and storage:

Ambient temperature	0 to 40 °C (32 to 104 °F)
Relative humidity	30 % to 75 %
Air pressure	795 hPa to 1060 hPa

5 Putting the bath tub lifter into operation

Before putting the bath tub lifter into operation, check that all parts are complete and undamaged.

5.1 Charging the hand control battery

NOTICE Charge the battery in the hand control only with the charger supplied. Charge the battery only in a dry room (not in the bathroom). Do not insert any conductive objects (e.g. knitting needles) into the jack socket on the hand control cable.

1. Insert the jack plug (Figure 6,2) of the charger (Figure 6,1) into the jack socket (Figure 6,3) of the hand control (Figure 6,4).
2. Connect the charger (Figure 6,1) to the mains. The LED (Figure 6,5) flickers briefly and then lights up red. The LED goes out when the battery is charged.

When the battery is charged:

1. Disconnect the charger (Figure 6,1) from the mains.
2. Disconnect the hand control (Figure 6,4) from the charger.

Fully charge the battery in the hand control before each use. If the hand control is not connected to the charger: Do not connect the charger to the mains.

Use the hand control only to operate the bath tub lifter.

5.2 Fitting the suction feet

WARNING The bath tub lifter can slide away if the suction feet do not stick properly. There is a risk of injury. Make sure that the suction feet are not dirty and greasy. Make sure that the suction feet are not bent.

1. Remove the backrest. To do this, grip the backrest (Figure 7,1) with both hands close to the locking hooks (Figure 7,2). Release the locking hooks from the holders (Figure 7,3) with a slight tug.

CAUTION The drive base mount contains the mechanism for releasing the seat section lock. The lifting scissors are freely movable if the seat section lock is accidentally released. This can crush limbs. Do not put your hands into the drive base mount (Figure 7,5).

2. Turn the seat unit (Figure 8,3).

NOTICE If the suction feet are not fully screwed into the threaded sleeves and a weight is placed onto the bathtub lifter, the baseplate can be damaged. Screw the suction feet into the threaded sleeves as far as they will go.

3. Screw all four suction feet (Figure 8,1) into the threaded sleeves (Figure 8,2) in the base plate. The straps on the suction feet must face outwards (see Figure 8).

5.3 Assembling the seat unit in the bath tub

⚠ WARNING The bath tub lifter can slide away if the suction feet do not stick properly. There is a risk of injury. Make sure that the bottom of the bath tub is smooth, flat, dry and clean. Do not assemble the bath tub lifter in bath tubs that have a napped texture. Remove any non-slips mats.

Only assemble the bath tub lifter in bath tubs that meet the following specifications:

Figure 10 and 11	Designation	Dimensions in mm (in.)
A	Tub length, bottom	> 800 (31.5)
B	Tub width, bottom (suction foot spacing)	280-610 (11-24)
C	Tub width at a height of 80 mm (3.2 in.) (base plate)	> 420 (16.5)
D	Tub height (internal)	< 455 (17.9)
	Tub height (internal) when using height adapters (accessories)	475 (18.7)
E	Tub width, top (external)	< 710 (27.9)
F	Tub width, top (internal)	< 630 (24.8)

If handles are fitted in the bath tub: Use the side-flap diverter (accessories; see Section 11.1).

If the tub height (internal) is more than 455 mm (17.9 in.): Use the height adapter (accessories; see Section 11.2).

⚠ CAUTION The drive base mount contains the mechanism for releasing the seat section lock. The lifting scissors are freely movable if the seat section lock is accidentally released. This can crush limbs. Do not put your hands into the drive base mount (Figure 7,5).

- Place the seat unit onto the bottom of the bath tub. When doing this, place the rear suction feet as close as possible to the slope of the bath tub, but not **in** the slope (see Figure 10).
- Press the seat unit gently against the bottom of the bath tub.
- Check that the suction feet have stuck to the bottom of the bath tub. To do this, gently pull on the seat unit.

5.4 Fitting the backrest

NOTICE If the backrest's drive base is not fully retracted during assembly, the bath tub lifter can be damaged. Make sure that the drive base is fully retracted: The drive base (Figure 12,2) must be horizontal (see Figure 12).

- Place the backrest (Figure 12,1) onto the seat unit (Figure 12,5). The locking hooks (Figure 12,3) must engage in the holders (Figure 12,4).
- Gently press on the locking hooks (Figure 13,2). The locking hooks must engage audibly.
- Grip the top end of the backrest (Figure 13,1) and swing it up into the end position.
- Check that the backrest is properly fitted:
 - Are both locking hooks engaged? (The blue dots on the front of the locking hooks must be visible.)
 - Is the drive base (Figure 5,1) in the drive base holder (Figure 5,2)?
 - Is there a gap of at least 25 mm (1 in.) between the hand control connection and the wall?
- Unfold the sideflaps (Figure 12,6).
- Connect the jack socket (Figure 14,1) on the hand control cable onto the jack plug (Figure 14,2) on the drive until it engages noticeably.

5.5 Check before use

- Lift the seat with the Up button (Figure 15,3) (see Section 6.2).
Check the following when doing this:
 - Can the seat move up unhindered?
 - Are both sideflaps touching the edge of the bath tub when the seat is raised?
- Lower the seat as far as it will go with the Down button (Figure 15,5) (see Section 6.3).
Check the following when doing this:
 - Can the seat move down unhindered?
 - Is there a gap of at least 25 mm (1 in.) between the hand control connection and the wall?

If the bath tub lifter is properly assembled in the bath tub, do not change its position again.

6 Operating the bath tub lifter

6.1 Hand control

The bath tub lifter is operated solely with the hand control (Figure 15,4).

Only press the buttons on the hand control when the backrest is properly mounted on the seat unit.

If the battery in the hand control is no longer sufficiently charged, the red LED (Figure 15,2) lights up when the Down button (Figure 15,5) is pressed. The seat can no longer be lowered. It is still possible to lift it into the exit position. After lifting the chair, charge the battery in the hand control.

6.2 Raising the seat

NOTICE Make sure that the seat does not hit anything.

1. Press the Up button (Figure 15,3). When the seat is fully lowered, the backrest first swivels into the upright position. The seat then moves up.
2. To stop the seat in any position: Release the Up button.
3. To raise the seat to the exit position: Keep the Up button pressed until the exit position is reached.

6.3 Lowering the seat

NOTICE Make sure that the seat does not hit anything.

1. Press the Down button (Figure 15,5). The seat moves down.
2. To stop the seat in any position: Release the Down button.
3. To fully lower the seat: Keep the Down button pressed. When the seat is fully lowered, the backrest swivels back into a maximum incline of 40°.

6.4 EMERGENCY STOP function

1. If the seat does not stop as soon as the Up button (Figure 15,3) or the Down button (Figure 15,5) is released:

Press the EMERGENCY STOP button (Figure 15,1) or disconnect the plug connection (Figure 14,1) from hand control to drive. The seat's movement is stopped immediately.

If the EMERGENCY STOP button is pressed while the seat is being lowered, the Down button is then blocked for approximately 15 seconds for safety reasons. The seat can then only be moved up (with the Up button).

7 Bathing

⚠ WARNING If the seat cannot move unhindered and if the sideflaps are not in proper contact with edge of the bath tub when entering, there is a danger of slipping. Before bathing, check that the bath tub lifted is working properly. Before entering, make sure that the sideflaps are in proper contact with the edge of the bath tub.

NOTICE Adding too much bathing salt or bathing oil can impair the smooth movement of the lifting scissors. Follow the manufacturer's dosage recommendations when using bathing salts or bathing oils.

NOTICE The drive is protected against jets of water, but not against submersion. Do not submerge the drive in water.

1. Lift the seat with the Up button (Figure 15,3) sufficiently high for the sideflaps (Figures 16,1 and 2) to be flat on the edge of the bath tub.
2. Run the bath water and test the water temperature.
3. Sit on the front sideflap (Figure 16,1). Your back is facing the opposite sideflap (Figure 16,2).
4. Slide to the middle of the seat section and turn into the correct seating position. To do this, first lift one leg and then the other one over the edge of the bath tub. If necessary, use a turntable or a turntable/transfer aid (accessories).
5. Press the Down button (Figure 15,5) until the desired position is reached (see Section 6.3).
6. After bathing: Press the Up button (Figure 15,3) until the exit position is reached (the sideflaps are flat against the edge of the bath tub).

7. Turn into the exit position. To do this, first lift one leg and then the other one over the edge of the bath tub.
8. Slide onto the front sideflap (Figure 16,1).

8 Disassembling the bath tub lifter

1. Drain all water out of the bath tub.
2. Lower the seat as far as it will go with the Down button (Figure 15,5) (see Section 6.3).
3. Completely disconnect the jack socket (Figure 14,1) on the hand control cable from the jack plug (Figure 14,2) on the drive.
4. Fold in the sideflaps (Figure 12,6).

NOTICE If the drive base is not fully retracted and the backrest is swivelled forward, the bath tub lifter can be damaged. Make sure that the drive base is fully retracted: The drive base (Figure 7,4) must be horizontal (see Figure 7).

5. Grip the top end of the backrest and swivel it forward onto the seat unit.
6. Remove the backrest. To do this, grip the backrest (Figure 7,1) with both hands close to the locking hooks (Figure 7,2). Release the locking hooks from the holders (Figure 7,3) with a slight tug.
7. Hold the handle at the front end of the base plate (Figure 1,8).

NOTICE Do not forcibly detach the suction feet from the tub bottom. This can damage the suction feet.

8. Pull the straps of the two rear suction feet upwards. The suction feet detach from the bottom of the tub.
9. Slightly lift the rear end of the seat unit.
10. Pull the straps of the two front suction feet upwards. The suction feet detach from the bottom of the tub.

As of 10/2018, the front suction feet can be attached as self-venting. In this case, it suffices to lift the rear end of the seat unit. The front suction feet will then automatically detach from the bottom of the tub.

CAUTION The drive base mount contains the mechanism for releasing the seat section lock. The lifting scissors are freely movable if the seat section lock is accidentally released. This can crush limbs. Do not put your hands into the drive base mount (Figure 7,5).

11. Lift the seat unit out of the bath tub and set it down in a safe place. When doing this, make sure that the suction feet are not damaged or deformed.

9 Troubleshooting

If the bath tub lifter is not working properly, the table below provides information about faults and their possible causes. If it is not possible to remedy a fault with the help of the stated measures, consult an authorised specialist dealer.

Do not open the hand control. The battery in the hand control cannot be replaced. Opening the hand control voids the warranty.

Fault	Possible cause	Remedy
Red LED (Figure 15,2) in the hand control flashes for 5 seconds	Hand control not correctly plugged into the drive	Push the jack socket (Figure 14,1) completely onto the jack plug (Figure 14,2)
Red LED (Figure 15,2) in the hand control lights up	Battery flat	Charge the battery (see Section 5.1)
Seat only moves up	Battery flat	Charge the battery (see Section 5.1)
Seat does not move	Battery flat	Charge the battery (see Section 5.1)
	Fault in the drive	Have it repaired in a specialist workshop
	Hand control cable faulty	Replace the hand control
Battery will not charge	Battery faulty	Have it checked in a specialist workshop / replaced
	Power supply unit faulty	

10 Maintenance and care

10.1 Seat unit and backrest

⚠ CAUTION Limbs can be crushed in the vicinity of the lifting scissors. Do not put your hands into the lifting scissors.

NOTICE If the drive is cleaned with a high-pressure cleaner, water can enter it. This can damage the drive. Do not clean the drive with a high-pressure cleaner.

If fitted, remove the seat and backrest covers (accessories) and wash them in a washing machine (max. 40 °C (104 °F)). Do not dry the covers in a tumble dryer.

Wash down the bath tub lifter (without covers) with warm water after each bath procedure.

If it is very dirty, clean the bath lift with ordinary detergent (without solvents and with a pH value of 5-9) and a brush. Follow the cleaning agent manufacturer's instructions.

If necessary, or when using the product for more than one person, the surface can be disinfected with an off-the-shelf disinfectant (max. 70 % alcohol) **after cleaning**. Depending on the disinfectant used, the disinfectant will be sprayed on or applied with a cloth. Follow the disinfectant or detergent manufacturer's instructions.

After cleaning, dry off the bath tub lifter with a clean cloth.

10.2 Hand control and charger

⚠ CAUTION Before cleaning, disconnect the charger from the mains. Do not use water to clean the charger and do not immerse it in water.

NOTICE If the hand control is cleaned with a high-pressure cleaner, water can enter it. This can damage the hand control. Do not clean the hand control with a high-pressure cleaner.

Clean the charger with a dry cloth.

Clean the hand control with a damp cloth and then dry it off.

10.3 Maintenance and inspection

⚠ CAUTION Maintenance and inspection must not be carried out while in use.

Before each use, perform a visual inspection for external damage.

If a malfunction occurs or if visible signs of wear appear, consult an authorised specialist dealer immediately.

Have a visual and functional inspection carried out at an authorised specialist workshop at least every 24 months. This maintains the bath tub lifter's functional reliability.

Have any necessary repairs done by an authorised specialist workshop.

11 Fitting accessories

11.1 Fitting the sideflap diverter

⚠ WARNING If handles are fitted on the bath tub, the sideflaps cannot make proper contact with the edge of the bath tub. There is a risk of slipping. The sideflaps can also be damaged by the handles. Protect all handles with sideflap diverters.

1. Hang the sideflap diverter (Figure 17,1) over the handle (Figure 17,2).
2. Unfold the sideflap (Figure 17,3).
3. Lift the seat with the Up button (Figure 15,3). When doing this, check that the sideflap is guided safely over the handle.

11.2 Fitting the height adapters

⚠ WARNING If not all height adapters are fitted and a weight is placed onto the bath tub lifter, the base plate can break. There is a risk of slipping. Always fit all 6 height adapters.

NOTICE If the height adapters are not fully screwed into the threaded sleeves and a weight is placed onto the bathtub lifter, the base plate can be damaged. Screw the height adapters into the threaded sleeves as far as they will go. Screw the suction feet into the height adapters as far as they will go.

1. Remove the backrest and turn the seat unit (see Section 5.2).
2. Screw all six height adapters (Figure 18,1) into the threaded sleeves in the base plate.
3. Screw the six suction feet (Figure 18,2) into the height adapters.
4. Lift the seat with the Up button (Figure 15,3). When doing this, check that the bath tub lifter can be raised sufficiently far for the sideflaps to lie properly on the edge of the bath tub.

Manufacturer, Sales and service:

Dietz GmbH

Reutäckerstrasse 12

D-76307 Karlsbad

Phone: +49 7428 / 91 86-0

Fax: +49 7248 / 91 86-86

Email: info@dietz-reha.de

Internet: www.dietz-reha.de

Authorised dealer's stamp

