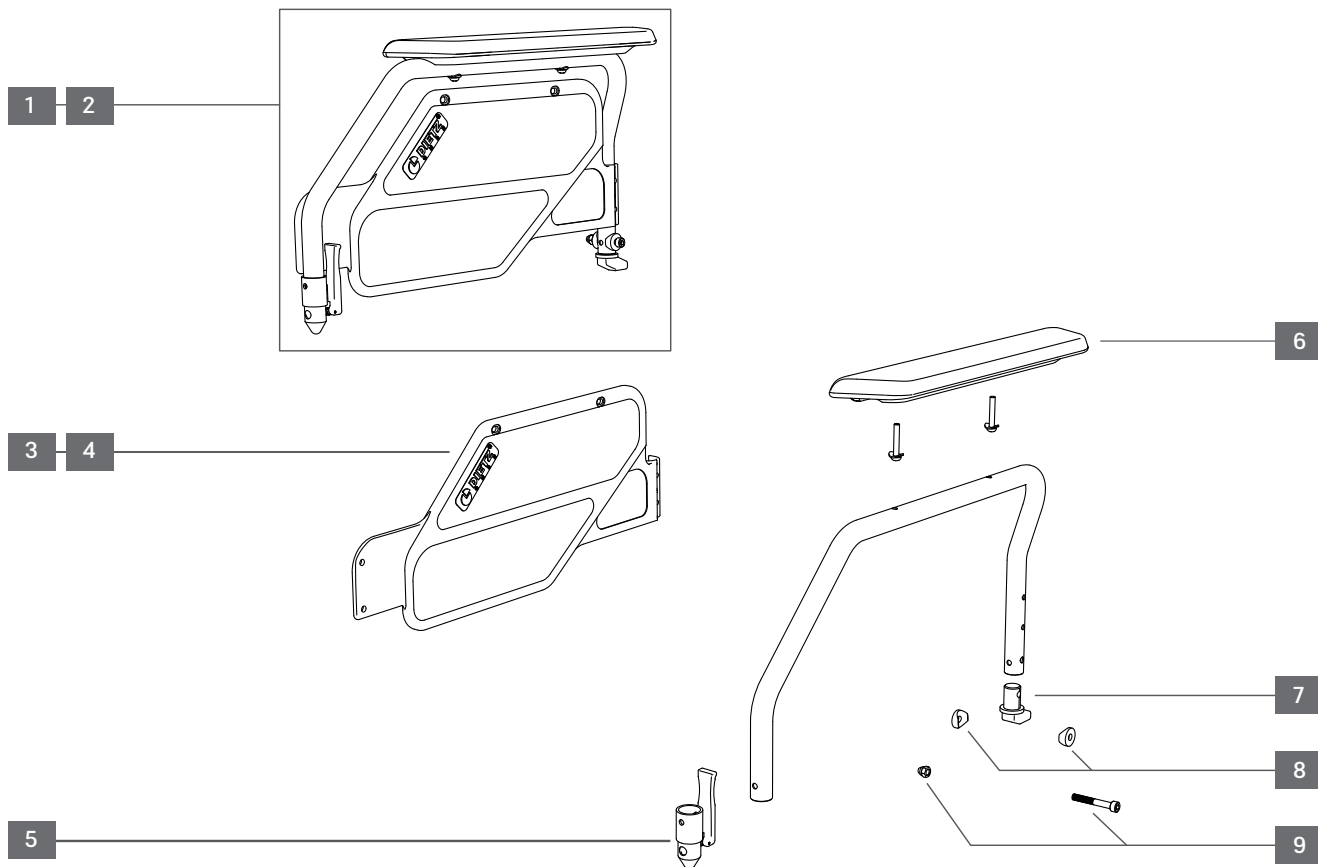


CANEO_E

Lightweight wheelchair



Assembly	Product name	Item no.	Version
Sideguard	CANEO_E	220139 220142 220145 221139 221142 21145 220148 220151 221148 221151	V 4.0 2023-02



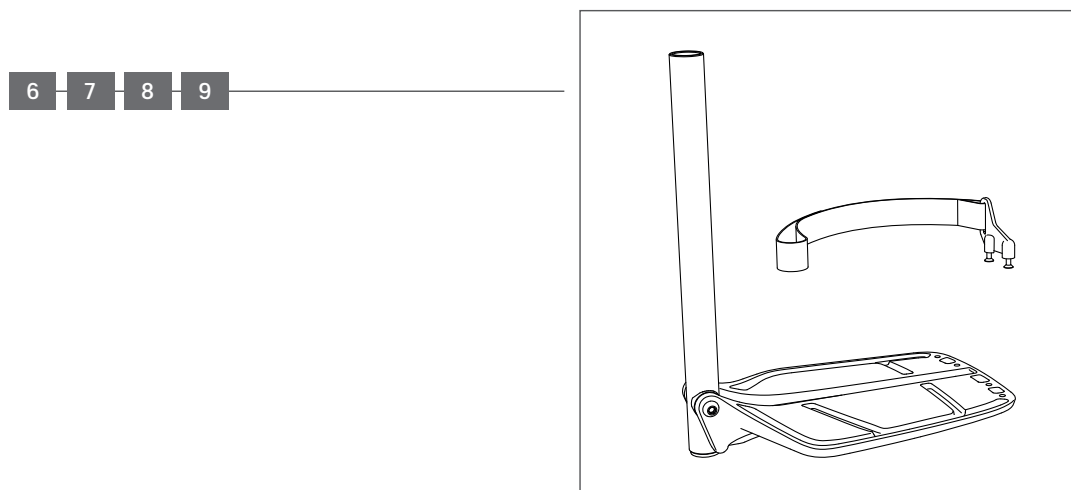
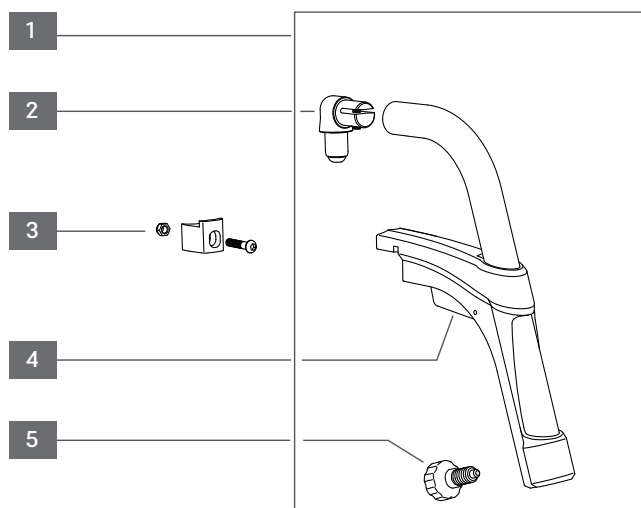
Position	QTY./assembly	Item no.	Description	QTY. supply
1	1	470019	Sideguard left, complete	pc.
2	1	470018	Sideguard right, complete	pc.
3	1	420013	Sideskirt black, left	pc.
4	1	420012	Sideskirt black, right	pc.
5	2	460000	Locking pin with release lever, sideguard	pc.
6	2	470002	Armpad incl. screw set, right/left	pc.
7	2	400059	Locking pin, sideguard	pc.
8	4	400341	Plastic spacer rear, black, sideguard	pc.
9	2	401694	Screw M6x40 & cap nut, locking sideguard	pc.

CANEO_E

Lightweight wheelchair



Assembly	Product name	Item no.	Version
Legrest	CANEO_E	220139 220142 220145 221139 221142 21145 220148 220151 221148 221151	V 4.0 2023-02



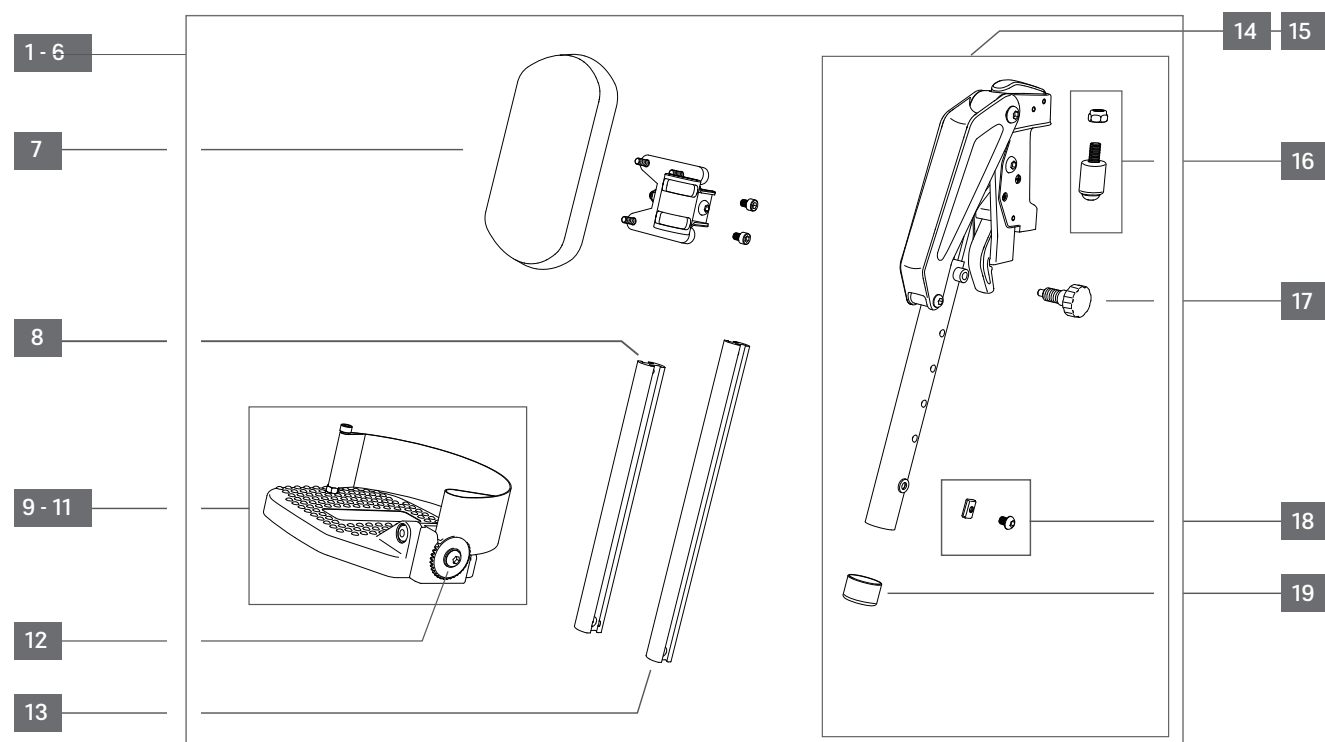
Position	QTY./assembly	Item no.	Description	QTY. supply
1	2	470004	Legrest upper part without socket block	pc.
2	2	460076	Pivot pin incl. angle, legrest	set
3	2	410078	Socket block set complete, legrest	pc.
4	2	470037	Plastic rail with release lever, legrest upper part	pc.
5	2	410247	Screw, leg length adjustment	pc.
6	1	470104	Legrest lower part, SW38-42, w/ foot plate angle, right	pc.
7	1	470105	Legrest lower part, SW38-42, w/ foot plate angle, left	pc.
8	1	470106	Legrest lower part, SW44-54, w/ foot plate angle, right	pc.
9	1	470107	Legrest lower part, SW44-54, w/ foot plate angle, left	pc.

CANEO_E

Lightweight wheelchair



Assembly	Product name	Item no.	Version
Elevating legrest	CANEO_E	220139 220142 220145 221139 221142 21145 220148 220151 221148 221151	V 4.0 2023-02



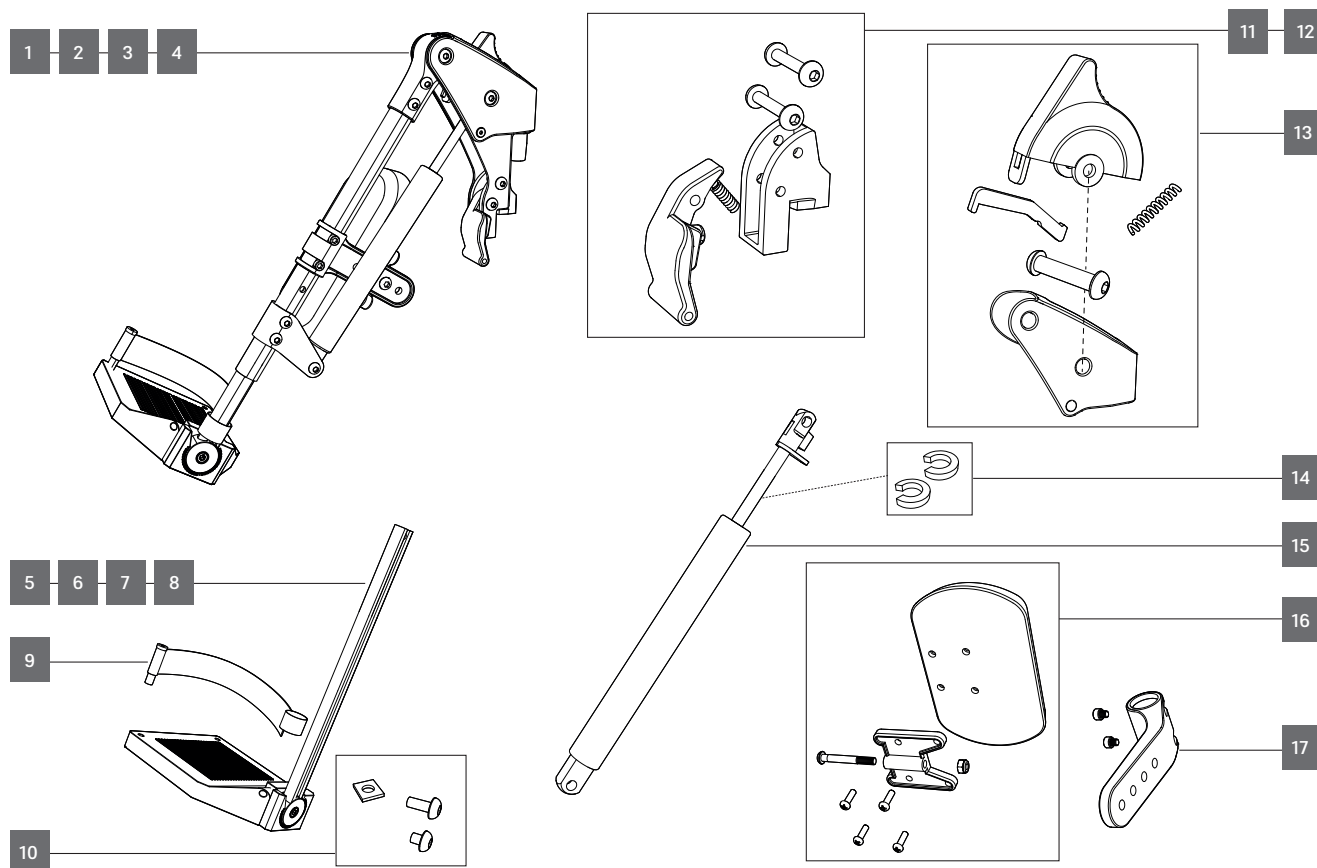
Position	QTY./assembly	Item no.	Description	QTY. supply
1	1	194023	Elevating legrest, left, w/ foot plate angle, SW 36-40 cm	pc.
2	1	194024	Elevating legrest, right, w/ foot plate angle, SW 36-40 cm	pc.
3	1	194025	Elevating legrest, left, w/ foot plate angle, SW 42-46 cm	pc.
4	1	194026	Elevating legrest, right, w/ foot plate angle, SW 42-46 cm	pc.
5	1	194027	Elevating legrest, left, w/ foot plate angle, SW 48-54 cm	pc.
6	1	194028	Elevating legrest, right, w/ foot plate angle, SW 48-54 cm	pc.
7	1	402419	Lower leg pad, left/right	pc.
8	1	402432	Foot plate tube standard, length 180 mm lower leg 42-52 cm	pc.
9	1	402423	Foot plate with heel strap SW 36/39 cm	pc.
10	1	402424	Foot plate with heel strap SW 42/45 cm	pc.
11	1	402425	Foot plate with heel strap SW 48/51 cm	pc.
12	1	402426	Joint complete, foot plate	pc.
13	1	194029	Foot plate tube long, length 220mm, lower leg 46-56 cm	pc.
14	1	402427	Legrest upper part cpl., right	pc.
15	1	402428	Legrest upper part cpl., left	pc.
16	1	402429	Pivot pin incl. screw, left/right	pc.
17	1	402431	Screw, length adjustment	pc.
18	1	198087	Screw & nut, leg length adj, left/right	pc.
19	1	402430	Cover cap tube, left/right	pc.

CANEO_E

Lightweight wheelchair



Assembly	Product name	Item no.	Version
Legrest, b angle adjustable gas spring	CANEO_E	220139 220142 220145 221139 221142 21145 220148 220151 221148 221151	V 4.0 2023-02



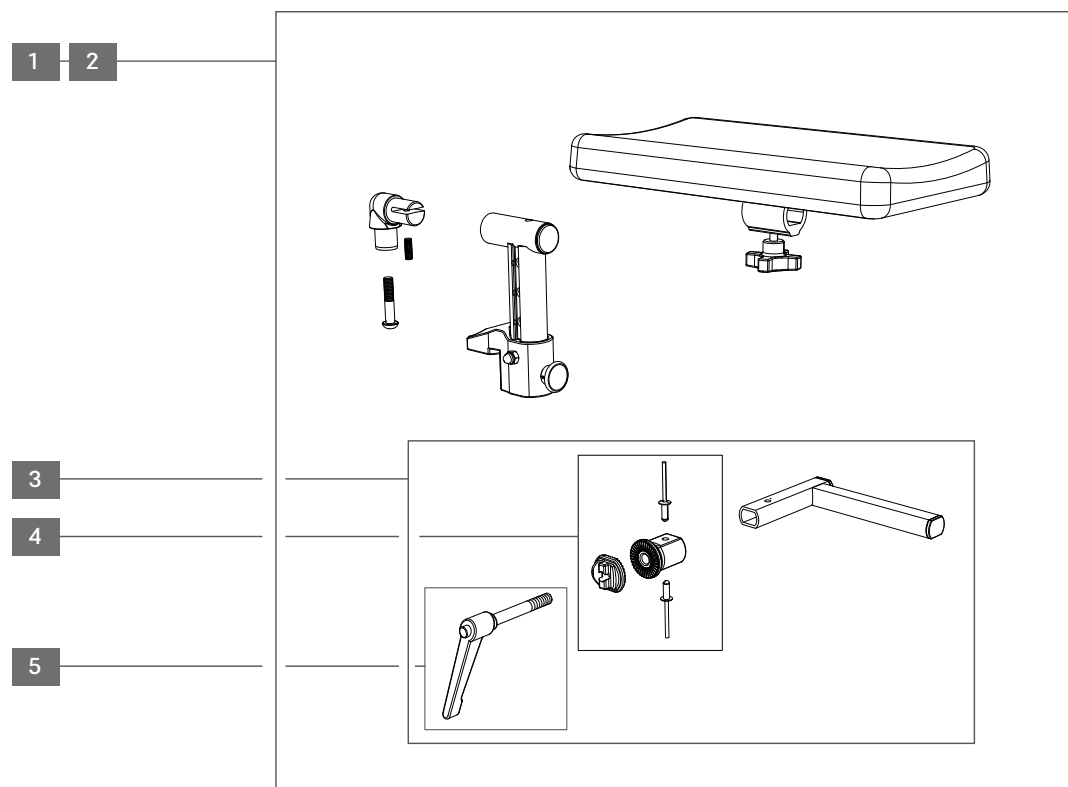
Position	QTY./assembly	Item no.	Description	QTY. supply
1	1	194030	Elevating legrest, lt., SW 360-440 mm, continuously angle adjustable gas spring	pc.
2	1	194031	Elevating legrest, rt., SW 360-440 mm, continuously angle adjustable gas spring	pc.
3	1	194034	Elevating legrest, lt., SW 450-540 mm, continuously angle adjustable gas spring	pc.
4	1	194035	Elevating legrest, rt., SW 450-540 mm, continuously angle adjustable gas spring	pc.
5	1	196320	Legrest lower part 335 mm, SW 360-440 mm, footplate 165 mm, w/o heelstrap, left	pc.
6	1	196321	Legrest lower part 335 mm, SW 360-440 mm, footplate 165 mm, w/o heelstrap, left	pc.
7	1	196324	Legrest lower part 335 mm, SW 450-540 mm, footplate 200 mm, w/o heelstrap, right	pc.
8	1	196325	Legrest lower part 335 mm, SW 450-540 mm, footplate 200 mm, w/o heelstrap, left	pc.
9	1	196088	Heel strap, incl. mounting screw, 560 mm, black	pc.
10	1-2	196326	Fixation set lower legrest part	set
11	1-2	196327	Swing away release lever assembly elevating legrest, complete, right	set
12	1-2	196333	Swing away release lever assembly elevating legrest, complete, left	set
13	1-2	196328	Gas spring release lever assembly complete	set
14	1-2	196329	Gas spring elevating legrest 2.0	pc.
15	1-2	196330	Spacer set 8 mm for gas spring angle limit (set = 5 pc)	set
16	1-2	196331	calf pad with bracket and screws assembled	set
17	1-2	196332	calf pad connector with fixation screws	set

CANEO_E

Lightweight wheelchair



Assembly	Product name	Item no.	Version
Amputee legrest	CANEO_E	220139 220142 220145 221139 221142 21145 220148 220151 221148 221151	V 4.0 2023-02



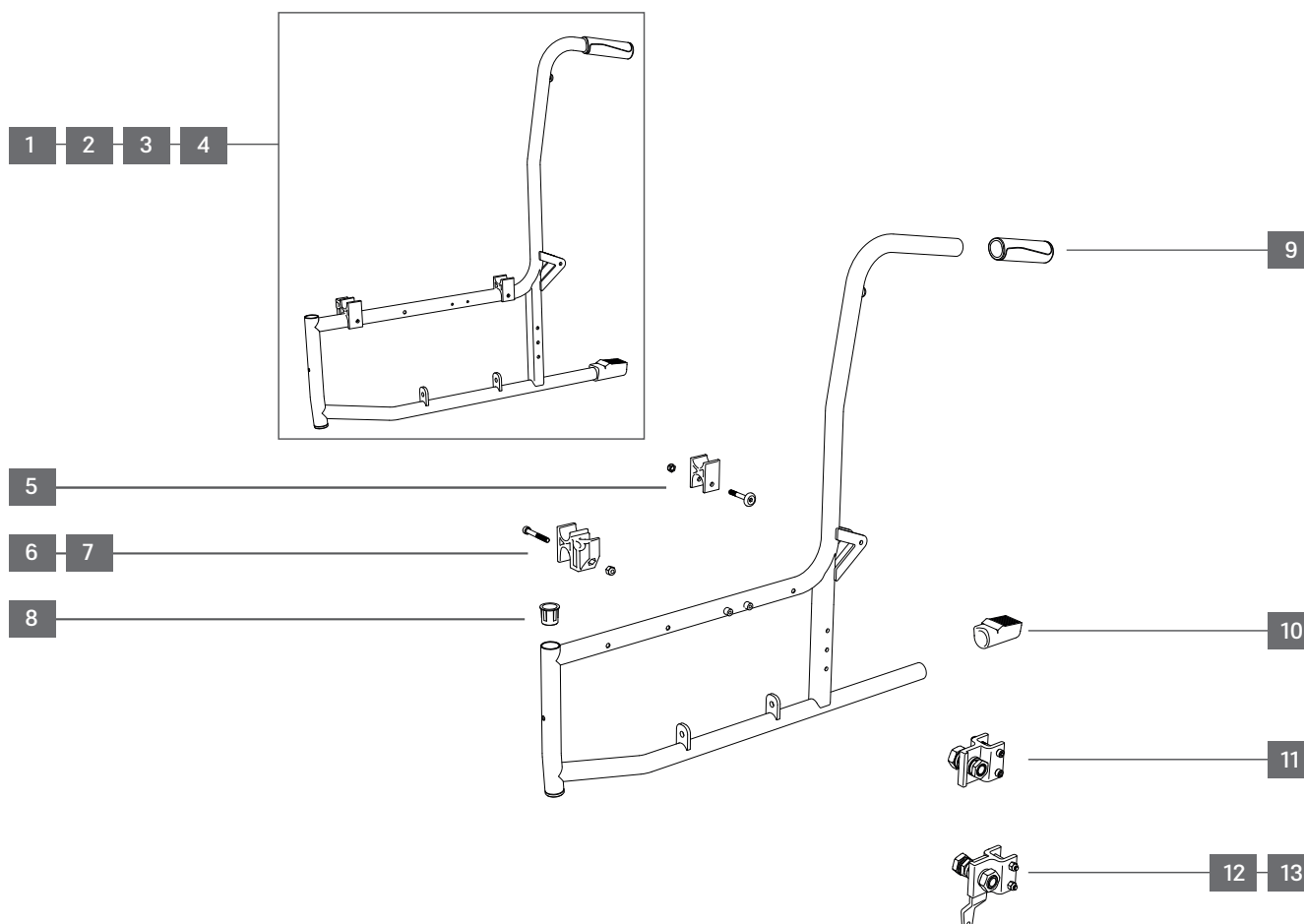
Position	QTY./assembly	Item no.	Description	QTY. supply
1	1	410081	Amputee legrest, with socket block, right	pc.
2	1	410082	Amputee legrest, with socket block, left	pc.
3	1-2	190010	Bracket for amputation pad (set for 1 amputation pad)	set
4	1-2	410083	Toothed lock washer set, left/right	set
5	1-2	197003	Locking lever M8x50 mm	pc.

CANE0_E

Lightweight wheelchair



Assembly	Product name	Item no.	Version
Side frame	CANE0_E	220139 220142 220145 221139 221142 21145 220148 220151 221148 221151	V 4.0 2023-02



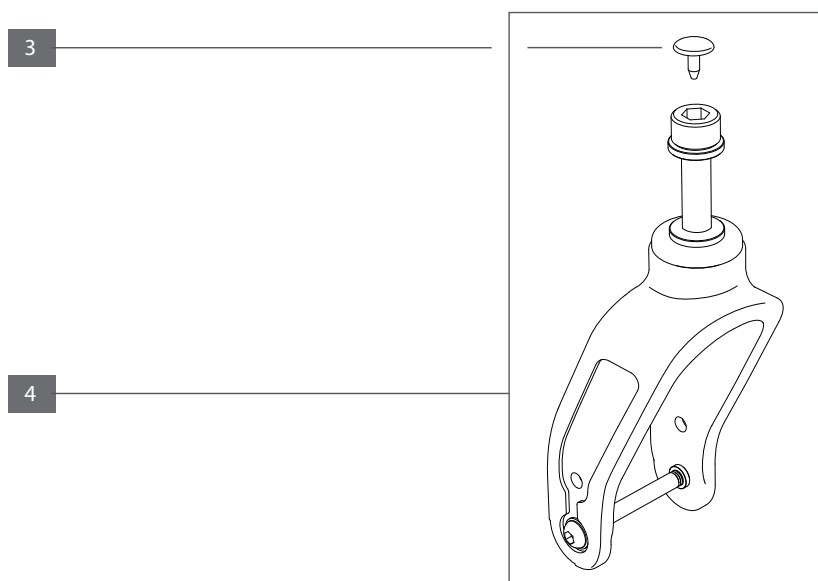
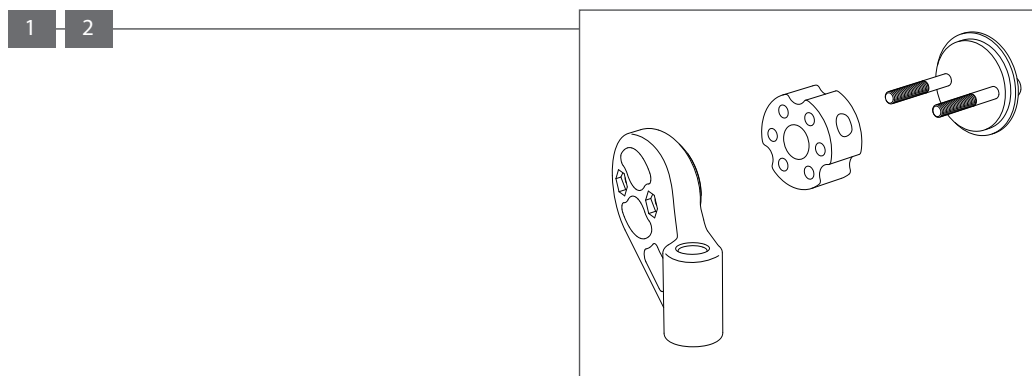
Position	QTY./assembly	Item no.	Description	QTY. supply
1	1	470020	Side frame, right, cpl., SW 39-45 cm	pc.
2	1	470021	Side frame, left, cpl., SW 39-45 cm	pc.
3	1	470022	Side frame, right, cpl., SW 48-51 cm	pc.
4	1	470023	Side frame, left, cpl., SW 48-51 cm	pc.
5	2	400067	Socket, crossbrace	pc.
6	1	402075	Socket, sideguard, right	pc.
7	1	402076	Socket, sideguard, left	pc.
8	2	470038	Guide bushing, locking pin, legrest	pc.
9	2	190047	Plastic grip, black	pc.
10	2	400082	Tipping cap wheelchair, black	pc.
11	2	470011	Adapter drive wheel, hub std., with socket quick release axle & screws	pc.
12	1	470012	Adapter drive wheel right, hub DB with socket quick release axle & screws	pc.
13	1	470032	Adapter drive wheel left, hub DB with socket quick release axle & screws	pc.

CANEO_E

Lightweight wheelchair



Assembly	Product name	Item no.	Version
Wheel fork	CANEO_E	220139 220142 220145 221139 221142 21145 220148 220151 221148 221151	V 4.0 2023-02



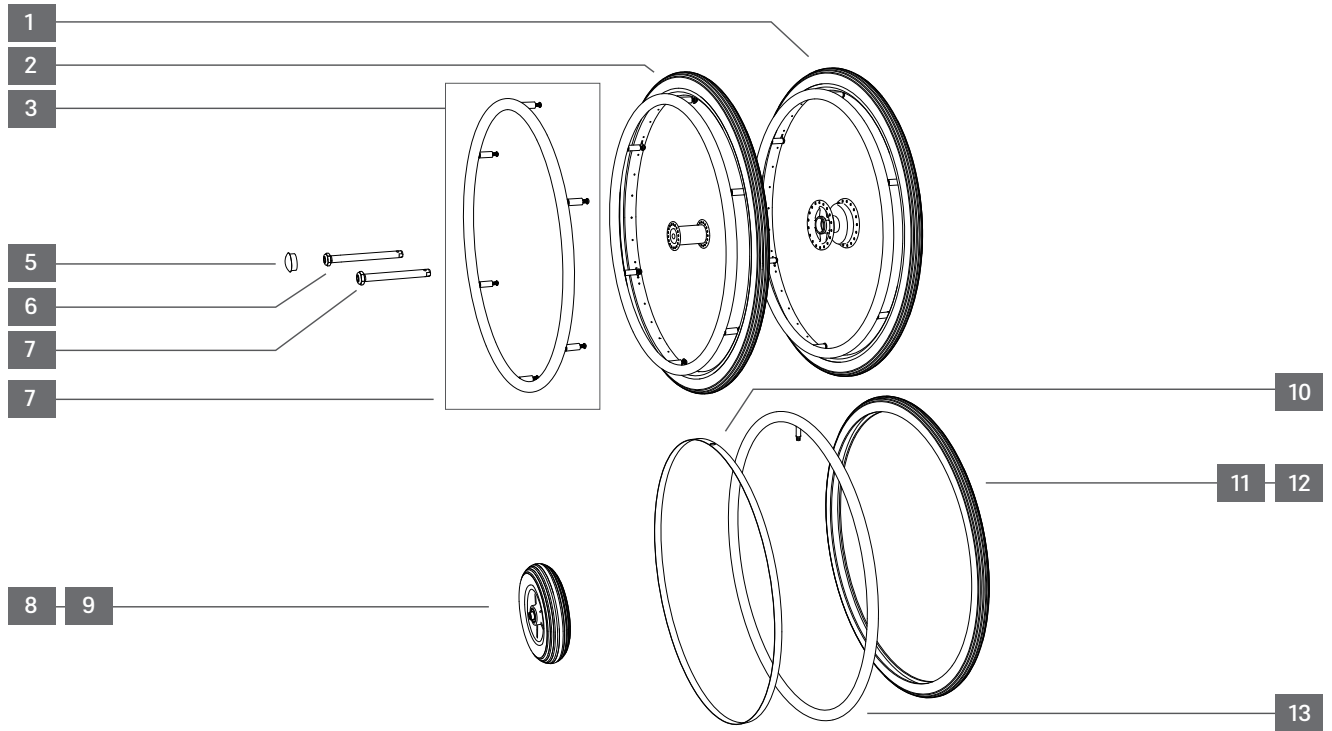
Position	QTY./assembly	Item no.	Description	QTY. supply
1	1	470014	Suspension left, set cpl., swivel wheel (castor function)	pc.
2	1	470013	Suspension right, set cpl., swivel wheel (castor function)	pc.
3	2	470036	Cover cap , suspension swivel wheel	pc.
4	2	470015	Wheel fork set, swivel wheel mounted incl. ball bearings	pc.
5	2	195000	Spacer sleeve 46 mm, ball bearing front wheel	pc.

CANEO_E

Lightweight wheelchair



Assembly	Product name	Item no.	Version
Wheels	CANEO_E	220139 220142 220145 221139 221142 21145 220148 220151 221148 221151	V 4.0 2023-02



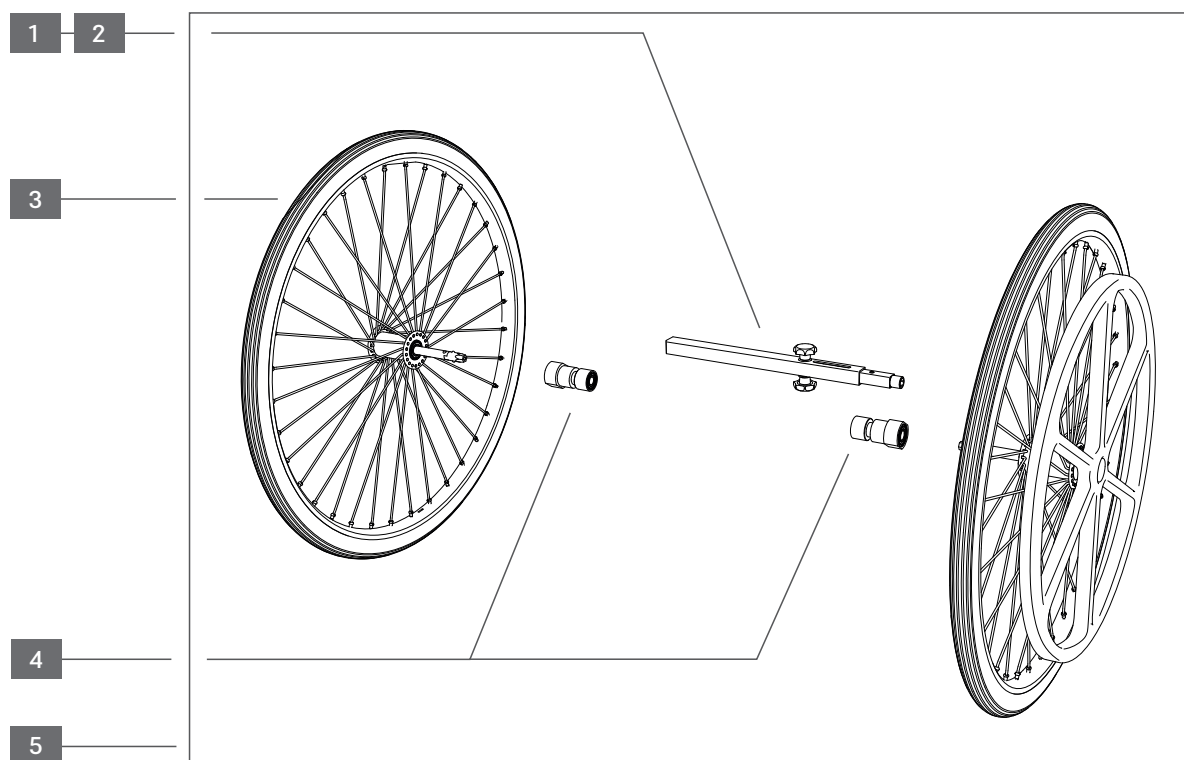
Position	QTY./assembly	Item no.	Description	QTY. supply
1	2	470033	Wheel, 24", hub DB, alu, PU block tread, grey, rim/hub black, push rim silver	pc.
2	2	470058	Wheel, 24", alu, PU block tread, grey, r im & hub black, push rim silver	pc.
3	2	400699	Push rim alu set cpl., drive wheel 24"	pc.
4	2	400035	Cover cap, wheel axle 24" and cover cap, castor socket sleeve	pc.
5	2	402210	Quick release axle, OD 12 mm, length 103 mm, hub standard	pc.
6	2	402216	Quick release axle, OD 12 mm, length 121 mm, hub drum brake	pc.
7	12	410903	Spacer 25 mm with screw , push rim, drive wheel 22" + 24"	pc.
8	2	470035	Wheel, 7", PU groove tread, grey, rim black one-piece	pc.
9	2	800310	Wheel, 7", air, 7x 1 3/4", AV , rim black on-piece	pc.
10	2	700135	Rim tape, for 24" rim, air, AV	pc.
11	2	700139	Tyre, 1 3/8 for 24" rim, PU block tread, grey	pc.
12	2	700110	Tyre, 1 3/8 for 24", PU, CST C-63, grey	pc.
13	2	700120	Tube, 1 1/4 -1 3/8 for 24" rim, AV	pc.
w/o fig.	2	400695	Push rim cover silicon black grooved, drive wheel 24"	pc.
w/o fig.	2	400696	Push rim cover,silicon, black /smooth, drive wheel 24"	pc.
w/o fig.	2	402206	Spoke guard transparent, set cpl., drive wheel 24"	pc.

CANE0_E

Lightweight wheelchair



Assembly	Product name	Item no.	Version
One hand drive	CANE0_E	220139 220142 220145 221139 221142 21145 220148 220151 221148 221151	V 4.0 2023-02



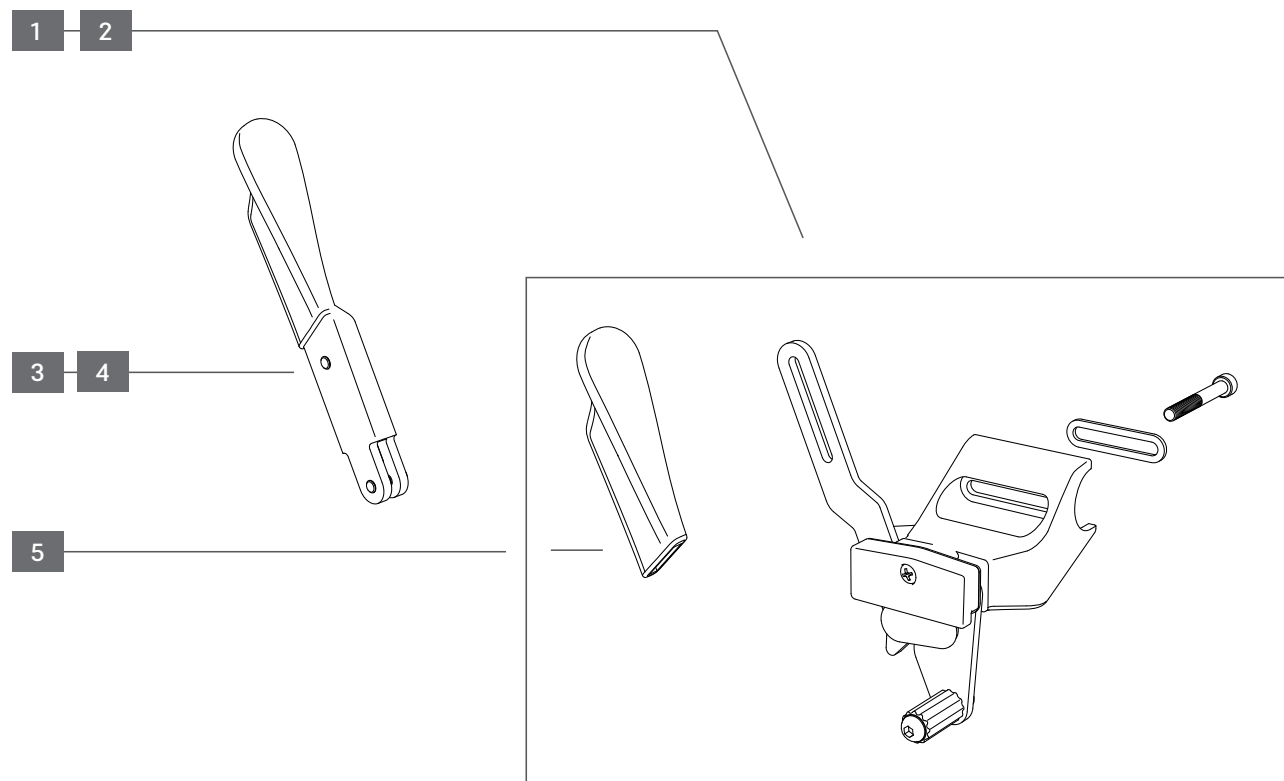
Position	QTY./assembly	Item no.	Description	QTY. supply
1	1	197029	Telescopic bar (300-520mm), SW 42-51, wheel connection, one hand drive	pc.
2	1	197031	Telescopic bar (235-410mm), SW 36-39, wheel connection, one hand drive	pc.
3	1	197021	Wheel, one hand drive 24" alu, PU block tread, grey, rim black, w/o push rim	pc.
4	1	197030	Bushing-set for 1 wheel	set
5	1	197022	One-hand drive set cpl., incl. drive wheels & instruction	set

CANEO_E



Lightweight wheelchair CANEO_E

Assembly	Product name	Item no.	Version
Park brake	CANEO_E	220139 220142 220145 221139 221142 21145 220148 220151 221148 221151	V 4.0 2023-02



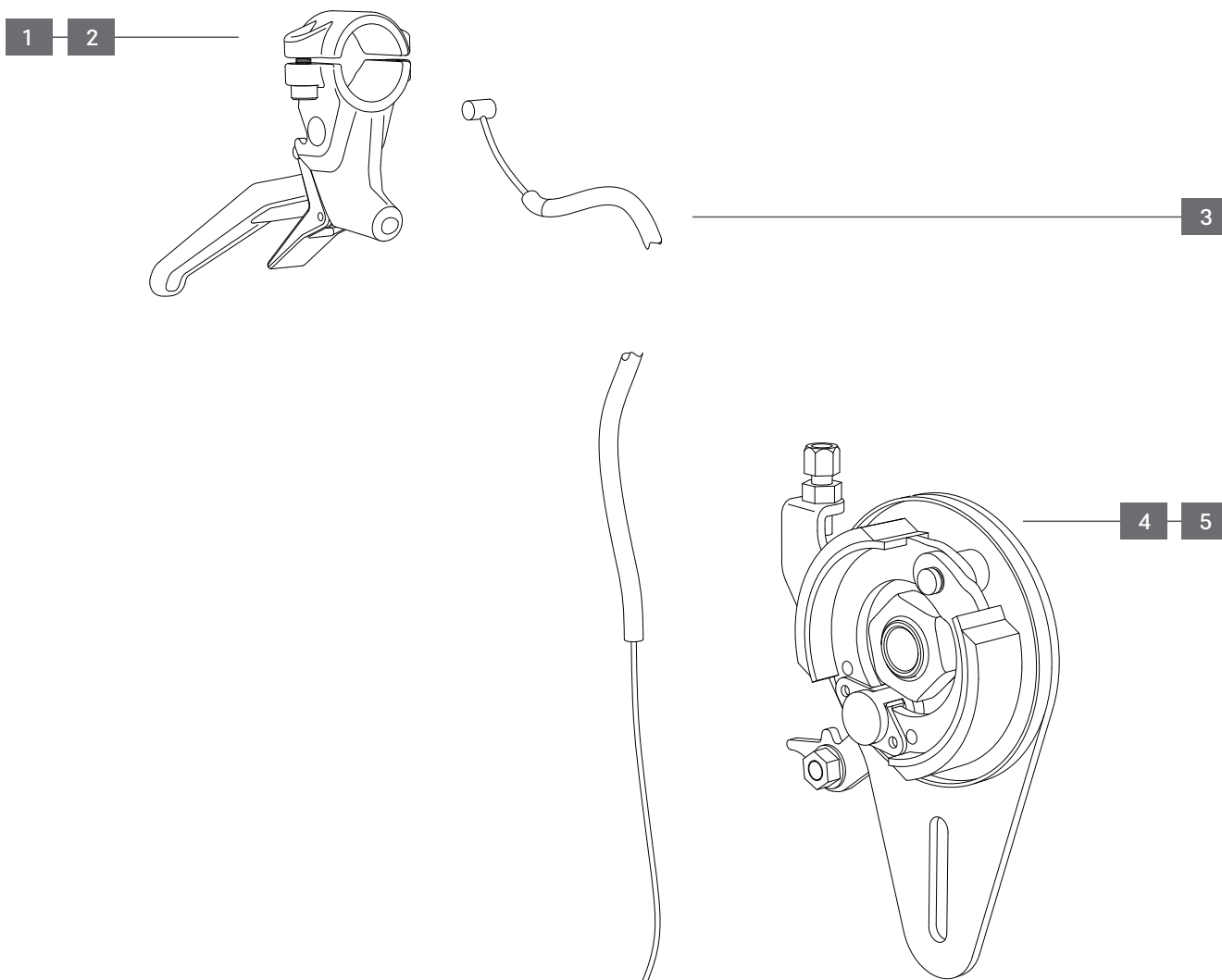
Position	QTY./assembly	Item no.	Description	QTY. supply
1	1	f113l	Park brake set cpl., left	pc.
2	1	f113r	Park brake set cpl., right	pc.
3	1	198085	Lever extension, park brake, left mounted	pc.
4	1	198086	Lever extension, park brake, right mounted	pc.
5	2	190610	Grip, park brake, left/right	pc.
w/o fig.	1	190029	Park brake one-hand drive, left	pc.
w/o fig.	1	190030	Park brake one-hand drive, right	pc.
w/o fig.	2	190035	Brake cable set, one hand brakesystem (set = 2 pc.)	set

CANEO_E

Lightweight wheelchair



Assembly	Product name	Item no.	Version
Drum brake	CANEO_E	220139 220142 220145 221139 221142 21145 220148 220151 221148 221151	V 4.0 2023-02



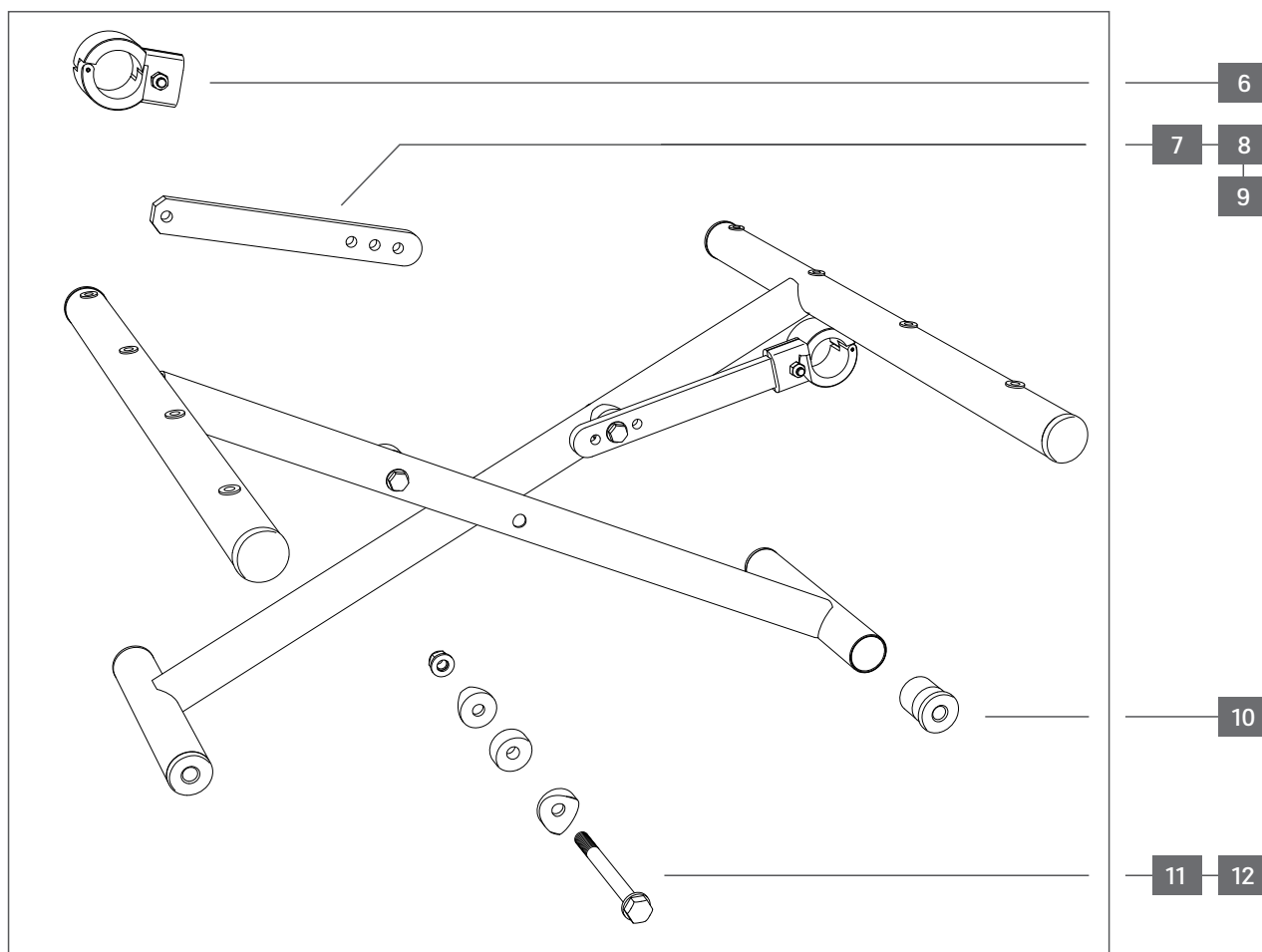
Position	QTY./assembly	Item no.	Description	QTY. supply
1	1	190049	Brake lever w/ locking action, left	pc.
2	1	190048	Brake lever w/ locking action, right	pc.
3	2	400271	Brake cable set complete , BK15	pc.
4	1	460035	Brake bracket, left, drive wheel 24"	pc.
5	1	460034	Brake bracket, right, drive wheel 24"	pc.

CANEO_E

Lightweight wheelchair



Assembly	Product name	Item no.	Version
Crossbrace	CANEO_E	220139 220142 220145 221139 221142 21145 220148 220151 221148 221151	V 4.0 2023-02



Position	QTY./assembly	Item no.	Description	QTY. supply
1	1	470044	Crossbrace, SW 51 cm	pc.
2	1	470043	Crossbrace, SW 48 cm	pc.
3	1	470042	Crossbrace, SW 45 cm	pc.
4	1	470041	Crossbrace, SW 42 cm	pc.
5	1	470040	Crossbrace, SW 39 cm	pc.
6	1	400089	Fixing clamp, crossbrace	pc.
7	1	402631	Mounting rail, crossbrace, SW 39-42 cm	pc.
8	1	402632	Mounting rail, crossbrace, SW 45 cm	pc.
9	1	402633	Mounting rail, crossbrace, SW 48-51 cm	pc.
10	1	400115	Threaded sleeve, crossbrace	pc.
11	1	400090	Axle-screw set , crossbrace, SW 36-45 cm	pc.
12	1	400091	Axle-screw set , crossbrace, SW 48-51 cm	pc.

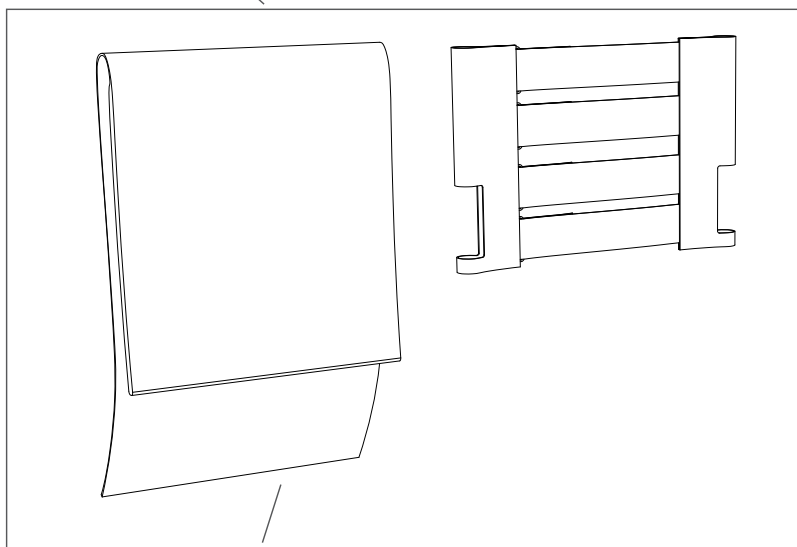
CANEO_E

Lightweight wheelchair

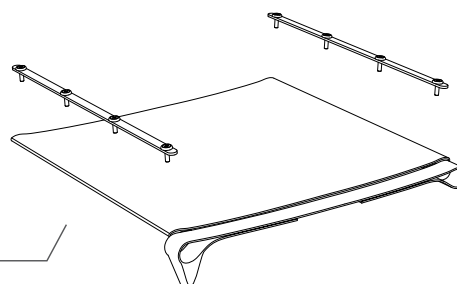


Assembly	Product name	Item no.	Version
Seat / back	CANEO_E	220139 220142 220145 221139 221142 21145 220148 220151 221148 221151	V 4.0 2023-02

- 1
- 2
- 3
- 4
- 5



- 6
- 7
- 8
- 9
- 10



- 11
- 12
- 13
- 14
- 15

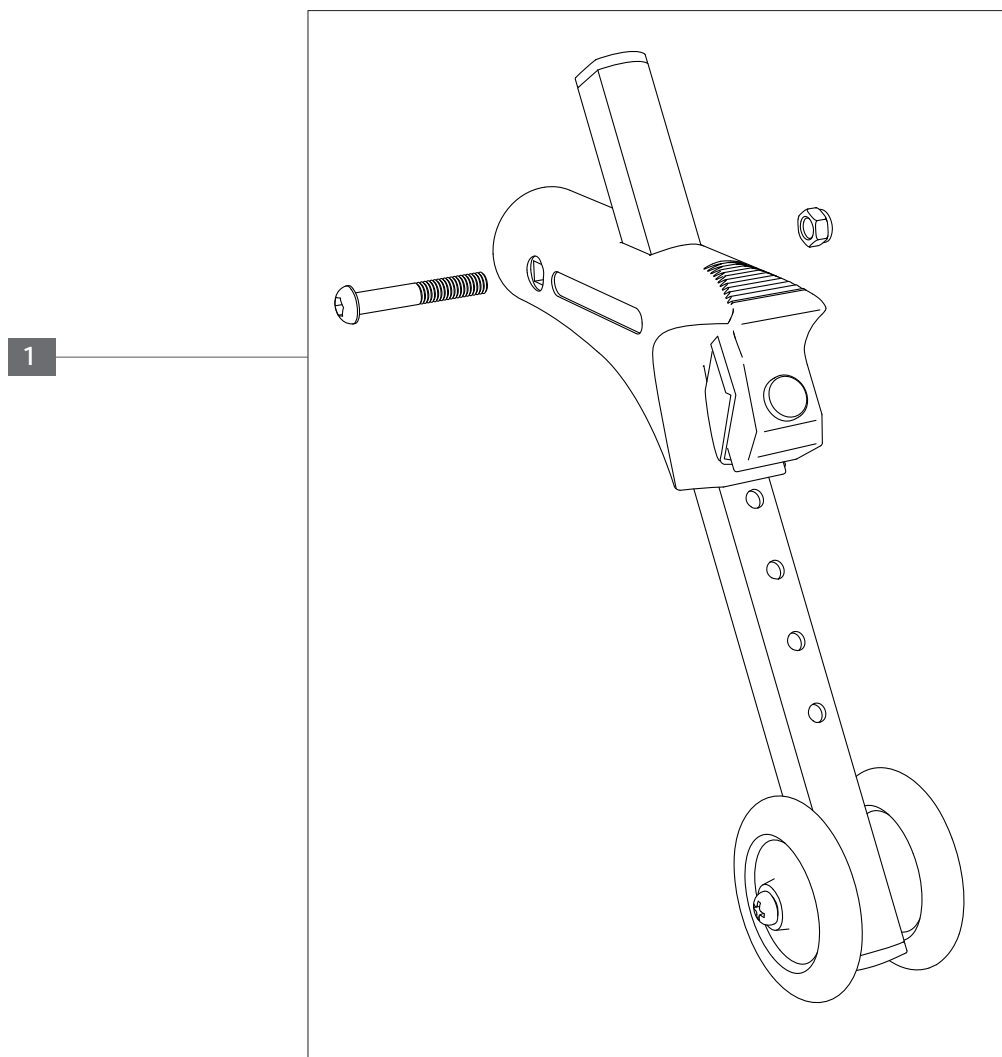
Position	QTY./assembly	Item no.	Description	QTY. supply
1	1	190005	Back upholstery adjustable SW 39cm (velcro) 3 eyelets & cushion, black	pc.
2	1	190006	Back upholstery adjustable SW 42cm (velcro) 3 eyelets & cushion, black	pc.
3	1	190007	Back upholstery adjustable SW 45cm (velcro) 3 eyelets & cushion, black	pc.
4	1	190008	Back upholstery adjustable SW 48cm (velcro) 3 eyelets & cushion, black	pc.
5	1	190009	Back upholstery adjustable SW 51cm (velcro) 3 eyelets & cushion, black	pc.
6	1	470062	Backrest upholstery, w/ lap belt cutout and reflector SW 39	pc.
7	1	470063	Backrest upholstery, w/ lap belt cutout and reflector SW 42	pc.
8	1	470064	Backrest upholstery, w/ lap belt cutout and reflector SW 45	pc.
9	1	470065	Backrest upholstery, w/ lap belt cutout and reflector SW 48	pc.
10	1	470066	Backrest upholstery, w/ lap belt cutout and reflector SW 51	pc.
11	1	460016	Seat upholstery, black SW 39 cm	pc.
12	1	460017	Seat upholstery, black SW 42 cm	pc.
13	1	460018	Seat upholstery, black SW 45 cm	pc.
14	1	460019	Seat upholstery, black SW 48 cm	pc.
15	1	460020	Seat upholstery, black SW 51 cm	pc.

CANEO_E

Lightweight wheelchair



Assembly	Product name	Item no.	Version
Anti tip wheel	CANEO_E	220139 220142 220145 221139 221142 21145 220148 220151 221148 221151	V 4.0 2023-02



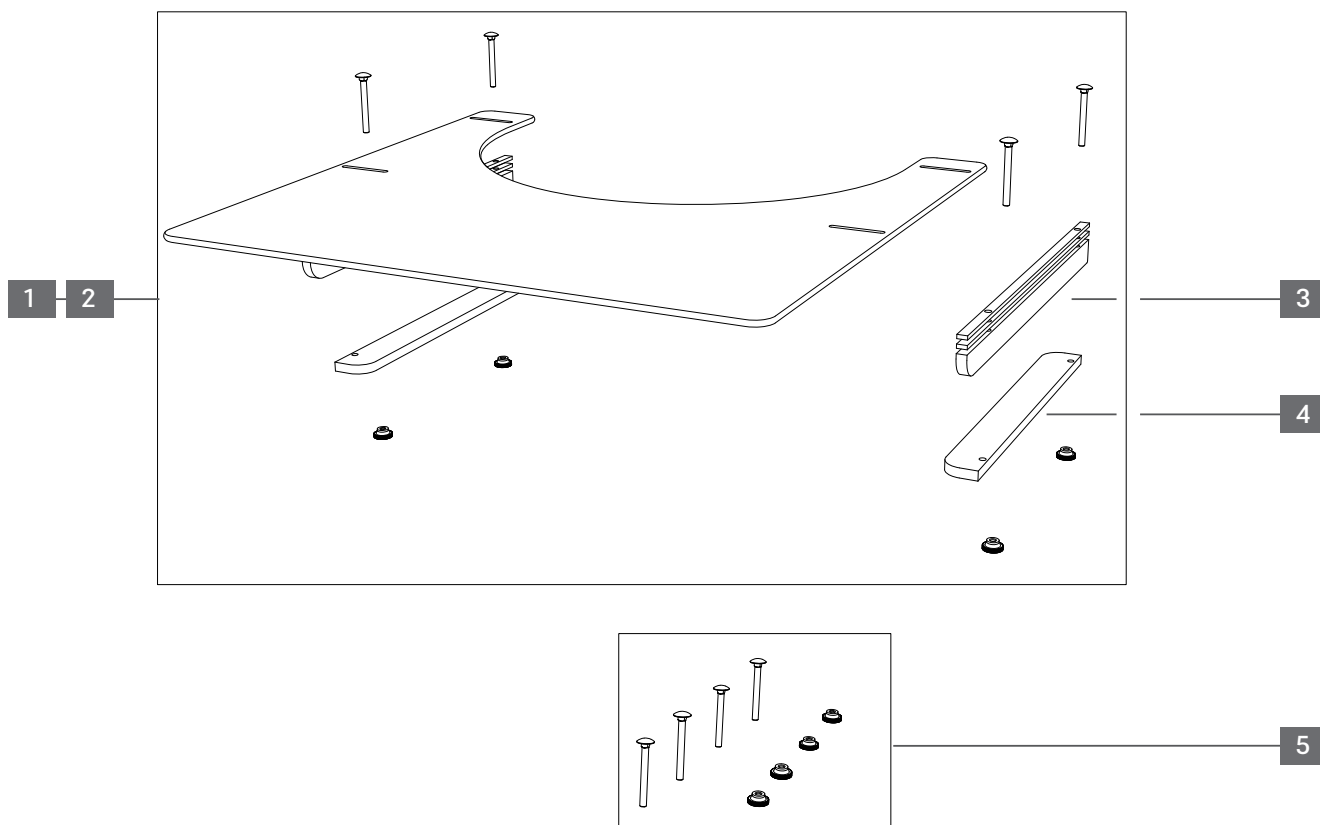
Position	QTY./assembly	Item no.	Description	QTY. supply
1	2	196206	Anti-tip wheel, left/right	pc.

CANEO_E

Lightweight wheelchair



Assembly	Product name	Item no.	Version
Activity tray	CANEO_E	220139 220142 220145 221139 221142 21145 220148 220151 221148 221151	V 4.0 2023-02



Position	QTY./assembly	Item no.	Description	QTY. supply
1	1	402270	Activity tray, SW 36-45 cm, acrylic glass width adjustable 48-57,5 cm	pc.
2	1	402271	Activity tray, SW 48-51 cm, acrylic glass width adjustable 53,5-63 cm	pc.
3	1	400911	Support rails long , activity tray 4 rails 4mm height/2 rails 25 mm height	set
4	1	400912	Support rails short , activity tray (set =2 rails)	set
5	1	401719	Screw set , activity tray (set = 4 screws & 4 knurled nuts)	set

CANEO_E

Lightweight wheelchair



Assembly	Product name	Item no.	Version
Power node system	CANEO_E	220139 220142 220145 221139 221142 21145 220148 220151 221148 221151	V 4.0 2023-02



Position	QTY./assembly	Item no.	Description	QTY. supply
1	1	195002	Bracket with short lap belt, power node	set
2	1	195009	Power node system, wheelchair with long belt	set
3	1	195003	Lap belt short , all power node systems	pc.
4	1	195004	Lap belt long , all power node systems	pc.

CANEO_E

Lightweight wheelchair



Assembly	Product name	Item no.	Version
Walking stick holder	CANEO_E	220139 220142 220145 221139 221142 21145 220148 220151 221148 221151	V 4.0 2023-02

1



Position	QTY./assembly	Item no.	Description	QTY. supply
1	1	402243	Walking stick holder set complete, 25 mm cane	pc.

CANEO_E

Lightweight wheelchair



Assembly	Product name	Item no.	Version
Folding lock	CANEO_E	220139 220142 220145 221139 221142 21145 220148 220151 221148 221151	V 4.0 2023-02



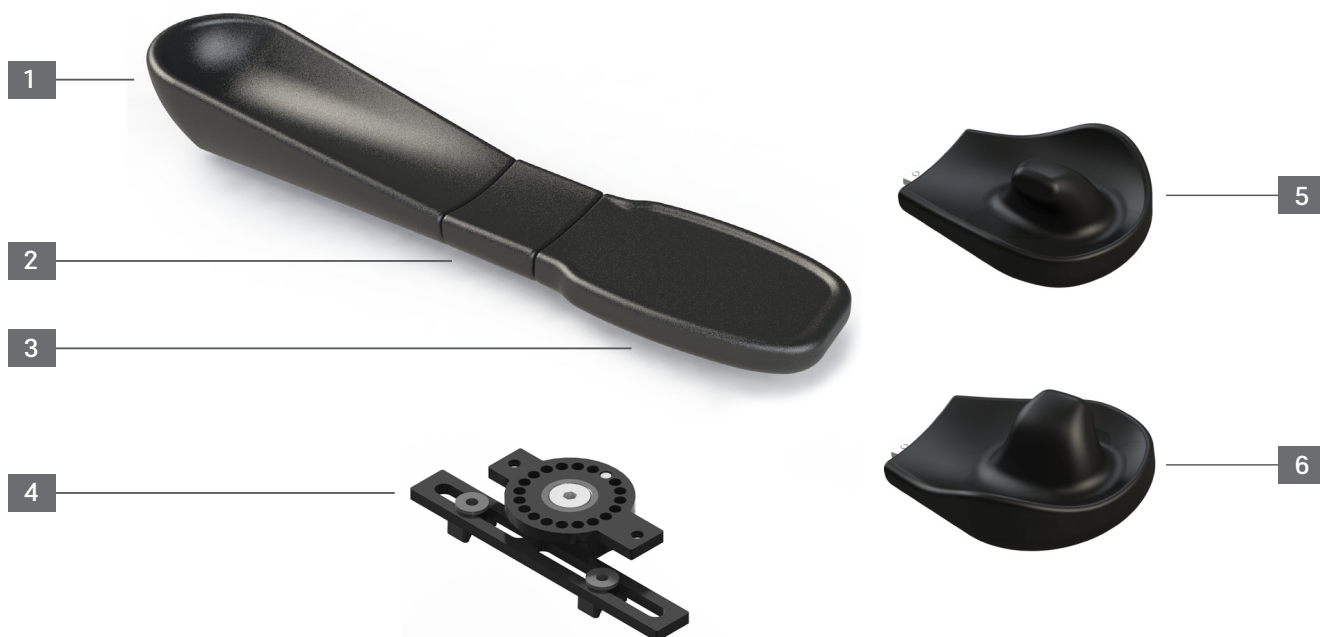
Position	QTY./assembly	Item no.	Description	QTY. supply
1	1	410017	Folding lock, black , SW 39-60 cm	pc.

CANEQ_E

Lightweight wheelchair



Assembly	Product name	Item no.	Version
HEMI armrest shell system	CANEQ_E	220139 220142 220145 221139 221142 21145 220148 220151 221148 221151	V 4.0 2023-02



Position	QTY./assembly	Item no.	Description	QTY. supply
1	1-2	194040	Forearm shell PU incl. slot stones, 28,5 x 12,25 x 7,8 cm (L/W/H)	pc.
2	1-2	194041	Extension forearm shell, PU, 7 x 9,5 x 3 cm (L/W/H)	pc.
3	1-2	194042	Handpiece flat incl. connection, 4 threaded pins, 18 x 13,6 x 3 cm (L/W/H)	pc.
4	1-2	194044	Pivot arm, arm cup, 360 ° rotatable, incl. mounting plate, lt./rt.	pc.
5	1	194045	Handpiece ergo lt., incl. connection pl., 4 threaded pins, 19,2x 15,2 cm (L/W)	pc.
6	1	194046	Handpiece ergo rt., incl. connection pl., 4 threaded pins, 19,2x 15,2 cm (L/W)	pc.

CANEO_E

Lightweight wheelchair



Assembly	Product name	Item no.	Version
Other	CANEO_E	220139 220142 220145 221139 221142 21145 220148 220151 221148 221151	V 4.0 2023-02

Position	QTY./assembly	Item no.	Description	QTY. supply
w/o fig.	1-2	190016	Infusion holder, stainless steel, with two arm holder of plastic	pc.
w/o fig.	1	400351	Shopping net, SW 36-51 cm, black folding wheelchair	pc.
w/o fig.	1	400810	Head rest, complete SW 40-56 cm	pc.
w/o fig.	1	402101	Lap belt, Press, with metal buckle	pc.