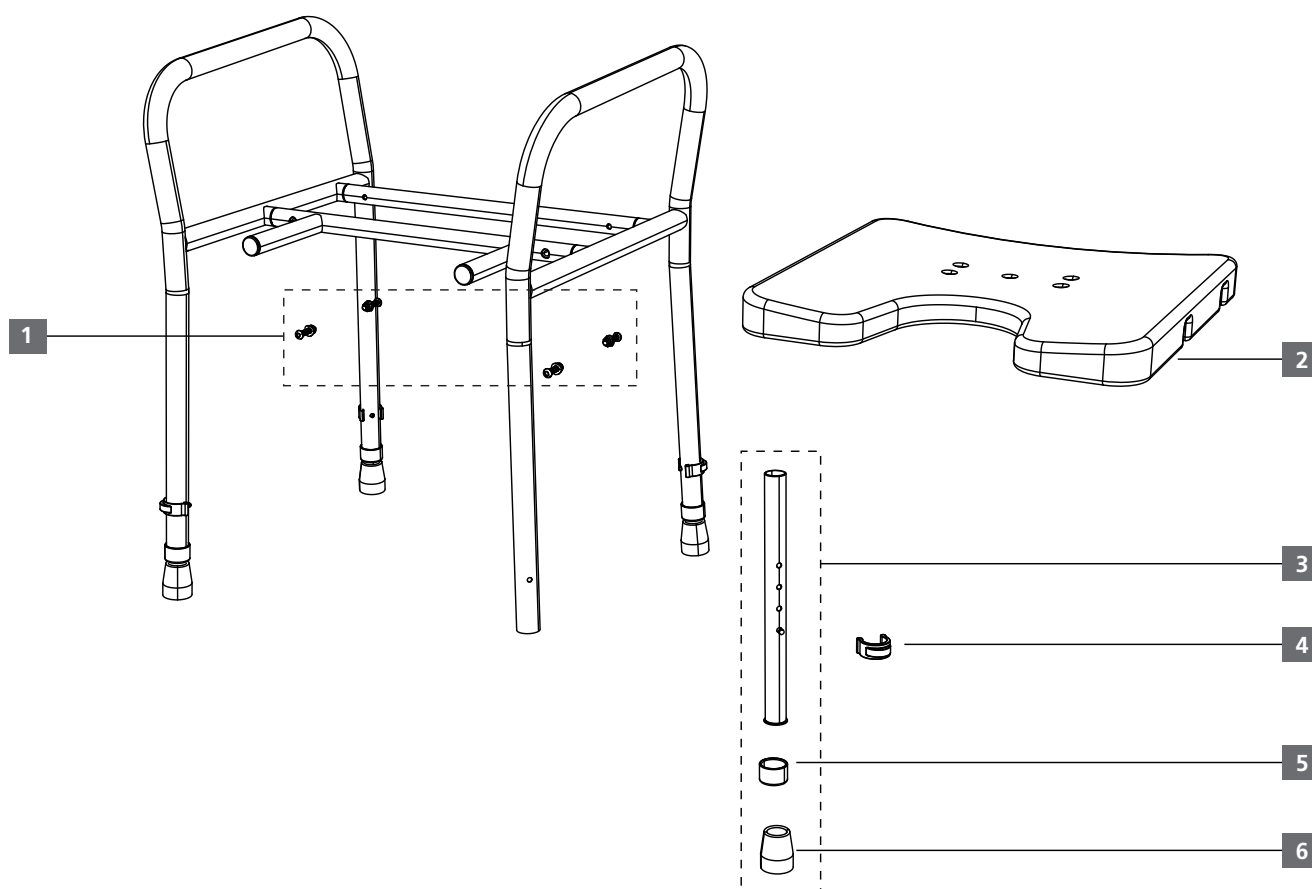


9402-A

Shower stool

TOMTAR®

| Product name | Product design | Item no. | Version |
|--------------|----------------|----------|-------------------|
| 9402-A | Shower stool | 411223 | V 3.1. 2022-04 |



| Position | QTY./ Product | Item no. | Description | QTY. supply |
|----------|------------------|----------|----------------------------------|-------------|
| 1 | 1 | 000265 | Screw set (4 pcs) | Set |
| 2 | 1 | 600913 | Seat with hygiene cutout | Pc. |
| 3 | 8 | 000209 | Telescopic leg incl. rubber foot | Pc. |
| 4 | 4 | 000263 | Pin clip, telescopic leg | Pc. |
| 5 | 4 | 000288 | Guide cuff, telescopic leg | Pc. |
| 6 | 4 | 000264 | Rubber feet, telescopic leg | Pc. |
| w/o fig. | 5 | 491002 | Plug, seat (1 pc.) | Pc. |