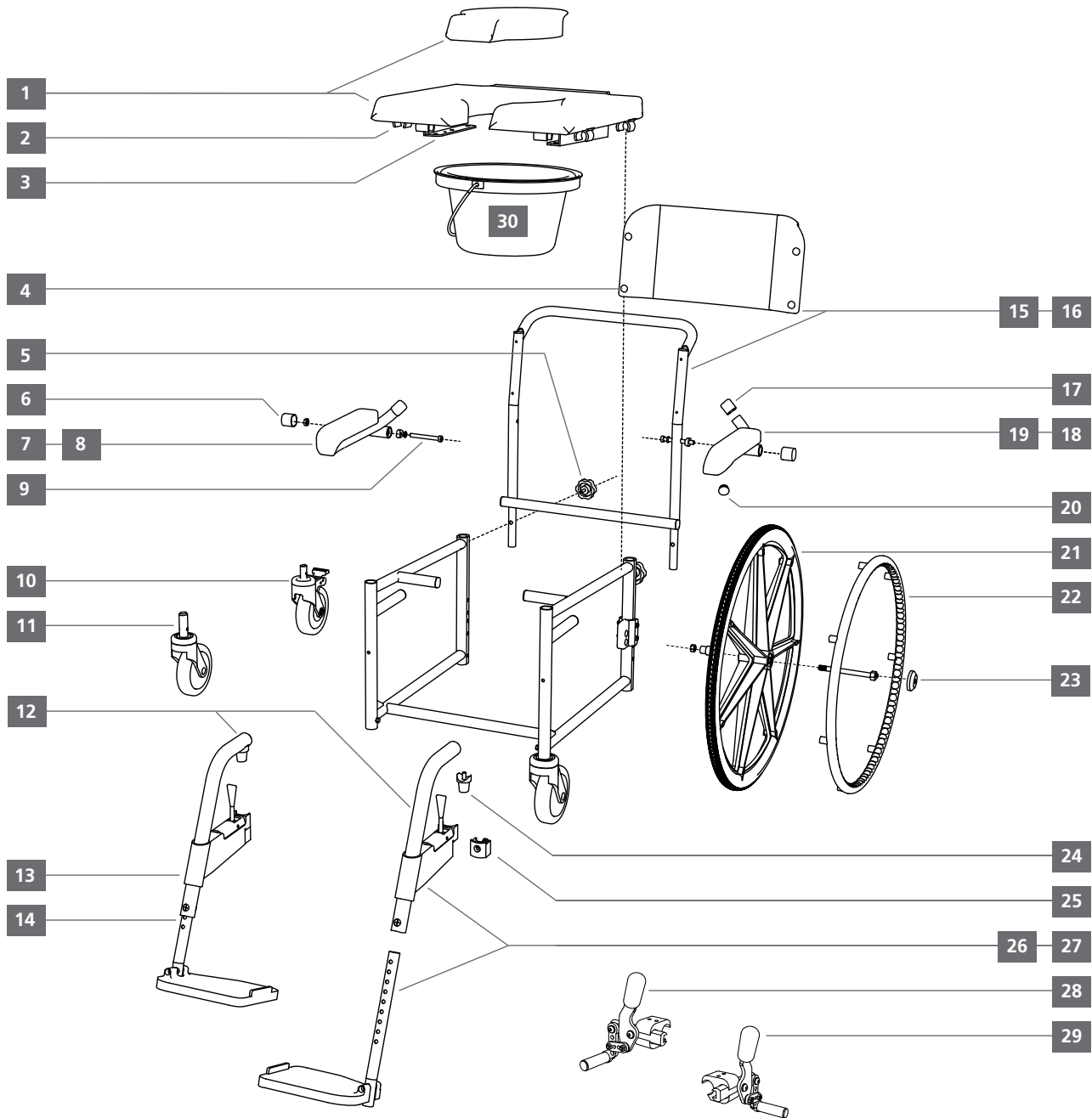


Levina 320-2 / Levina 400-2

Shower commode wheelchair



Product description	Product name	REF (article number)	Version
Shower commode transport wheelchair	Levina 320-2	140021	V4.1
Shower commode wheelchair	Levina 400-2	140022	11/2024



Spare parts

Object	Quantity product	Levina 320-2	Levina 400-2	REF	Description	QTY supply
01	1	■	■	600998	Main seat pad with cover & holders	pc.
02	6	■	■	601010	Seat fixation clip incl. 2 screws	pc.
03	1	■	■	490001	Bucket holder, plastic, left and right	pair
04	4	■	■	490003	Cover cap for screw backrest pad	pc.
05	2	■	■	601009	Fixation screw for backrest Levina	pc.

Levina 320-2 / Levina 400-2

Shower commode wheelchair



Product description	Product name	REF (article number)	Version
Shower commode transport wheelchair	Levina 320-2	140021	V4.1
Shower commode wheelchair	Levina 400-2	140022	11/2024

Spare parts

Object	Quantity product	Levina 320-2	Levina 400-2	REF	Description	QTY supply
06	2	■	■	490013	Cover cap for screwing of armrest	pc.
07	1	■	■	490015	Armrest right, with padding	pc.
08	1	■	■	601001	Armrest pad, right	pc.
09	2	■	■	490024	Screw set complete for armrest	set
10	2	■		600996	Wheel 5" with brake, incl. wheelfork & screw	pc.
11	2	■	■	600997	Wheel 5" without brake, incl. wheelfork & screw	pc.
12	2	■	■	490018	Legrest upper part left/right	pc.
13	1	■	■	490017	Legrest right	pc.
14	1	■	■	490020	Legrest lower part, right	pc.
15	1	■	■	601003	Backrest upholstery	pc.
16	1	■	■	490023	Backrest frame with upholstery, w/o armrests	pc.
17	2	■	■	490025	Cover cap for tail pipe for armrest	pc.
18	1	■	■	490014	Armrest left, with padding	pc.
19	1	■	■	601000	Armrest pad, left	pc.
20	2	■	■	490026	Plug for tail pipe of armrest, front	pc.
21	2		■	600995	Wheel 24" PU, complete < SN 68901324	pc.
	2		■	600994	Wheel, 24 x 1x3/8", PU, complete ≥ SN 68901324	pc.
22	2		■	490004	Push rim	pc.
23	2		■	601015	Axle for wheel 24" complete	pc.
24	2	■	■	490022	Locking pin for legrest incl. fixation material	set
25	2	■	■	490021	Mounting block for legrest incl. fixation material	set
26	1	■	■	490019	Legrest lower part, left	pc.
27	1	■	■	490016	Legrest left	pc.
28	1		■	601014	Locking brake, right for wheel 24"	pc.
29	1		■	601013	Locking brake, left for wheel 24"	pc.
30	1	■	■	500854	Bucket with lid and handle, grey	pc.
w/o pic.	1	■	■	490027	Calfstrap, black	pc.
w/o pic.	1	■	■	601008	Cover cap for end of armrest tube	pc.