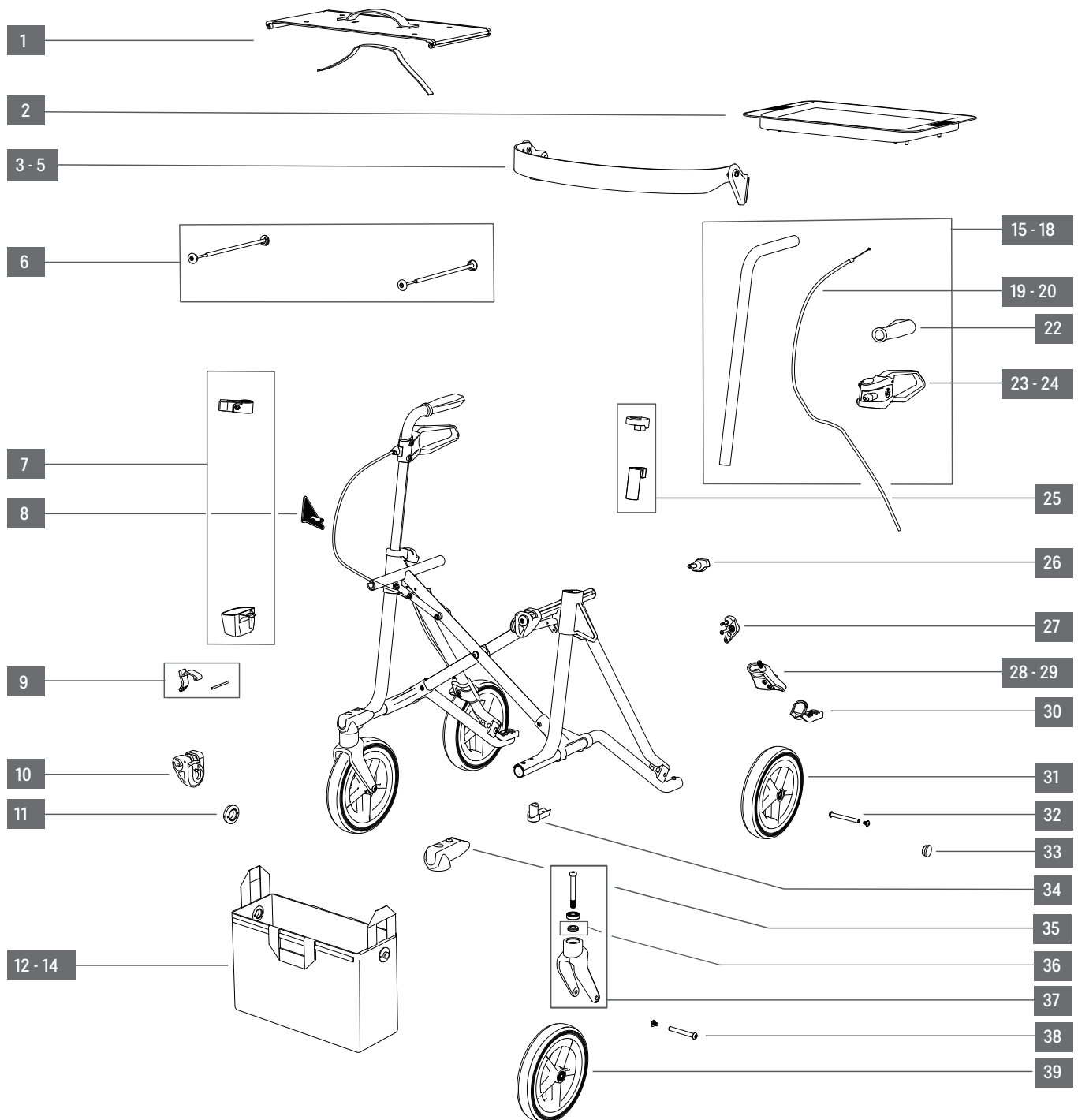


TAiMA VENTUM

Premium rollator



Product name	Item no.	Version
TAiMA VENTUM, amarena	200165	V 1.0.1
TAiMA VENTUM, cashmere	200166	2025-07



Position	Quantity / Product	Item no.	Description	QTY. delivered
1	1	290319	Seat sling (textile, set), black, incl. drawstring folding lock (gray)	set
2	1	280009	Tray, acryl, transparent	pc.
3	1	290323	Backrest strap (set), amarena/black, incl. mounting material	set
4	1	290324	Backrest strap (set), cashmere/black, incl. mounting material	set

TAiMA VENTUM**DIETZ GROUP**

Premium rollator

Product name		Item no.	Version
TAiMA VENTUM, amarena		200165	V 1.0.1
TAiMA VENTUM, cashmere		200166	2025-07

Position	Quantity / Product	Item no.	Description	QTY. delivered
5	1	290325	Backrest strap (set), black, incl. mounting material	set
6	1	290320	Rail (pair), Seat sling, incl. screws, cover caps	pair
7	1	290303	Cane holder (set), upper & lower part	set
8	1	290315	Reflector (pair), side frame, incl. screws	pair
9	1	290318	Folding safety hooks (set), incl. 2x connecting pins	set
10	1	290316	Female magnet holder (pair), rollator, incl. Female magnets	pair
11	1	290317	Male magnet (pair), bag	pair
12	1	290326	Standard bag, black, incl. 2x Male magnets	pc.
13	1	290327	Standard bag, amarena/black, incl. 2x Male magnets	pc.
14	1	290328	Standard bag, cashmere/black, incl. 2x Male magnets	pc.
15	1	290305	Push handle, left incl. grip, brake lever, brake cable	set
16	1	290331	Push handle, right incl. grip, brake lever, brake cable	set
17	1	290332	Push handles extended , left (91 - 108,5 cm), incl. grip, brake lever, brake cable	set
18	1	290333	Push handles extended , right (91 - 108,5 cm), incl. grip, brake lever, brake cable	set
19	1	290309	Brake cable (pair)	pair
20	1	290310	Brake cable (pair) for extended push handles	pair
21	1	290130	Single hand brake, left / right, conversion kit (2 brake cable, set)	set
22	1	290338	Grip left	pc.
22	1	290339	Grip right	pc.
23	1	290307	Brake lever set, left, without brake cable	pc.
24	1	290308	Brake lever set, right, without brake cable	pc.
25	1	290312	Latching mechanism (pair), push handle, incl. spring, ball	pair
26	1	290311	Locking screw (pair), push handle	pair
27	1	290321	Folding lock (set), incl. lever, spring, fixing material	set
28	1	290313	Brake pad left (set), incl. bolt, spring, screws, adjustment screw, reflector	set
29	1	290314	Brake pad right (set), incl. bolt, spring, screws, adjustment screw, reflector	set
30	1	290304	Curb climber (pair), incl. screws	pair
31	2	290297	Wheel rear, 8", PP + PUR, black	pc.
32	2	290302	Axle (set), wheel rear	set
33	1	290299	Cover cap (pair), wheel rear	pair
34	1	290334	Support profile, wheel fork front	pc.
35	1	290300	Cover (pair), wheel fork, incl. screws	pair
36	1	290335	Steering damper (pair)	pair
37	2	290298	Wheel fork (set)	set
38	2	290301	Axle (set), wheel front	set
39	2	290296	Wheel front, 8", PP + PUR, black	pc.
no pict.	1	290329	Premium bag, amarena/black, incl. 2x Male magnets	pc.
no pict.	1	290330	Premium bag, cashmere/black, incl. 2x Male magnets	pc.
no pict.	1	297001	Covering hood, rollators, grey, w/ lead tape at the bottom	pc.
no pict.	1	601227	Umbrella rollator, red, w/ mount	pc.
no pict.	1	601228	Umbrella rollator, macchiato, w/ mount	pc.