

**TOMTAR®**

# **Levina 320-2**

# **Levina 400-2**

Shower commode chairs  
User manual


EN



Version 3.0.0

### Record of product identification data

We recommend that you write down your product identification data (found on product label) below, so that you have these on hand should you require any further information about your product (see chapter "Product labelling").

<b>TYP</b> Type / model:	
<b>REF</b> Item No. / REF:	
<b>UDI</b> Serial number (21):	
 Date of manufacture:	
Other information/notes:	

Thank you for choosing to purchase a Levina shower commode chair from DIETZ.

This product is a medical aid. In order to use it properly and avoid possible risks due to unintended use, you must become thoroughly familiar with its operation.

Read this user manual carefully before you begin using your shower commode chair. It contains important instructions that will enable you to fully take advantage of the technical benefits.

In addition, you will receive information that will aid with maintaining operational safety and the preservation of your investment in your shower commode chair.

If you have any questions or require additional information, please contact the specialist retailer which supplied the product to you.

You will always find the latest information about your product on our website. For information or queries concerning product safety and on recalls, please contact DIETZ in writing or by telephone. You will find our contact information on the back of this user manual.



#### NOTE

A large-print version of this user manual is available for visually impaired persons at

**[www.dietz-group.de](http://www.dietz-group.de)** in PDF format. \_\_\_\_\_



## 01 Important information

General information . . . . .	5
Intended purpose . . . . .	5
Indications . . . . .	5
Contraindications . . . . .	5

## 02 Product description

Symbols . . . . .	6
Scope of delivery . . . . .	6
Accessories (optional) . . . . .	7
Levina 320-2 product layout . . . . .	7
Levina 400-2 product layout . . . . .	7

## 03 Preparing the product for use

Information on Assembly . . . . .	8
Tools . . . . .	8
Assembly instructions . . . . .	8
Mounting rear wheels on Levina 400-2 . . . . .	8
Mounting parking brakes on Levina 400-2 . . . . .	9
Attaching the seat surface . . . . .	10

## 04 Using the shower commode chair

Attaching the leg rests . . . . .	11
Basic adjustments . . . . .	11
Adjusting the height of the foot plates . . . . .	11
Using the parking brakes . . . . .	12
Getting in and out of the Levina . . . . .	13
Getting in and out from the side . . . . .	14
Getting in and out from the front . . . . .	14
Propelling and slowing down Levina 400-2 . . . . .	15
Use as a commode chair . . . . .	16
Use as a shower chair . . . . .	16
Transport . . . . .	17
Accessories & add-ons from external suppliers . . . . .	17

## 05 Settings & accessories

Important notes for making adjustments . . . . .	18
Removing/replacing the pail rail . . . . .	18
Accessory toilet pail (optional) . . . . .	18
Accessory height adapter 50 mm (optional) . . . . .	19

## 06 Technical data

Shower commode chair dimensions . . . . .	20
Product tests . . . . .	21
Further technical information . . . . .	22
Materials . . . . .	22

## 07 Safety instructions

Safety instructions . . . . .	23
-------------------------------	----

## 08 Instructions for general use

Servicing / maintenance . . . . .	24
Maintenance schedule . . . . .	25
Fault-finding and rectification . . . . .	26
Repair / replacement of a swivel wheel . . . . .	26
Cleaning . . . . .	27
Disinfection . . . . .	27
Handing over and reuse . . . . .	27
Storage . . . . .	28
Disposal . . . . .	28
Product labelling . . . . .	29

## 09 Manufacturer declarations

Warranty . . . . .	30
Lifetime . . . . .	30
Liability . . . . .	30

## GENERAL INFORMATION

---

This user manual is included in the scope of delivery. The user should keep this manual on hand at all times and it must remain with the product if the product is passed on to a third party. We reserve the right to make changes to the versions shown in this user manual as a result of further technical development. Reprints, translations and reproductions of this manual in any form, in whole or in part, require the written approval of DIETZ GmbH. The copyright is owned by the manufacturer. You can obtain the latest version of the user manual by contacting DIETZ GmbH.

## INTENDED PURPOSE

---

The shower commode chair was developed for people with limited mobility. It is designed exclusively for indoor use and serves as an aid for bodily hygiene, showering, bathing and going to the toilet. Use for other purposes is not permitted. The shower commode chair is designed for a maximum user load of 120 kg. If the shower commode chair is moved by an accompanying person, this person must be physically capable of pushing and braking the occupied wheelchair. The shower commode chair is not to be used by children and persons who are shorter than 146 cm or weigh less than 40 kg (BMI < 17). The Levina is not suitable for use as permanent seating.

## INDICATIONS

---

The use of a Levina is indicated when people with limited mobility are unable to use the existing bathtub and/or shower, possibly also with a bath or shower aid. Even if it is not possible to use or reach the shower / toilet due to the disability, the Levina can be used as a commode chair.

## CONTRAINDICATIONS

---

The use of the shower commode chair is not indicated for:

- ▼ Perception disorders
- ▼ Severe disequilibrium
- ▼ Inability to sit
- ▼ A body weight exceeding 120 kg.

## SYMBOLS

---

These symbols indicate passages of text that are helpful for using and operating the product in everyday life.



### WARNING

It is mandatory to observe and comply with warnings. They draw your attention to the fact that failure to comply with them may result in injury and/or damage to the product or the environment. \_\_\_\_\_



### NOTE

Tips and advice which make using the various functions easier. \_\_\_\_\_

## SCOPE OF DELIVERY

---

The shower commode chair is partially assembled at the factory and packaged in a box. Loose components are secured in other enclosed cardboard boxes and films. Upon receipt of the goods, please immediately check to make sure that the contents are complete and undamaged. If the contents are noticeably damaged, inform the specialist retailer immediately.

The contents consist of:

- ▼ 1 Levina shower commode chair incl. seat surface with hygiene opening/insert
- ▼ 1 user manual
- ▼ In separate box: 2 leg rests, calf strap, and locking screws
- ▼ 2 parking brakes, separately for Levina 400-2
- ▼ Accessories (if selected)



### WARNING

**Risk of poisoning:** When burnt, packaging films can release toxic gases.

**Risk of suffocation:** Keep the plastic bags out of the reach of children. \_\_\_\_\_

## ACCESSORIES (OPTIONAL)

Accessories available from the manufacturer:

- ▼ Height adapter
- ▼ Pail

## LEVINA 320-2 PRODUCT LAYOUT

- A)** Push bar for accompanying person
- B)** Backrest
- C)** Armrests, can be folded upwards
- D)** Seat surface with opening
- E)** Leg rest, can be swiveled away, removable
- F)** Locking screw for rear frame
- G)** Swivel wheel
- H)** Swivel wheel with total lock

Not shown in the figure:

- Calf strap
- Hygiene opening/insert
- Insertion rail for toilet pail



Fig.1

## LEVINA 400-2 PRODUCT LAYOUT

- A)** Push bar for accompanying person
- B)** Backrest
- C)** Armrests, can be folded upwards
- D)** Seat surface with opening
- E)** Parking brake
- F)** Rear wheel with push rims
- G)** Swivel wheels
- H)** Leg rest, can be swiveled away, removable

Not shown in the figure:

- Calf strap
- Hygiene opening/insert
- Insertion rail for toilet pail



Fig.2

## INFORMATION ON ASSEMBLY

---

The shower commode chair will need to be assembled after being unpacked. The assembly and the functional check are to be performed by the specialist dealer. The dealer's technician adapts the shower commode chair to the respective user.



### WARNING

**Risk of rolling away:** Before any action while stationary, actuate the total locks or the parking brakes on the shower commode chair (Levina 400-2).

**Risk of trapping:** on all movable parts! \_\_\_\_\_

## TOOLS

---

The following standard tools are required for the shower commode chair:

- ▼ Open-end spanner 8, 10, 17
- ▼ Allen key 4, 5
- ▼ Phillips screwdriver ph1, ph2

## ASSEMBLY INSTRUCTIONS

---

### Mounting rear wheels on Levina 400-2

**Tools:** 2 x 17 mm open-end spanner,  
Phillips screwdriver ph1

1. Disassemble the axle from the drive wheels.
2. Mount the drive wheels with the axle from the outside to the inside in the lower drill hole of the rear wheel adapter plate (1, Fig. 3).
3. Finally screw the cover caps back onto the quick-release axle (2, Fig. 3).

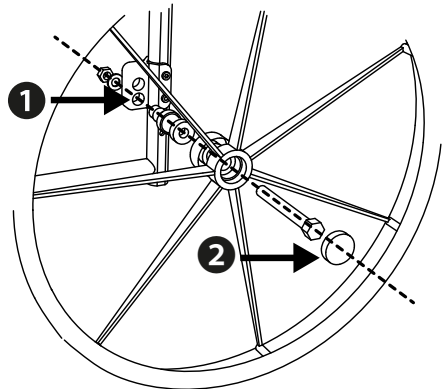


Fig.3

## Mounting parking brakes on Levina 400-2

**Tools:** 5 mm Allen key

The parking brakes are enclosed separately in in the scope of delivery.

1. The distance between the brake pin and tyre casing must be 50 mm at the narrowest point when the brake is fully open (Fig. 4).
2. Make sure that the distance between the brake bolt and the tire cover is 50 mm (Fig. 4), when installing the brake fastening adapter (1, Fig. 5).
3. Subsequently, re-tighten the connection (1, Fig. 5) and repeat the steps on the other side for the second parking brake.
4. Check that everything is working properly.  
When the brakes are engaged, it must not be possible to push the shower commode chair.

When using the optional height adapter, the distance between the brake bolt and the tire cover must also be 50 mm. To correct this, loosen the fastening adapter of the brake again and bring it into the correct position (1, Fig. 5).

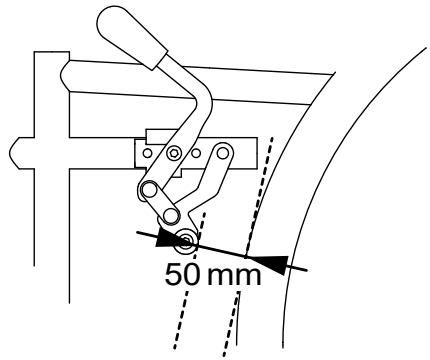


Fig.4

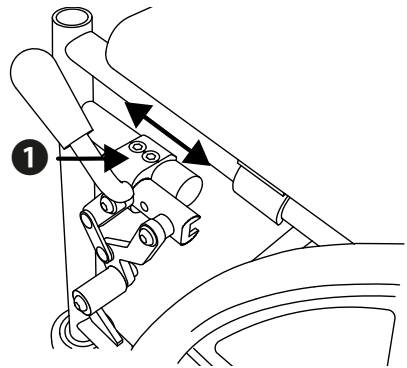


Fig.5



### WARNING

**Risk of rolling away:** Ensure that the brakes are evenly adjusted on both sides of the shower commode chair. \_\_\_\_\_



### NOTE

**Orientation marker:** The red markings on the frame and on the brake include the fastening adapter of the brake (1, Fig. 5) on the right and left side, when standard mounting without the height adapter set. \_\_\_\_\_

## Mounting the backrest

1. Insert the back frame tubes from above into the rear tubes of the base frame (1, Fig. 5).
2. The frame tubes are firmly screwed together using the star grip screws provided (2, Fig. 3).

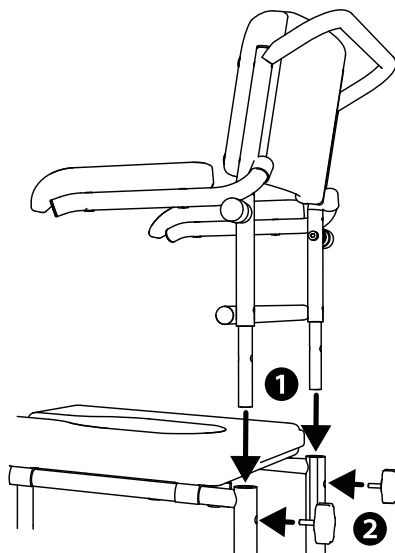


Fig.6

## Attaching the seat surface

1. First, engage the parking brakes.
2. Now insert the seat cushion, aligning the recess with the rear cross member of the frame (1, Fig. 7).
3. Now press the seat down onto the frame from above with your hands spread flat.
4. Make sure that the clips on the underside of the seat surface snap completely into the frame.

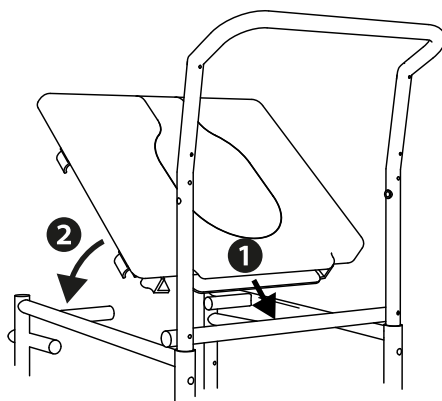


Fig.7



### WARNING

**Risk of trapping:** When the seat upholstery snaps into place, there is a danger of fingers getting caught between the frame and the upholstery!

## Attaching the leg rests

1. Hook the leg rests into the sides of the frame tube from above (1, Fig. 8).
2. Fold the leg rest forwards until it audibly engages (2, Fig. 8).

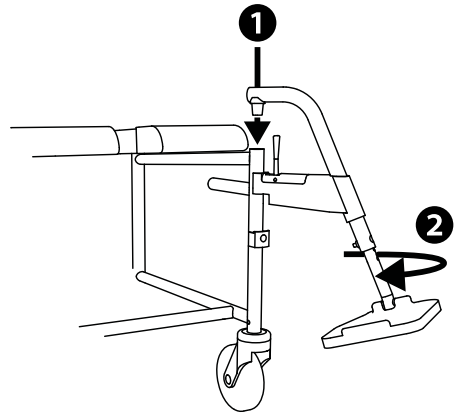


Fig.8

## BASIC ADJUSTMENTS

### Adjusting the height of the foot plates

1. Loosen the screw connection on the back of the leg rest tube. (1, Fig. 9).
2. Set the desired height of the foot plate over the 9 drill holes (2, Fig. 9).
3. Insert the screw into the desired drill hole and tighten the screw firmly.



#### NOTE

The setting is correct if your thighs are horizontal on the seat surface when the feet are placed on the foot plates. \_\_\_\_\_

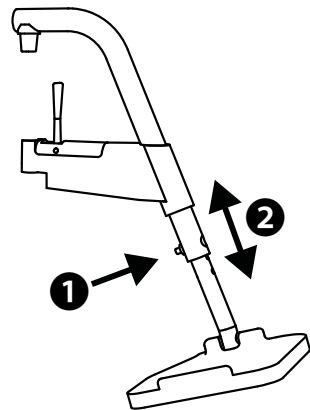


Fig.9

## USING THE PARKING BRAKES

### Brakes on Levina 320-2

The Levina 320-2 is outfitted with four 5-inch swivel wheels. The two rear ones are equipped with total locks. When the respective total lock is engaged, the swivel wheel is braked and also prevented from rotating. To ensure a firm footing, always engage both total locks.

1. Actuate the total lock mechanism by stepping on the locking rocker of both rear wheels. (1, Fig. 10)
2. To release the total lock, step on the small rocker lever (2, Fig. 10).

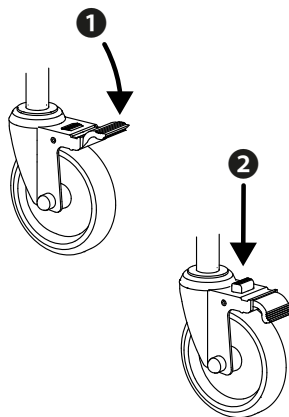


Fig.10

### Brakes on Levina 400-2

The shower commode chair has one parking brake on either side. They can be used to park the shower commode chair safely. They are not suitable for braking while in motion! For this purpose, the push rims are to be used. To brake, use your palms to apply light pressure. (see chapter „Levina 400-2 propelling and slowing down“).

1. Push both brake levers forwards (1) until they snap perceptibly into place and the brake pads (2) lock the wheels into place (Fig. 11).
2. To release the parking brakes: Pull the brake levers back towards the rear.

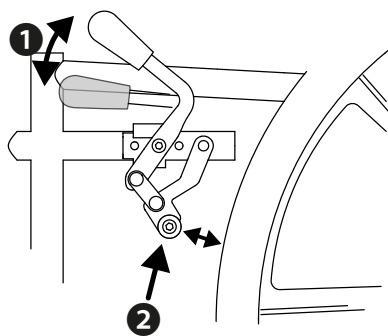


Fig.11



## WARNING

**Risk of injury:** Do not use the parking brakes to stop the shower commode chair during motion, as this may cause the wheels to lock.

If a brake is damaged, discontinue use of the shower commode chair immediately. \_\_\_\_\_

## GETTING IN AND OUT OF THE LEVINA

To get in and out of your Levina as easily and safely as possible, pay attention to the following tips:

1. Release the leg rests and fold them outwards. (see next section).
2. If possible, place the Levina's rear wheels against a solid wall.
3. Apply the parking brakes or locking brakes to lock the Levina in place.
4. Stand as close as possible to the Levina. Turn around, then carefully move backwards until your legs touch the edge of the seat.
5. Now grasp the side elements with both hands and seat yourself down slowly and carefully into the shower commode chair.
6. Now fold both leg rests forward, towards the direction of travel. Listen and feel for the click to ensure that the leg rests are correctly engaged.
7. Finally, fold both foot plates downwards using your feet and place your feet on the foot plates (see the section „Getting in and out from the front“)..

Perform these steps in reverse to get back up.

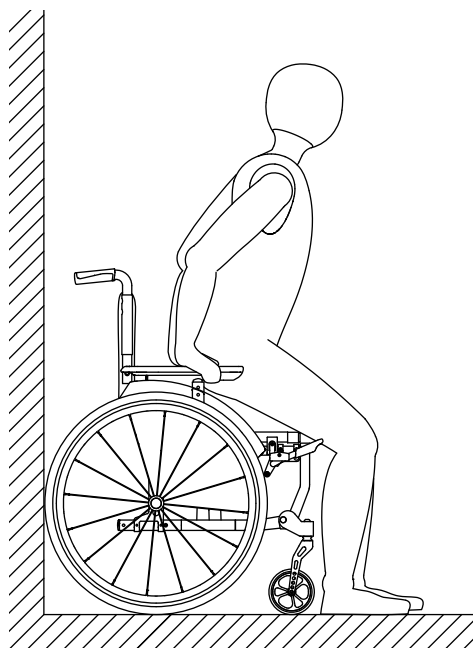


Fig.12



### NOTE

Place the rear of the shower commode chair up against a stable wall. This ensures that the shower commode chair will not roll away on smooth surfaces.

## GETTING IN AND OUT FROM THE SIDE



### WARNING

**Danger of falling:** When transferring side-wards or standing up, always swivel the footrests off to the side. Never stand on the foot plates. \_

1. First, engage the parking brakes (1, Fig. 13).
2. To make it easier to sit down or get up, the armrests can easily be folded back (2, Fig. 13).
3. To swivel the leg rests, operate the lever on the frame pipe (1, Fig. 14) and swivel the leg rest simultaneously towards the outside (2, Fig. 14).
4. The leg rest can then be removed in an upwards direction (3, Fig. 14).



### WARNING

**Risk of trapping:** When folding the armrests down, body parts and pieces of clothing may get caught in the attachment. \_\_\_\_\_

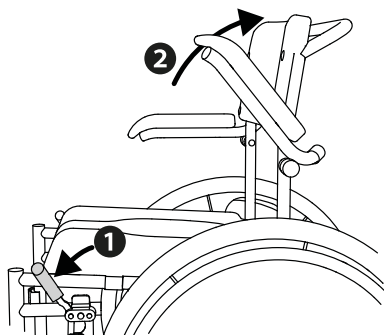


Fig.13

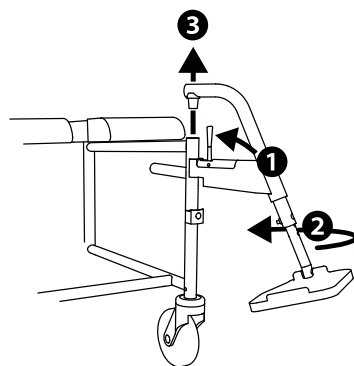


Fig.14

## GETTING IN AND OUT FROM THE FRONT

1. First, engage the parking brakes.
2. To make it easier to sit down and get back up, the foot plates can be folded upwards (Fig. 15). Alternatively, the entire leg rest can also be swiveld outwards (Fig. 14).

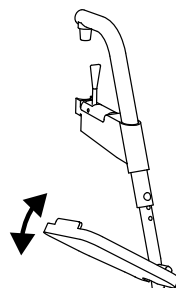


Fig.15

## PROPELLING AND SLOWING DOWN LEVINA 400-2

The **Levina 400-2** is pushed and slowed down using the push rims. Grip the push rims with your hands, with your thumbs pointing forwards on the push rims (siehe Fig.16).



### WARNING

**Risk of injury:** Ensure that your thumbs do not touch the tyre casing of the wheel whilst the wheelchair is in motion.

To propel the Levina 400-2 forwards: Push both wheels forwards evenly.

To propel the shower commode chair backwards: Push both wheels backwards evenly.

To brake the shower commode chair: Close your hands around the push rims and gradually increase the pressure of your grip.

To steer to one side: Slow the wheel on the side to which you wish to turn.

To turn the shower commode chair on the spot: Push one wheel forwards and the other wheel backwards at the same time.



### WARNING

**Risk of burning:** If you brake the shower commode chair sharply, the push rims can become hot in your hands.

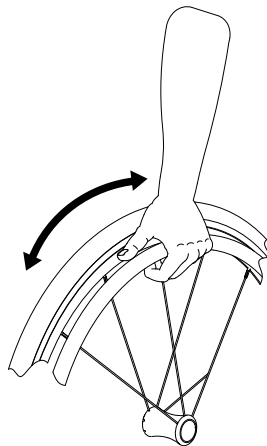


Fig.16

## USE AS A COMMODE CHAIR

### Before use:

1. First, engage the parking brakes.
2. Place the pail without a lid over the slide rail from behind under the seat until it locks in place.
3. If necessary, remove the insert of the hygiene opening.

### After use:

1. To empty the pail, pull it out towards the rear. (Fig. 17)
2. Place the lid on the pail.
3. After emptying, clean the product as prescribed (see chapter "Cleaning" / "Desinfection").

### Use with a conventional toilet:

1. First, remove the pail by pulling it out towards the rear (Fig. 17).
2. Remove the hygiene opening.
3. Fold the toilet seat back.
4. Move the chair over the toilet bowl and engage the parking brake (or have your accompanying person do it for you).



### WARNING

**Risk of trapping:** Do not pull out the pail while a person is still sitting on the shower commode chair.

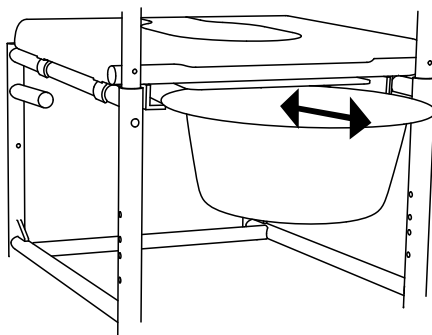


Fig.17

## USE AS A SHOWER CHAIR

1. First, engage the parking brakes and pull the toilet pail out towards the rear.
2. To make it easier to clean and care for your body, remove the insert of the hygiene opening.



### WARNING

**Risk of trapping:** Do not pull out the pail while a person is still sitting on the shower commode chair.

After showering, clean the product as prescribed (see chapter "Cleaning" / "Disinfection").

## TRANSPORT

---

The shower commode chair is not a device for frequent transport. Should it be necessary to transport the chair, we recommend disassembling it according above assembly instructions in reverse. The shower commode chair should be packed such that it is in a stable position and there is no danger of sudden and dangerous movements in the means of transport.

If you have to carry the assembled Levina, we recommend that you remove the footrests before lifting the shower commode chair by using both sides of the seat frame.



### WARNING

**Risk of injury:** Never lift the wheelchair by the footrest suspensions or the leg rests. \_\_\_\_\_

## ACCESSORIES & ADD-ONS FROM EXTERNAL SUPPLIERS

---

Generally, only original accessories from DIETZ GmbH are permitted to be used. If third-party products are installed on the shower commode chair, responsibility for the safety of the product passes to the person who installs the accessories or carries out the installation. A new declaration of the compliance of the combination of accessories or add-on and product is then to be made by the person who attaches it. The compliance declared by DIETZ according to MDR 2017/745, Annex II shall expire.



### WARNING

**Safety hazard:** Should add-ons or accessories that are not sold by DIETZ be used, the safety of the product cannot be guaranteed.

If accessories or add-ons are added to the shower commode chair, the safety instructions in the user manual for the accessories or add-ons must be observed. \_\_\_\_\_

## IMPORTANT NOTES FOR MAKING ADJUSTMENTS

---

Accessories are sometimes required for the settings described below. Only original accessories from DIETZ may be used. Only then is the compliance and thus the safety of the product guaranteed.

When setting up a new user for the first time, all wheelchair adjustments must be carried out by qualified specialists so that correct positioning and safety can be guaranteed.



### WARNING

Complex adjustment tasks that can result in a risk of accident if not performed correctly must only be conducted by designated specialist staff and are labelled accordingly. "Only to be performed by specialist staff".

This applies in particular to adjusting the brakes and for settings that affect the stability of the wheelchair.

---

## Removing/replacing the pail rail

**Tools:** Phillips screwdriver ph2

By removing the pail rail, you gain an additional drive-over height of 25 mm. This may be necessary for using the Levina with a conventional toilet.

1. To do so, remove the seat surface from the frame by pulling it upwards from the front, out of the clamp bracket.
2. Loosen the four screws of the pail rails on the underside using a Phillips screwdriver.

## Accessory toilet pail (optional)

The optional toilet pail is supplied with a lid and is pushed into the pre-assembled pail rails from behind under the chair before use as a commode chair. For cleaning instructions, please refer to the chapter "Cleaning"/"Disinfection".

## Accessory height adapter 50 mm (optional)

### Only to be performed by specialist staff:

**Tools:** Phillips screwdriver ph1, open-end spanner 17 mm (2 pc.) and 10 mm, Allen key 5 mm

The height adapter set consists of two height adapters for the front wheels  $\varnothing 19$  mm and two height adapters for the rear wheels  $\varnothing 17.7$  mm. With the Levina 320-2 all four height adapters are required, with the Levina 400-2 only the front ones ( $\varnothing 19$  mm), as the drive wheel height is adjusted downwards by moving the rear wheel adapter.

#### Levina 320-2

1. Remove all four swivel wheels with the 10 mm open-end spanner and pull them down out of the frame.
2. Place the four height adapters between the frame and the swivel wheel and screw them firmly onto the frame ( Fig. 18).

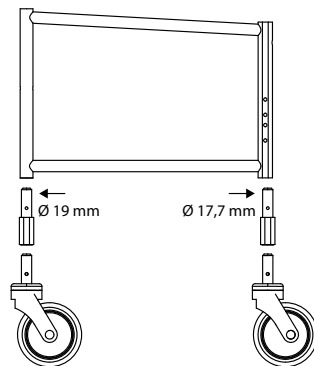


Fig.18

#### Levina 400-2

1. Disassemble the rear wheels (see chapter „Mounting rear wheels on Levina 400-2“) and the swivel wheels.
2. Loosen the rear wheel adapter plates and position them in the lower two frame drill holes (1, Fig. 19).
3. Now mount the rear wheels back in the lower hole of the rear wheel adapter plates.
4. Now mount the two height adapters ( $\varnothing 19$  mm) between the frame and the swivel wheel (2, Fig. 19) and screw them onto the frame.
5. The parking brakes will need to be readjusted after installing the height adapters (see chapter „Mounting the parking brake“).

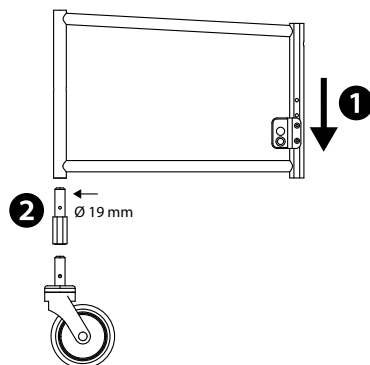


Fig.19

## SHOWER COMMODE CHAIR DIMENSIONS

The dimensions given here refer to the standard configuration of the shower commode chair.

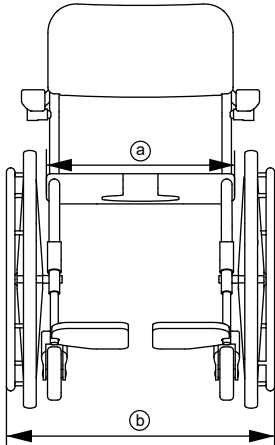


Fig.20



### NOTE

All dimensions taken on textile parts (e.g. back upholstery) are to be understood with a tolerance of  $\pm 10$  mm.

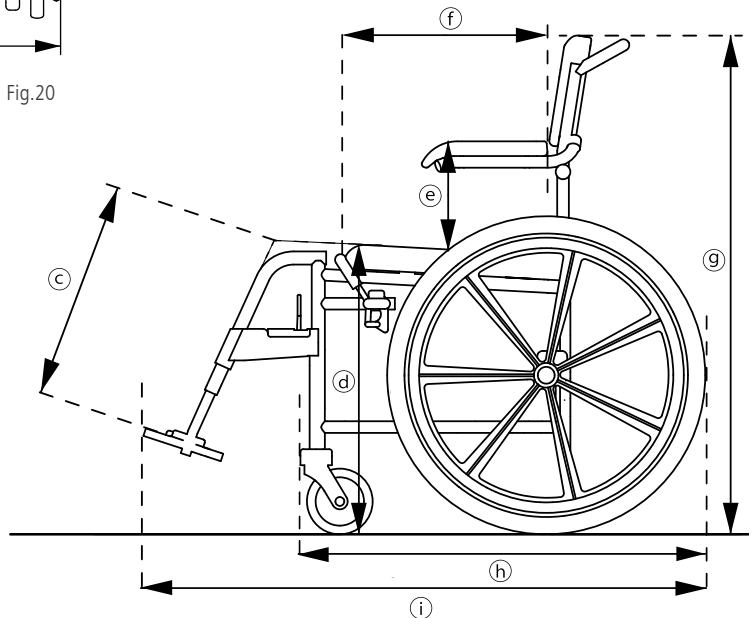


Fig.21

Specifications			Levina 320-2		Levina 400-2	
			Min.	Max.	Min.	Max.
i	Total length with leg rests	mm	885	925	1015	1055
h	Total length without leg rests	mm	630		760	
b	Total width	mm	555		635	
g	Total height	mm	930		945	
	Total weight	kg	11,5		17	
	Static stability towards front	°	10		10	
	Static stability towards rear	°	10		10	
	Static stability sideways	°	10		10	
	Seat angle °	°	1,5		1,5	
f	Effective seat depth	mm	425		425	
a	Effective seat width	mm	435		435	
d	Seat surface height (front edge)	mm	530		530	
	Backrest angle	°	9		9	
	Back height	mm	420		420	
c	Distance from foot plate to seat <sup>2</sup>	mm	325	460	325	460
	Leg-to-seat-surface angle	°	110 (70)		110 (70)	
e	Armrest height	mm	225	235	225	235
	Armrest length from rear frame	mm	250		250	
	Hand rim diameter	mm	-		535	
	Minimum turning diameter	mm	600		870	
	Maximum user weight <sup>1</sup>	kg	120		120	

## PRODUCT TESTS

ISO 17966	Tested according to the requirements and test methods for personal hygiene aids
EN 1021-2	Tested for resistance to ignition by a flame for upholstery materials and plastic components
ISO 10993-5	Tested for toxicity in the material
Testdummy Gewicht	120 kg

<sup>1</sup> Maximum user weight includes any additional load. The weight of the load reduces the maximum user weight.

## FURTHER TECHNICAL INFORMATION

Specifications		Levina 320-2	Levina 400-2
Frame colour		white	
Drive-over dimensions (W x T x H)	mm	345 x 515 x 435	345 x 660 x 435
Armrest (W x L)	mm	53 x 240	
Öffnung der Sitzfläche	mm	190 x 360	
Toilet pail (∅ x height)	mm	220 - 316 x 170	
Toilet pail lid (∅)	mm	289	
Push handle height	mm	920	935
Swivel wheels (∅ x width)	mm "	125 x 35   4,92 x 1,38	
Rear wheel tyre (∅ x width)	mm "	609,6 x 31,75   24 x 1 <sup>1</sup> / <sub>4</sub>	
Leg rests	kg	0,74	
Frame complete incl. armrests	kg	5,45	5,6
Seat surface incl. hygiene insert	kg	2,84	
Rear wheel	kg	0,69	3,3
Front wheel	kg	0,61	0,61
Toilet pail incl. lid	kg	0,25	
Ambient operation temperature		10 C° bis +40 C°	
Ambient storage conditions		0 C° bis 45 C° // 20% bis 75% relative humidity	

## MATERIALS

Frame	aluminium
Backrest upholstery	plastic (PU)
Seat upholstery (schwarz)	plastic (PU)
Armrests	plastic (PU)
Tyre 24" Rad	plastic (PU)
Calf strap	plastic (PVC)
Handgrip parking brake 400-2	plastic (PVC)
Foot plate	plastic (PP)
Hand rims	plastic (PA)
Screws, joints	stainless steel

**Note:** All materials used are corrosion-resistant and latex-free.

## SAFETY INSTRUCTIONS

---

When using the shower commode chair, always observe the following safety instructions to prevent falls, hazardous situations and damage to the shower commode chair:

- ▼ The shower commode chair is only to be used indoors and on a firm, level surface.
- ▼ Always secure the shower commode chair against rolling away, even when not in use.
- ▼ The shower commode chair is not to be used to transport multiple individuals or loads. Only use it for the intended purpose.
- ▼ The shower commode chair must stand securely upright on all four wheels.
- ▼ Always remember that there is a general risk of fingers, other parts of the body, or pieces of clothing getting caught in all the moving parts (leg rests, side elements, toilet pail etc.). For this reason, operate the shower commode chair with the necessary care.
- ▼ When overcoming obstacles, please make sure to use ramps. If the inclination is greater than 10°, there is an increased risk of tipping over in all directions. When there is no user, the shower commode chair can be carried by the frame under the seat. In both cases, ensure that the toilet pail is empty.
- ▼ Tipping danger! Please note that body movements shift the centre of gravity, which can increase the risk of the shower commode chair tipping over.
- ▼ Never exceed the maximum load of 120 kg for users, incl. additional loads and additions.
- ▼ Never use the shower commode chair under the influence of alcohol or other substances that can negatively affect your attentiveness and ability to react!
- ▼ Avoid exposing the shower commode chair to sunlight (e.g. via a window, balcony) or low temperatures for long periods of time, as parts of the product (e.g. frame, leg rests, and side elements) can become very hot (> 41 ° C) or very cold (<0 ° C) and may cause skin injuries.
- ▼ Any severe incidents associated with the product must be reported to the manufacturer and responsible authority.

## SERVICING / MAINTENANCE

---

We recommend performing the inspections listed in the maintenance schedule at regular intervals to ensure that the shower commode chair is always safe to use.

Failure to ensure care and maintenance or insufficient care and maintenance of the commode chair leads to a restriction of liability. The maintenance schedule does not provide any information on the amount of work that will actually need to be performed on the shower commode chair.



### NOTE

As the user, you will be the first to notice any damage. If you notice a fault as described in the maintenance schedule or further defects and functional impairments, contact an authorised specialist dealer immediately. \_\_\_\_\_



### NOTE

The inspections and measures stipulated in the maintenance schedule must be performed by the user or assistant if not otherwise stated. \_\_\_\_\_



### WARNING




Repairs on the shower commode chair must only be performed by specialist shops using DIETZ original spare parts to maintain the operational safety of the shower commode chair. The relevant spare parts catalogue can be found on our website in the information of the product in question. \_\_\_\_\_



### NOTE FOR SPECIALIST DEALER

If the user reports abnormalities on the shower commode chair, please check all the inspection points listed in the maintenance schedule. The checks must also be performed before putting the shower commode chair back into operation and after longer storage periods (> 4 months). \_\_\_\_\_

## MAINTENANCE SCHEDULE

What	Description	monthly	
		before using	
<b>Parking brakes</b> Check for correct function	<ul style="list-style-type: none"> <li>When the parking brakes/total locks are engaged, the wheels must not be able to rotate.</li> </ul>  If the parking brake is damaged, the swivel wheel with total lock or the brake must be replaced by a specialist dealer.	X	
<b>Seats and upholstery</b> Check for contamination/damage	<ul style="list-style-type: none"> <li>If the seat or upholstered parts are dirty, clean them according to the cleaning instructions.</li> <li>Have damaged seats and upholstered parts replaced.</li> </ul>	X	
<b>Moving parts</b> Check for correct function and wear	<ul style="list-style-type: none"> <li>Check all moving parts (leg rests, backrest incl. side elements and toilet pail) to ensure that they function smoothly and without noise.</li> </ul>	X	
	<ul style="list-style-type: none"> <li>The side elements must lock properly and fold away without any play.</li> <li>It must be possible to remove, attach and lock the leg rests without any issues.</li> <li>In the event of functional or surface damage, the components must be replaced by a specialist dealer.</li> </ul>		X
<b>Screw joints</b> Check that they are firmly seated	<ul style="list-style-type: none"> <li>All screw joints must be firmly tightened.</li> </ul>  Self-locking nuts and screws lose their efficacy through being repeatedly released and tightened. Therefore, they must be replaced by an authorised specialist dealer.		X
<b>Wheels</b> Check for correct function and damage	<ul style="list-style-type: none"> <li>The swivel wheels must run in a straight line and swivel smoothly.</li> <li>Have damaged and heavily worn wheels replaced.</li> </ul>	X	
	<ul style="list-style-type: none"> <li>Remove dirt and deposits from all wheels.</li> </ul>		X
<b>Frame, entire</b> Functioning and damage	<ul style="list-style-type: none"> <li>The frame parts and hinges must not be damaged or cracked.</li> <li>Functional and surface defects must be remedied.</li> </ul>		X
<b>Visual inspection</b> check for loose parts, breaks or other damage	 If damage of this type is found, discontinue use of the product, as safe use can no longer be guaranteed.		X

What	Description	monthly before using ↓	
<b>Check entire shower commode chair</b> for dirt	<ul style="list-style-type: none"> <li>The seat and toilet pail are to be cleaned and disinfected after every use.</li> </ul>	x	
	<ul style="list-style-type: none"> <li>Depending on how dirty it is, but at least once a month, the entire shower commode chair must be cleaned (see chapter "Cleaning" and "Disinfection").</li> </ul>		x

## FAULT-FINDING AND RECTIFICATION

What	Possible causes	Measures
The shower commode chair does not move in a straight line.	<ul style="list-style-type: none"> <li>The wheel axles are dirty.</li> </ul>	Remove the dirt.
	<ul style="list-style-type: none"> <li>The swivel wheels are worn out or damaged.</li> <li>The swivel wheels cannot rotate freely.</li> </ul>	Visit an authorised specialist dealer.
The shower commode chair is hard to push.	<ul style="list-style-type: none"> <li>The wheel axles are dirty.</li> </ul>	Remove the dirt.
	<ul style="list-style-type: none"> <li>The fork of the swivel wheels is damaged or the swivel wheel suspension is no longer properly attached.</li> <li>The locking brakes / total locks are damaged.</li> </ul>	Visit an authorised specialist dealer.
Brake function is insufficient and uneven.	<ul style="list-style-type: none"> <li>The locking brakes/ total locks are damaged.</li> </ul>	Visit an authorised specialist dealer.
Squeaking and grinding noises	<ul style="list-style-type: none"> <li>Various causes</li> </ul>	Visit an authorised specialist dealer.

## REPAIR / REPLACEMENT OF A SWIVEL WHEEL

### Only to be performed by specialist staff:

1. Loosen the screw connection of the swivel wheel on the frame tube with a 10 mm open-end spanner.
2. Pull the swivel wheel out by the wheel fork, downwards and out of the frame tube, and insert the new wheel. Finally, screw the new swivel wheel to the frame tube.

## CLEANING

---

To clean the product, use lukewarm water mixed with a mild detergent (without solvents and with a pH value of 5-9). After cleaning, wipe with clear water and then dry the chair with a cloth.

The wheels can be cleaned using a damp brush with soft plastic bristles (do not use a wire brush!).



### WARNING

**Material damages:** Do not use high-pressure cleaners, strong, corrosive chemicals or scouring agents for cleaning purposes. \_\_\_\_\_

## DISINFECTION

---

Wipe down or spray all components thoroughly with commercially available surface disinfectant. Take particular care to disinfect surfaces that come into frequent contact with hands/skin, such as the seat surface, toilet pail, seat cushion, and backrest.

Please only use the following disinfectants; use of other chemicals might damage the product.

- ▼ Aldehyde-free disinfectants based on alcohol (max. 70% propylalcohol)



### WARNING

**Material damages:** During disinfection, observe the use and application instructions issued by the cleaning agent / disinfectant manufacturer.

**Risk of infection:** The commode chair must be disinfected before each new user. \_\_\_\_\_

## HANDING OVER AND REUSE

---

Your product is suitable for transfer to/reuse by others. The number of times it can be reused depends on the material wear conditions and the functional capabilities of the respective product.

When handing over the shower commode chair or re-using it, please remember to hand over to the new user or the specialist dealer all the technical documents necessary for safe handling.

Before being re-used, the shower commode chair must be cleaned and disinfected, and must be checked for damage and approved by a specialist retailer.

To do this, all test points listed in the maintenance plan must be checked on the product.

## STORAGE

---

To store the shower commode chair, ensure that the chair is stored in a dry place protected against direct, strong sunlight and at a temperature of 0°C to +45°C.

Do not activate the parking brakes or total locks. Secure the wheelchair against rolling away unintentionally.

Removable parts (backrest, seat upholstery and leg rests) can be removed and stored in a safe place. After longer periods of storage (> 4 months), please check all the inspection points on the shower commode chair listed in the maintenance schedule before reusing/redeploying the product.



### WARNING

Do not store the shower commode chair near a heat source and do not place any objects on the shower commode chair during storage.

---

## DISPOSAL














---

If you no longer need the shower commode chair, please contact your specialist dealer. They will then pick up the shower commode chair and either dispose of it properly or make further use of it. Otherwise, please take the product to your local waste disposal facility.

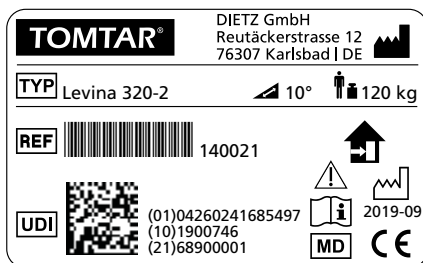
## PRODUCT LABELLING

Product label and warning signs on the shower commode chair must remain legible. Immediately replace illegible or missing stickers. The serial number sticker is very important for identifying the product, it is placed on the product label, which is placed on the lower lateral frame tube. It must not be removed.

Markings on the product:

	Trademark
	TYPE/Model
	REF = Item number
	UDI = Unique Device Identifier (01) UDI-DI / GTIN (10) Order number (21) Serial number
	Manufacturer/manufacturer's trademark/contact address
	Maximum load capacity/load incl. payload
	Date of manufacture
	Maximum gradient that can be safely negotiated with the commode chair.
	The commode chair is only approved for indoor use.
	Follow the user manual
	Caution: Note the safety information in the user manual!
	Medical Device
	CE marking

Product label



Exemplary „Levina 320-2“

Fig.22

## WARRANTY

---

Warranty services refer to all product defects which are verifiably attributable to material or manufacturing flaws. The warranty period is 24 months as of receipt of notification of readiness for shipping, but following delivery at the latest. Damage which has occurred due to natural wear, intent, and negligent or improper operation or usage is excluded from the warranty obligation. This also applies to the use of unsuitable care products, lubricating oils or greases.

## LIFETIME

---

The expected product service life is five years when used daily and if used as intended. This assumes compliance with the maintenance and safety specifications stipulated in this manual. The indicated life span does not constitute additional guarantee.

## LIABILITY

---

The DIETZ GmbH is only liable if the product is used under the specified conditions and for the specified purpose. We recommend that the products be handled appropriately and cared for according to the instructions. DIETZ GmbH is not liable for damage caused by components and spare parts that have not been approved by DIETZ GmbH. Repairs must only be carried out by authorised specialist retailers or by the manufacturer itself.



# TOMTAR®



Product group: Bathroom & Toilet  
Product: Levina 320-2 / Levina 400-2  
Shower commode chair

User manual Version 3.0.0 EN

Last update 2020-08 (BLA)

## **DIETZ GmbH**

Reutäckerstraße 12  
76307 Karlsbad  
Germany

Tel.: +49 7248.9186-0

Fax: +49 7248.9186-86

[info@dietz-reha.de](mailto:info@dietz-reha.de)

[www.dietz-group.de](http://www.dietz-group.de)

TOMTAR is a registered trademark belonging to DIETZ GmbH.

TOMTAR products are sold by DIETZ GmbH.

Misprint, falsities, price and product changes reserved.  
© DIETZ GmbH, Karlsbad  
Reproduction, either in part or in whole, only with written permission of  
DIETZ GmbH, Karlsbad.